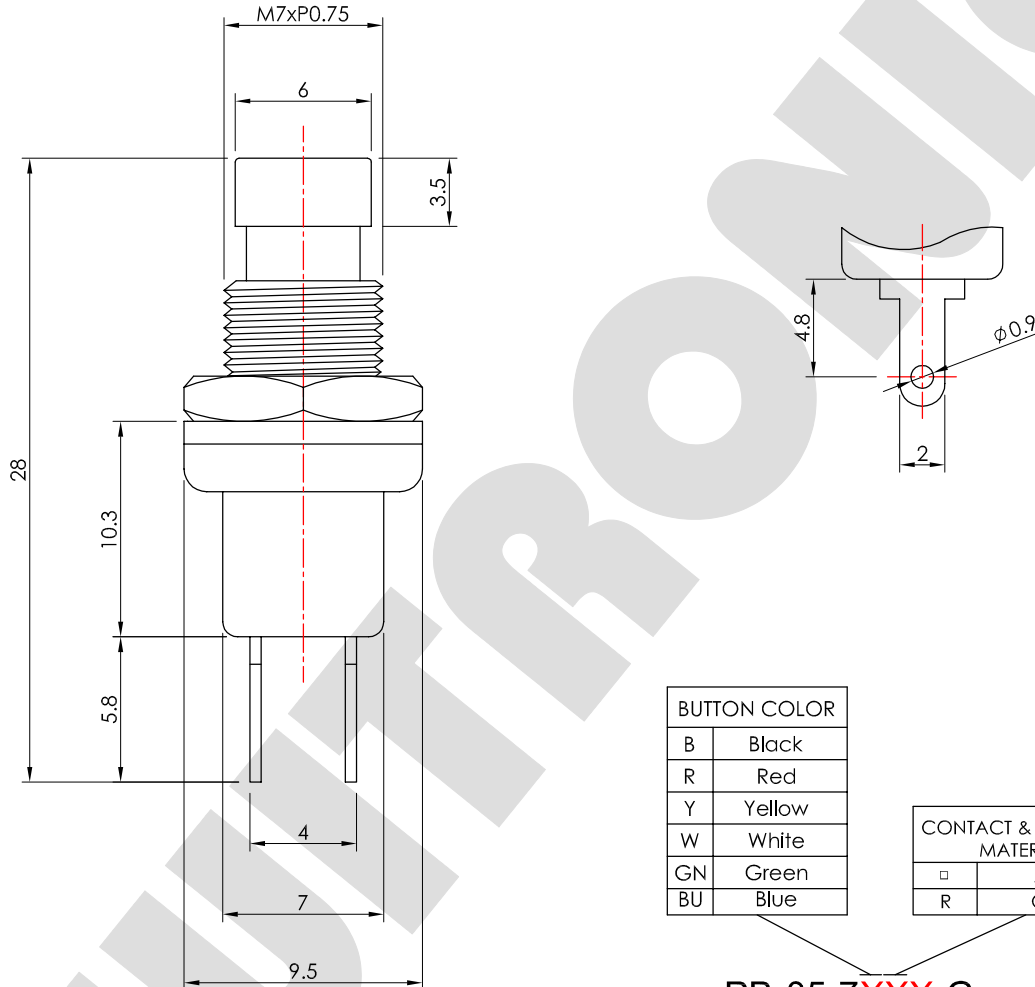


本圖面若與目錄之規格尺寸不符，以本圖面規格尺寸為主。  
Below is our main specification if different from catalog.

RoHS compliance



BUTTON COLOR	
B	Black
R	Red
Y	Yellow
W	White
GN	Green
BU	Blue

CONTACT & TERMINAL MATERIAL	
□	Silver
R	Gold

PB-05-7XXX-G

△	NUTS & WASHER	RoHS compliance
□	SEPARATE PACKING	
1	FIXED ON S/W	

**SPECIFICATION**

**Rating:** 1A 125V AC / 250V AC.  
**Circuit:** OFF - (ON).  
**Contact resistance:** 30mΩ Max.(initial)  
**Insulation resistance:** 500V DC 100MΩ Min.  
**Dielectric strength:** 1,000V AC 1 minute.  
**Minimum load:** 100mA 10V DC.(reference only)  
**Electrical life:** 5,000 Cycles Min.  
**Mechanical life:** 10,000 Cycles Min.  
**Soldering temperature:** 240°C Max for 3 Sec.  
**Note:** Not washable, don't immerse into epoxy and organic solvent.



V2.6	無		
V2.5	△	新增Nuts & Washer 選項	2010.12.30
V2.4	△	修改Button Color 顏色選項	2008.04.09
版本 VER.	符號 SYMBOL	修改內容 ALTERATION	更新日期 DATE

產品 PRODUCT		Pushbutton Switch		型號 MODEL NO.		PB-05-7B1-G	
比例 SCALE	3 : 1	單位 UNIT	mm	<p><b>一綺電子企業股份有限公司</b>                  總公司：110 台北市信義路四段415號13樓之3                  13F-3 NO. 415, SEC. 4, HSIEN YI ROAD, TAIPEI, TAIWAN                  TEL : 886-2-27290229 (Rep.) FAX : 886-2-27582086                  URL : http://www.switronic.com.tw                  E-MAIL : switches@ms36.hinet.net</p>			
公差 TOLERANCE	.X=±0.3mm, .XX=±0.2mm						
製圖 DRAWN BY	核圖 CHECKED BY	主管 APPROVED BY					
Johnny Chang	Neil Chen	Margaret Lee					