

MATERIAL AND FINISH AS BELOW	
A Housing	LCP UL94V-0 Black
B Contact	Phosphor Bronze C5210, Gold Flash
C Shell	Stainless Steel SUS304, Nickel Plating Gold Flash Plating on Solder Tail

SPECIFICATION:

1. ELECTRICAL

- 1.1 Current Rating: **0.5A** per pin
- 1.2 Voltage Rating: **30V AC/DC**
- 1.3 Contact Resistance: **60mΩ** Max
- 1.4 Insulation Resistance: **500MΩ**
- 1.5 Dielectric Withstanding Voltage: **500VAC**

2. MECHANICAL

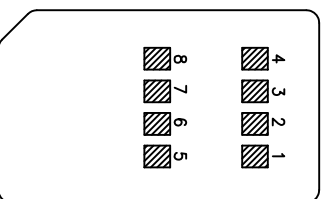
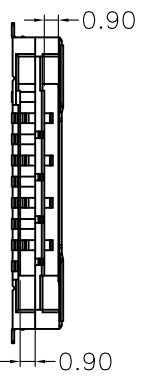
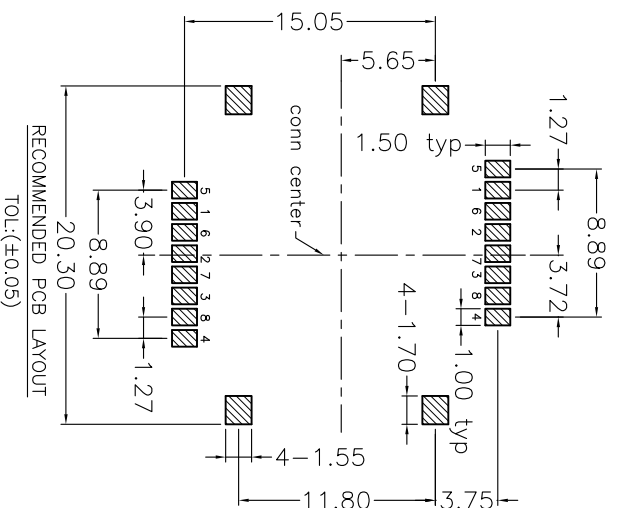
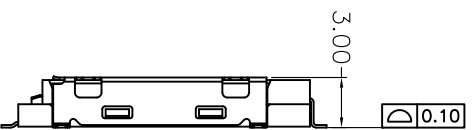
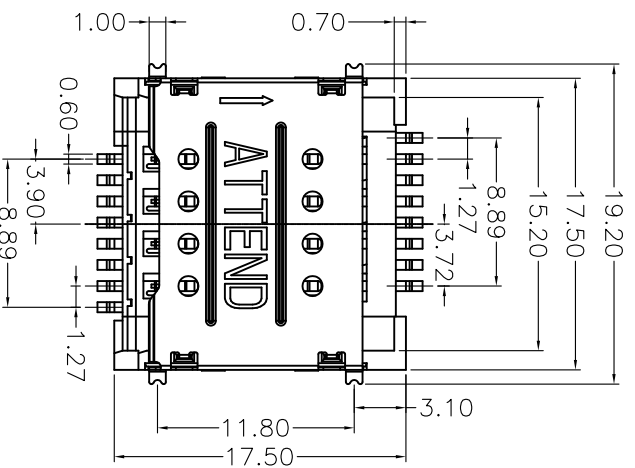
- 2.1 Durability: **5000 Cycle**

3. ENVIRONMENTAL

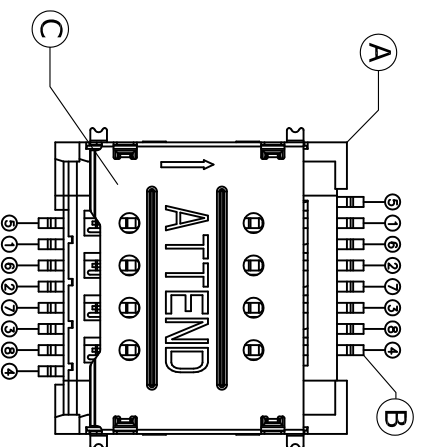
- 3.1 Operating temperature range: **-40°C ~ +85°C**
- 3.2 Storage temperature range: **-40°C ~ +85°C**

4. SOLDER ABILITY

- 4.1 Recommended IR Reflow Temperature: **260°C 10sec**



- 1:VCC
- 2:RST
- 3:CLK
- 4:RESERVED
- 5:GND
- 6:VPP
- 7:I/O
- 8:RESERVED



△	Revised Voltage Rating SPEC.	2014/11/25
△	Revised to New Drawing Frame	2012/10/22
REV.	DESCRIPTION	DATE
UNLESS OTHERWISE SPECIFIED TOLERANCE		
ANGLES	ANG.	±5°
LINEAR	0.	±0.3
	0.0	±0.25
SCALE	AS SHOWN	UNIT: mm
DRAWN	FROS	2014/11/25
CHECKED	RON	2014/11/25
APPROVED	Ken	2014/11/25
DRAWN NAME: SIM Card Socket Dual Port Push-Pull Type		PRODUCT NO: 115H-BA00
www.attend.com.tw		FILE NAME: 115H-BA00_B_8
SIZE: A4		SHEET: 1/1

