

## Data sheet

Commercial Art.No.: 92.031.4453.1

Device connector GST18I3S B2 SW

GST18i3 built-in component, 3 pole, female with screw connection, coding mains 250 V, 20 A, coding color black



Commercial Art.No.	92.031.4453.1
EAN	4015573567177
Order Unit	1

Certificates / Approvals



## Technical data

### General

Rated current	20 A
Rated voltage	250 V
Pollution degree	2
Mechanical coding	Code 1
Rated impulse voltage	4 kV
Lockable	self-locking (unlocking by tool)
Color of coding/ contact carrier	black
Marking of poles	L, N, PE

### Connection Data

Connection cross section solid mm <sup>2</sup> max.	4 mm <sup>2</sup>
Connection cross section solid mm <sup>2</sup> min.	0.75 mm <sup>2</sup>
Connection cross section fine stranded mm <sup>2</sup> max.	4 mm <sup>2</sup>
Connection cross section fine stranded mm <sup>2</sup> min.	0.75 mm <sup>2</sup>
Terminations per pole	2
Wire strip length	7 mm

### Model

Model	female
Connection type	screw connection
Angle of plug	straight
Degree of protection (IP)	IP20
Remark to type of connection	Fine stranded wires 4 mm <sup>2</sup> only without ferrules

built-in component	Built-in component/connector
--------------------	------------------------------

### Material

Housing material	Polyamide
halogen free	yes
Contact material	CuZn
Fire load	0.046 kWh
Insulation components continuous temperature	100 °C
Surface finish	Tin-plated

### Dimensions

Length	33.5 mm
Width	28.2 mm
Height	23.5 mm

### Classification

ECLASS 11	
ECLASS 8.1	27440602
ETIM 7.0	EC002566
ETIM 6.0	EC002566
ETIM 5.0	EC002566
ETIM 4.0	EC002566

### Product compliance

ROHS conformity status	Compliant/Exempted
ROHS exceptions	III-6(c)
REACH-SVHC conformity status	Duty-To-Declare
REACH-SVHC substances	Lead
REACH-SVHC CAS numbers	7439-92-1

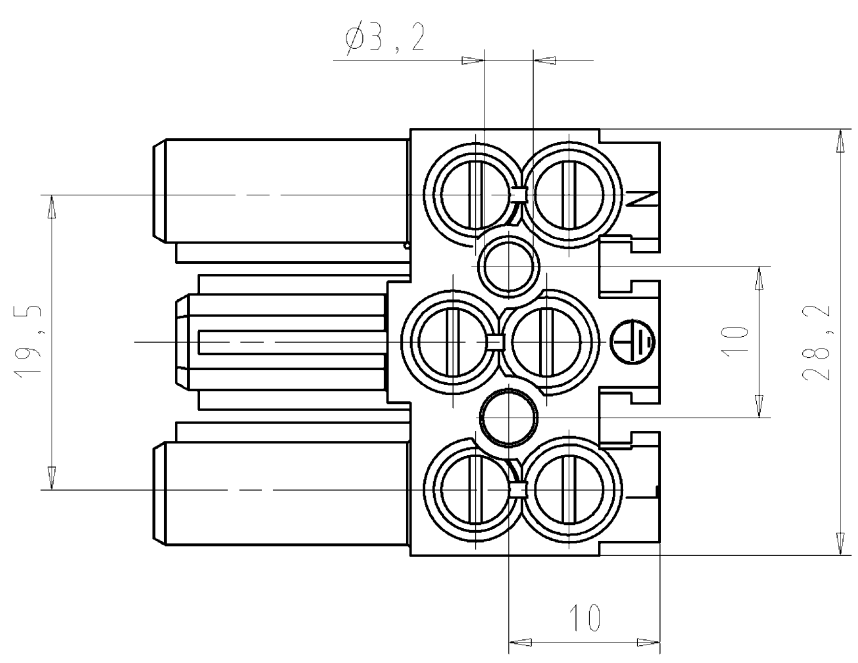
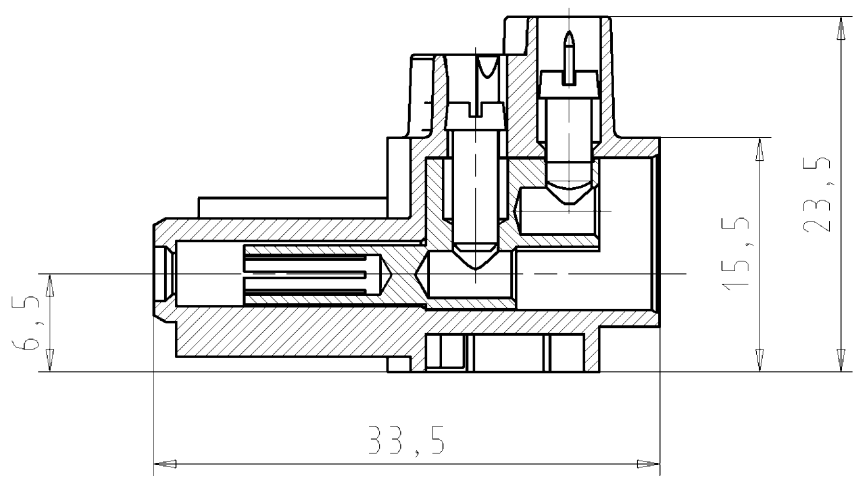
### Accessories

Commercial Art.No.:	Article-type description:	Description:
99.004.8210.0	strain relief GST18i3 HOCH WS	geis® strain relief for device connectors GST18i3 with screw connection; no integrated locking; use with separate locking or snap-in parts; colour: white
99.005.8210.0	strain relief GST18i3 HOCH SW	geis® strain relief for device connectors GST18i3 with screw connection; no integrated locking; use with separate locking or snap-in parts; colour: black
05.561.3653.0	cover cap GST18i3VS B WS	Cover piece for female GST18i3, white
05.561.3653.1	cover cap GST18i3VS B SW	Cover piece for female GST18i3, black
05.564.5353.0	cover cap GST18i3/4/5 SW	Cover piece 12 pole black for female parts GST18i3-6
05.564.5353.2	cover cap GST18i3/4/5 WS	Cover piece 12 pole white for female parts GST18i3-6
05.594.4250.0	cover cap ST18/3B + GST18i3 ST WS	
05.594.4253.0	cover cap ST18/3B + GST18i3 ST WS	
34.300.1122.1	Mounting sheet GST18 3-10 POLIG	Mounting bracket to fix one or two GST18 device connectors. 3-10 poles possible. Can be fixed to the housing with screws or rivets.

A  
B  
C  
D  
E  
F

These dimensions will be especially checked at delivery  
Only inspection dimensions  
With /E marked dimensions are only valid for internal use

Diese Maße werden bei Abnahme besonders geprüft  
Ausschließlich Prüfmaße  
Mit /E gekennzeichnete Maße sind nur für interne Zwecke gültig



Weitere Daten siehe Katalog  
further data see catalog

Teile-Nr. part-no.	Farbe colour	Typ type
92.031.4453.0	weiß white	GST1813S B2 WS
92.031.4453.1	schwarz black	GST1813S B2 SW

Tolerierung Size ISO 14405(☉)/Tolerance system Size ISO 14405(☉).  
(This ISO-standard describes the envelope principle. According to the envelope principle the deviations of form and parallelism are limited by the size tolerances).

ja/yes  Stoffverbots- und Deklarationsliste nach UU-TQM-05/03 ist einzuhalten.  
Conformity with Wieland document UU-TQM-05/03 (list of prohibited / declarable hazardous substances) to be declared!

Freitoleranz nach  
General tolerance

CAD - Zeichnung, keine manuellen Änderungen  
CAD - drawing, no manual modifications allowed

1. Verwendung: -  
First Use:

Blatt: 1 von 1  
Sheet: 1 of 1

	/		Werkstoff/Material	2004	Tag/Date	Name	Zeichnung Nr./Drawing No.	Index
	/			gezeichnet drawn	07.12.	Treschan		
	/	Maßstab/Scale 2:1	Ersatz für/Replacement for: -	geprüft checked	-	-	Maße in mm/Dimensions are in mm	
	/			Normgepr. Stand., check	-	-		
	/	Vol.	mm <sup>3</sup> Oil./Surf.	mm <sup>2</sup>				
	/		Type GST1813S B2 WS/SW	Benennung/Tittle BUCHSENTE IL female connection 250V AC, 20A, 2,5qmm				
a	07.01.2013/				Elektrische Verbindungen			
Index	Datum / Blatt Date / Sheet							
Änderung/Revision								

Weitergabe sowie Vervielfältigung dieses Dokuments, Verwertung und Mitteilung seines Inhalts sind verboten, soweit nicht ausdrücklich gestattet.  
The reproduction, distribution and utilization of this document as well as the communication of its contents to others without express authorization is prohibited.