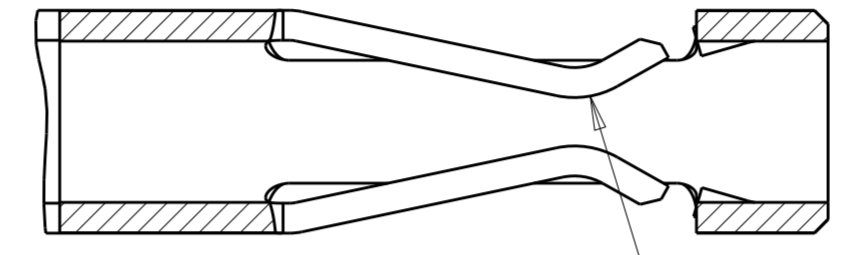
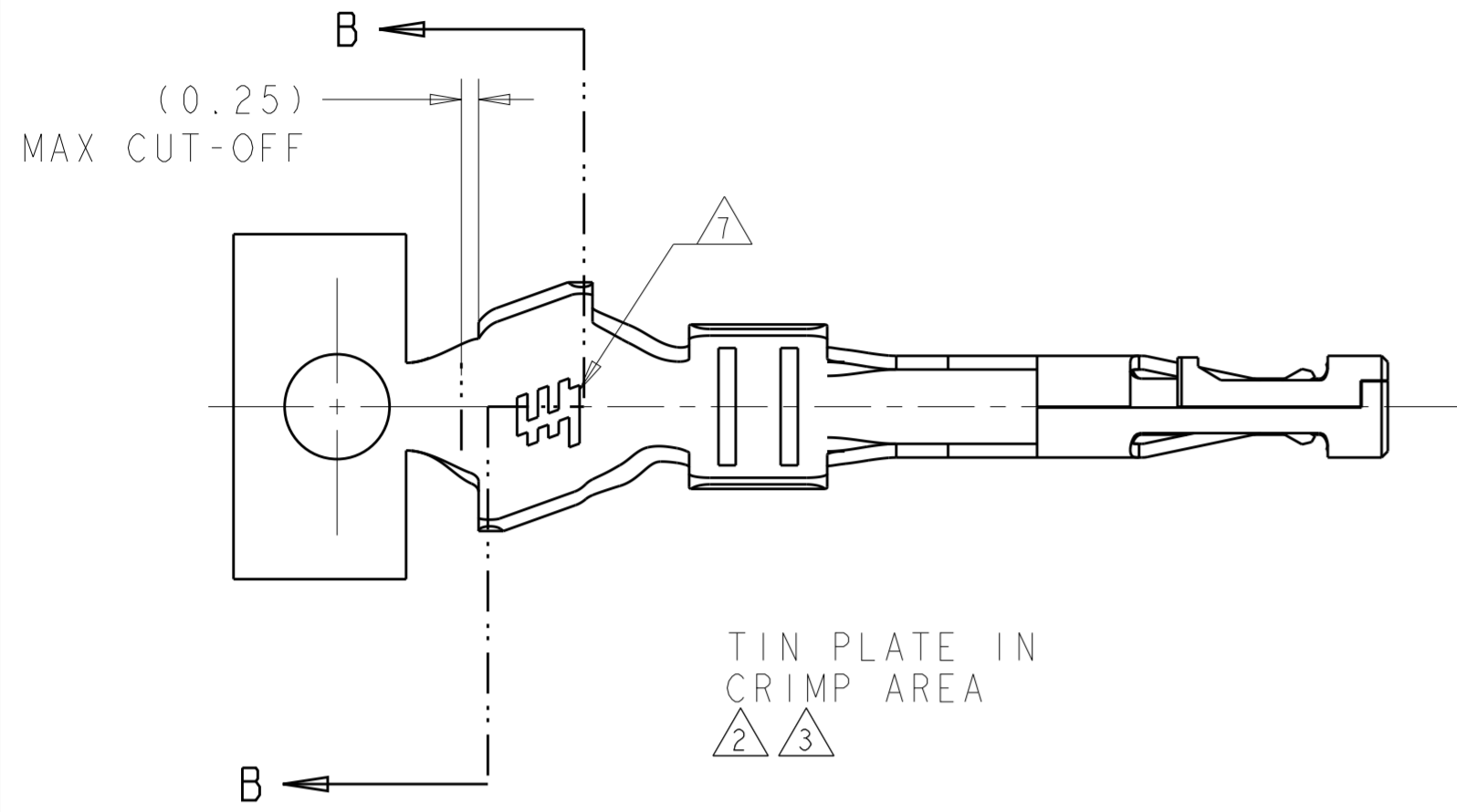
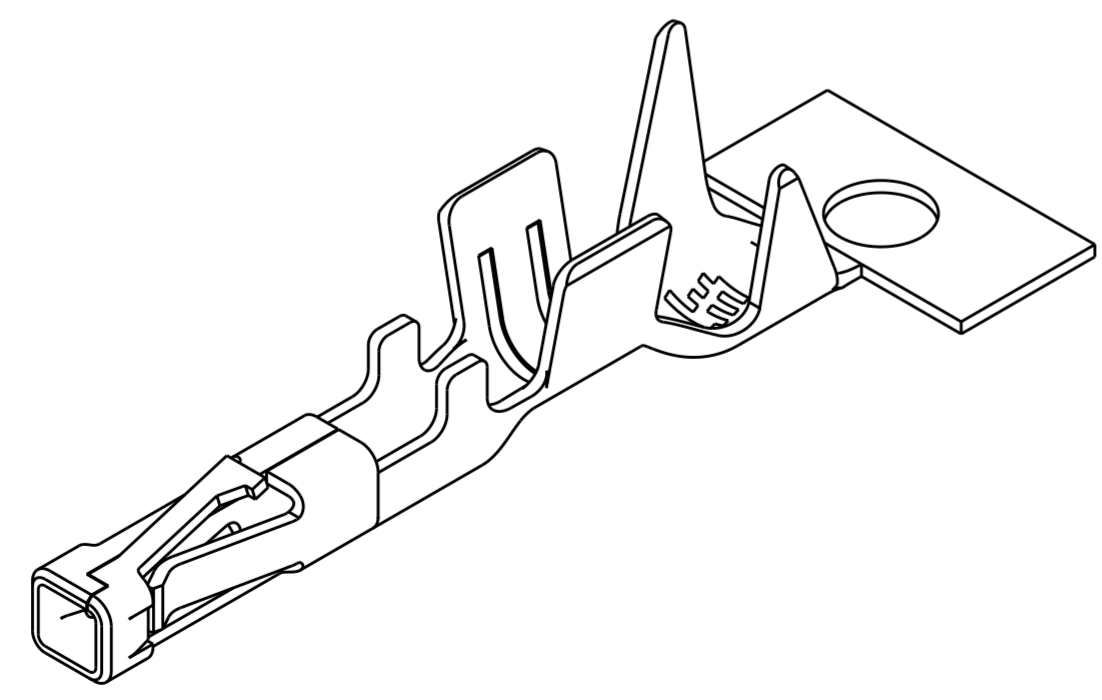
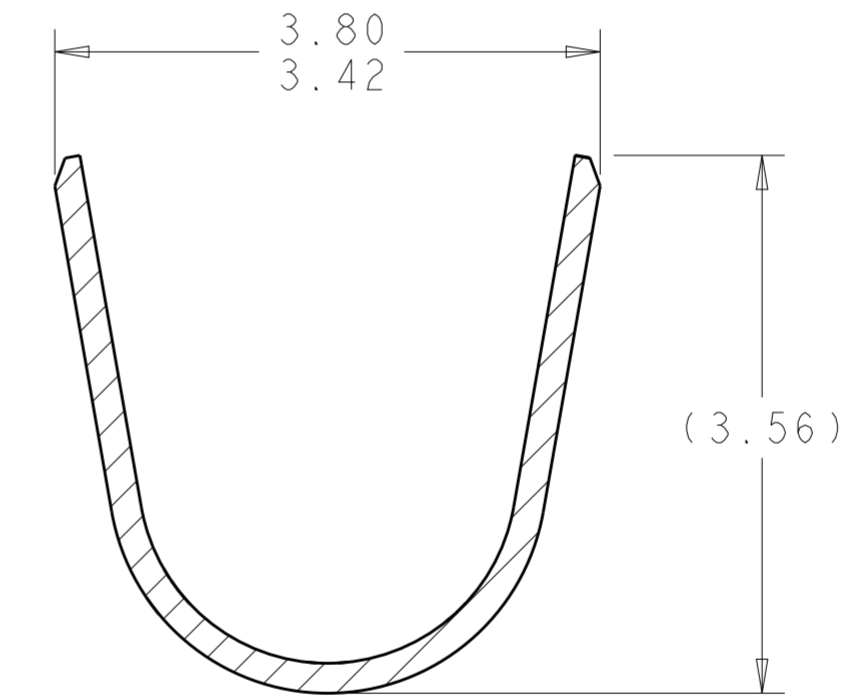
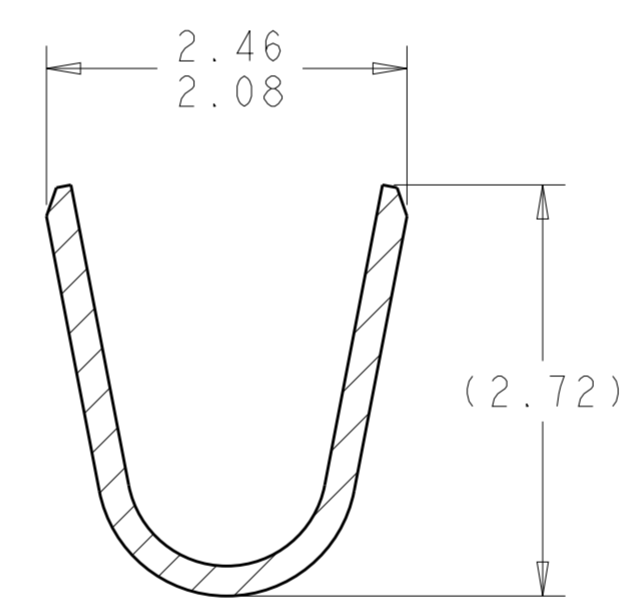
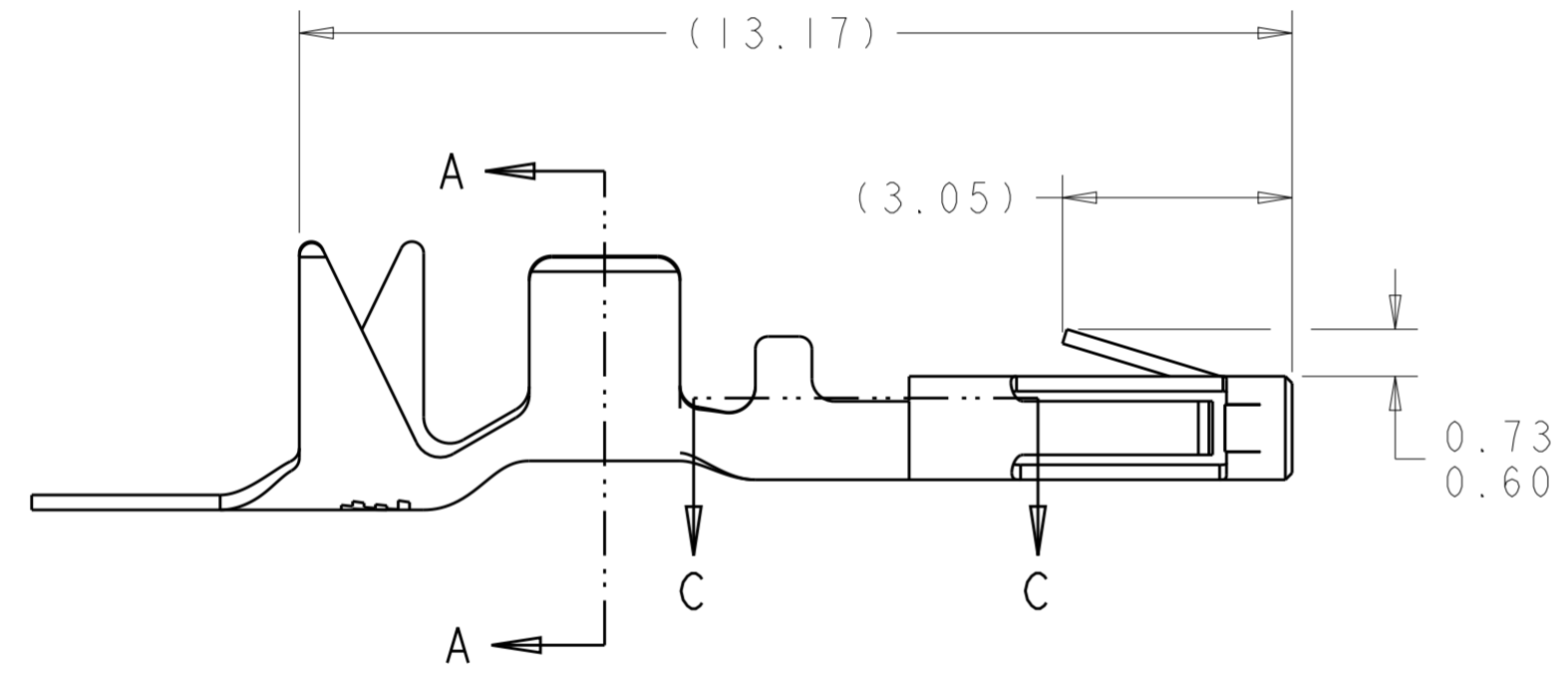


THIS DRAWING IS UNPUBLISHED. RELEASED FOR PUBLICATION 20
 © COPYRIGHT 20 BY TYCO ELECTRONICS CORPORATION. ALL RIGHTS RESERVED.

LOC		DIST		REVISIONS			
P	LTR	DESCRIPTION	DATE	DWN	APVD		
	A	REVISED PER ECO-09-012256	22MAY2009	HMR	SM		
	AI	ECO-19-006909	03MAY2019	AP	WS		



- ① PHOSPHOR BRONZE, 0.2 THK REF.
- ② 0.000381 MIN THK GOLD STRIPE IN CONTACT AREA, 0.00127 MIN BRIGHT TIN PLATE IN CRIMP AREA, 0.00127 MIN NICKEL PLATE ALL OVER.
- ③ 0.000762 MIN THK GOLD STRIPE IN CONTACT AREA, 0.00127 MIN BRIGHT TIN PLATE IN CRIMP AREA, 0.00127 MIN NICKEL PLATE ALL OVER.
- 4. WIRE RANGE : 22 - 18 AWG
- 5. INSULATION RANGE : \varnothing 1.50 - 2.79
- ⑥ 0.0381 MIN THK BRIGHT TIN PLATE, LUBRICATED
- ⑦ TYCO ELECTRONICS LOGO LOCATED APPROXIMATELY AS SHOWN.



③	2008625-3
②	2008625-2
⑥	2008625-1
FINISH	PART NUMBER



THIS DRAWING IS A CONTROLLED DOCUMENT FOR TYCO ELECTRONICS CORPORATION. IT IS SUBJECT TO CHANGE AND THE CONTROLLING ENGINEERING ORGANIZATION SHOULD BE CONTACTED FOR THE LATEST REVISION.

DIMENSIONS:	TOLERANCES UNLESS OTHERWISE SPECIFIED:	DWN	03APR2008	Tyco Electronics Harrisburg, PA 17105-3608	
mm	0 PLC ± 1 PLC ± 2 PLC ±0.13 3 PLC ± 4 PLC ±	CHK	03APR2008		
	ANGLES ±1° FINISH	APVD	28MAY2008		
		PRODUCT SPEC	108-1836		
MATERIAL	SEE NOTES	APPLICATION SPEC	114-13000	NAME	CONTACT, RECEPTACLE, CRIMP SNAP-IN MICRO MATE-N-LOK(TM) 22-18 AWG
		WEIGHT	-	SIZE	A200779
		CUSTOMER DRAWING		CAGE CODE	C-2008625
				DRAWING NO	
				RESTRICTED TO	
				SCALE	10:1
				SHEET	1 OF 1
				REV	AI