

Data sheet

Commercial Art.No.: 92.969.0158.1

Connector GST1816S B1NZR1V SWPB

Connector GST1816, 6 pole, female, screw connection, 250 V, 20 A, colour of coding: pastel blue/black, colour of housing: black



Commercial Art.No.	92.969.0158.1
EAN	4015573645349
Order Unit	1

Certificates / Approvals



Technical data

General

Rated current	20 A
Rated voltage	250 V
Rated impulse voltage	4 kV
strain relief	yes
Pollution degree	2
Mechanical coding	yes
Lockable	self-locking (unlocking by hand)
Color of coding/ contact carrier	pastel blue/black
Marking of poles	3, 2, 1, N, PE, L
Color of housing inclusive strain relief	black

Connection Data

Cable diameter max.	12 mm
Cable diameter min.	10 mm
Connection cross section solid mm ² max.	4 mm ²
Connection cross section solid mm ² min.	0.75 mm ²
Connection cross section fine stranded mm ² max.	4 mm ²
Connection cross section fine stranded mm ² min.	0.75 mm ²
Terminations per pole	1

Model

Model	female
Connection type	screw connection
Degree of protection (IP)	IP20

Material

Housing material	Polyamide
halogen free	yes
Contact material	CuZn
Fire load	0.218 kWh
Insulation components continuous temperature	100 °C
Surface finish	Tin-plated

Dimensions

Length	62.5 mm
Width	56.4 mm
Height	25 mm

Classification

ECLASS 11	
ECLASS 8.1	27440605
ETIM 7.0	EC002560
ETIM 6.0	EC002560
ETIM 5.0	EC002560
ETIM 4.0	EC002560

Product compliance

ROHS conformity status	Compliant/Exempted
ROHS exceptions	III-6(c)
REACH-SVHC conformity status	Duty-To-Declare
REACH-SVHC substances	Lead
REACH-SVHC CAS numbers	7439-92-1

Accessories

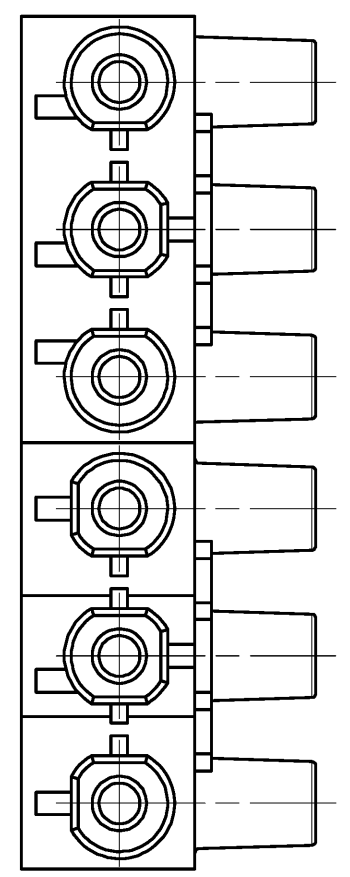
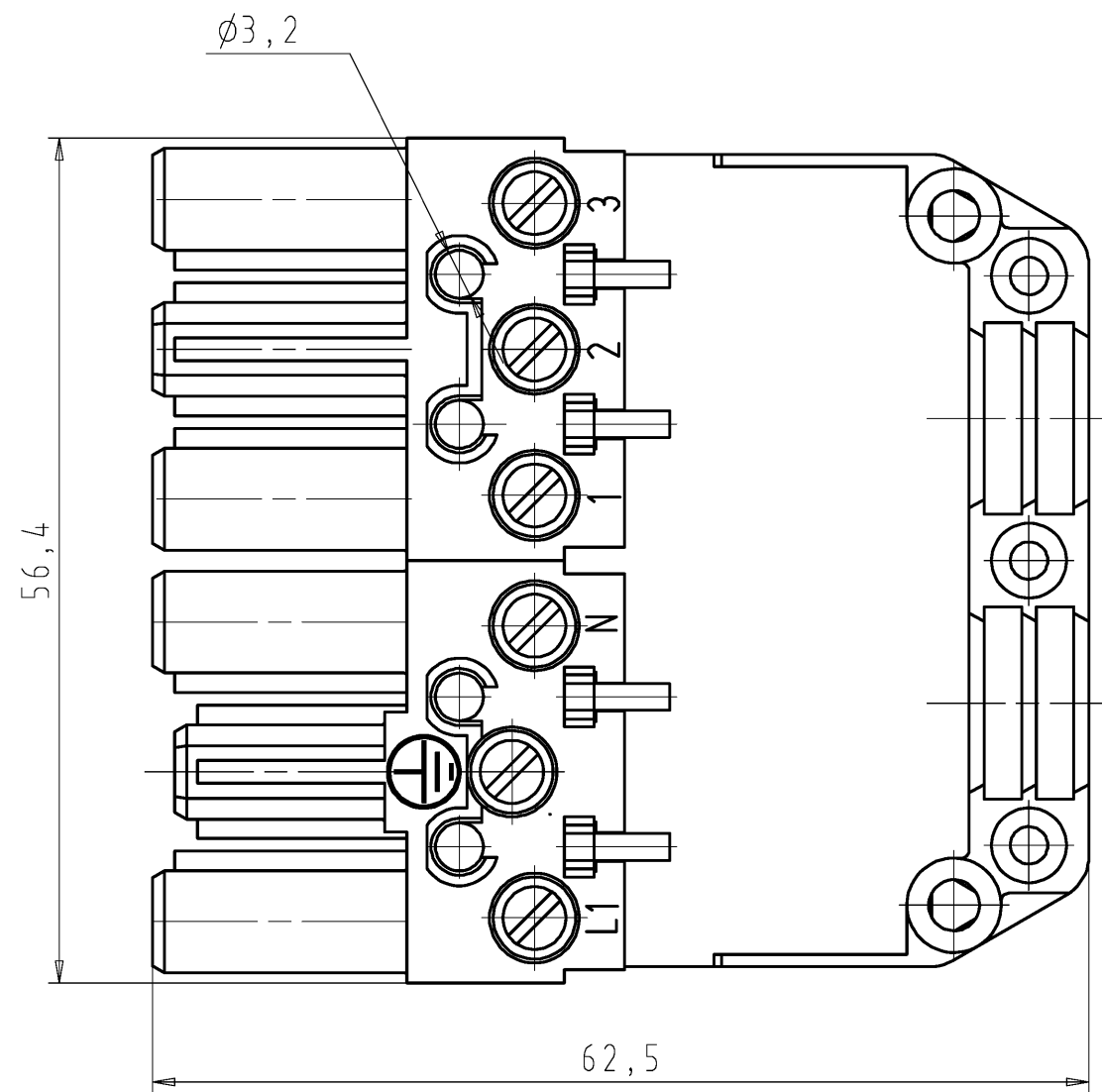
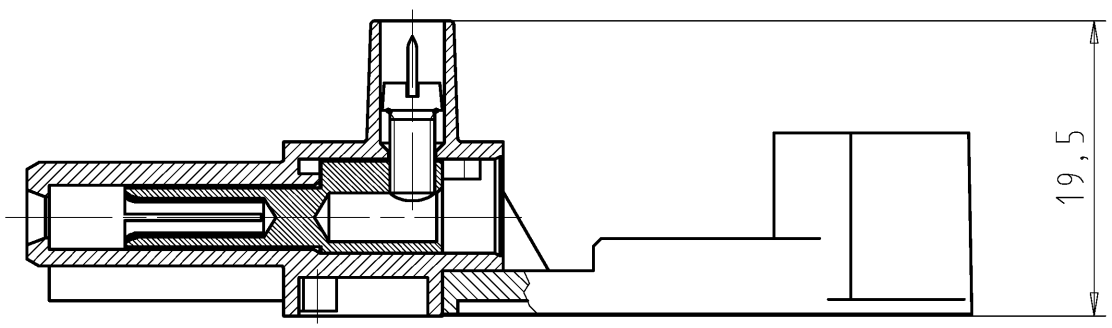
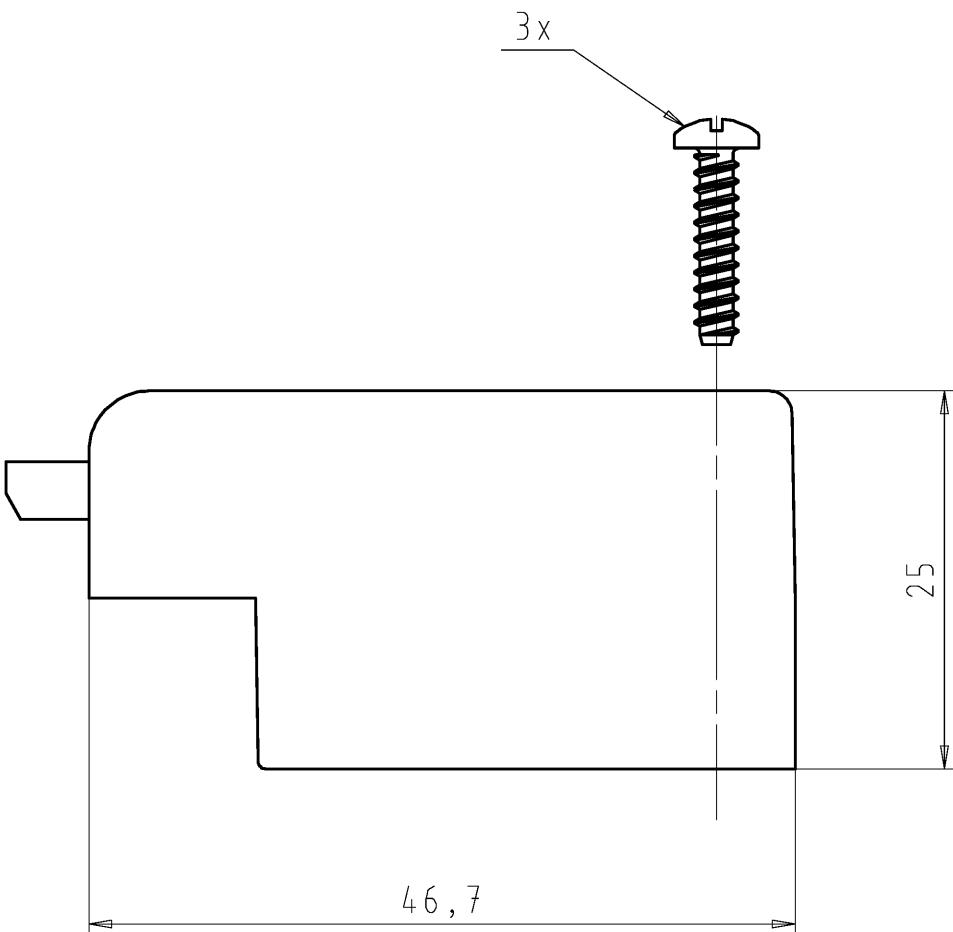
Commercial Art.No.:	Article-type description:	Description:
05.589.5853.0	Lock GST18/ST18 MANUELL WS	geis® locking hook to lock flat GST18/ST18 male connectors with high female connectors. Manual release. For GST18i6 2 parts necessary. Colour: White.
05.589.5853.1	Lock GST18/ST18 MANUELL SW	geis® locking hook to lock flat GST18/ST18 male connectors with high female connectors. Manual release. For GST18i6 2 parts necessary. Colour: Black.
05.564.5353.0	cover cap GST18i3/4/5 SW	Cover piece 12 pole black for female parts GST18i3-6
05.564.5353.2	cover cap GST18i3/4/5 WS	Cover piece 12 pole white for female parts GST18i3-6
06.562.0753.1	locking bracket GST18i6 SW	geis® locking clip for the flat GST18i6-system. To lock flying connections and distributors or PCB-parts with flat connectors. Colour: Black.

Fits with

Commercial Art.No.:	Article-type description:	Description:
92.968.0158.1	Connector GST18i6S S1NZR1V SWPB	Connector GST18i6, 6 pole, male, screw connection, 250 V, 20 A, colour of coding: pastel blue/black, colour of housing: black

These dimensions will be especially checked at delivery
Only inspection dimensions
With /E marked dimensions are only valid for internal use

Diese Maße werden bei Abnahme besonders geprüft
Ausschließlich Prüfmaße
Mit /E gekennzeichnete Maße sind nur für interne Zwecke gültig



Weitere Daten siehe Katalog
further data see catalog

Tolerierung Size ISO 14405 (E) / Tolerance system Size ISO 14405 (E). (This ISO-standard describes the envelope principle. According to the envelope principle the deviations of form and parallelism are permitted by the size tolerances).				ja/yes <input checked="" type="checkbox"/> Stoffverbots- und Deklarationsliste nach WN 5020.010 ist einzuhalten. Conformity with Wieland document WN 5020.010 e (list of prohibited / declarable hazardous substances) to be declared!			
Freitoleranz nach - General tolerance		CAD - Zeichnung, keine manuellen Änderungen CAD - drawing, no manual modifications allowed		1. Verwendung: - First Use:		Blatt: 1 von 1 Sheet: of 1	
/		Werkstoff/Material		2014 Tag/Date Name		Zeichnung Nr./Drawing No. Index	
/		/		gezeichnet drawn 27.11. Nagengast		92.969.0158.1 01K	
/ Maßstab/Scale		/		geprüft checked - -		Maße in mm/Dimensions are in mm	
/ 2:1		/		Normgepr. Stand. check - -			
/ Vol. mm ³		/ OfI./Surf. mm ²		Ersatz für/Replacement for: -			
/		/		Type		Benennung/Title	
/		/		GST1816S		BUCHSENTEIL/ FEMALE CONNECTOR	
Index		Datum / Blatt Date / Sheet		B1 NZR1V SWPB		mit Zugentlastung/with strain relief 250/400V AC, 20A, 2,5qmm	
Änderung/Revision		/					

Weitergabe sowie Vervielfältigung dieses Dokuments, Verwertung und Mitteilung seines Inhalts sind verboten, soweit nicht ausdrücklich gestattet.
The reproduction, distribution and utilization of this document as well as the communication of its contents to others without express authorization is prohibited.