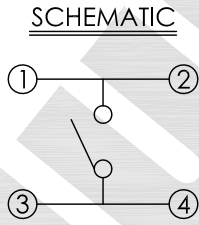
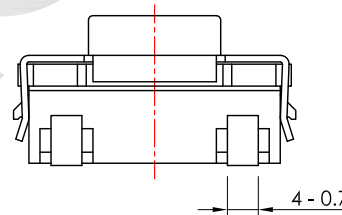
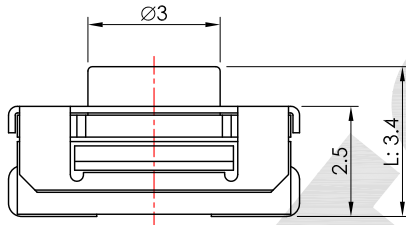
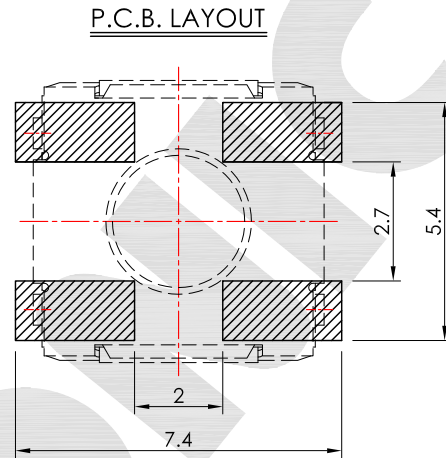
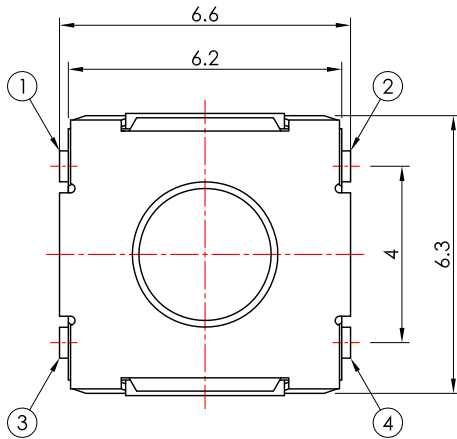


\*開關產品未經SWITRONIC同意，請勿拆解，否則無法負品質及安全責任。  
 Please do not decompose the switch without any permission from SWITRONIC,  
 otherwise the quality and safety responsibility could not be guaranteed.  
 \*本圖面若與目錄之規格尺寸不符，以本圖面規格尺寸為主。  
 Below is our main specification if different from catalog.

RoHS compliant



STEM COLOR	
<input type="checkbox"/>	Blue
W	White

RoHS compliant

IT-1158XX-XXXG-G

MODEL NO.	L	OPERATING FORCE
<input type="checkbox"/>	3.4	160, 250, 350
A	5.1	
B	4.3	
D	3.1	



**SPECIFICATION**

**Rating:** 50mA 12V DC.  
**Function:** OFF-(ON).  
**Travel:** 0.3±0.2mm.  
**Contact resistance:** 100mΩ Max.(initial)  
**Operating force:** 160±50g.  
**Minimum load:** 10mA 12V DC.  
**Life:** 100,000 Cycles.  
**Soldering temperature:** 250°C Max. for 3 seconds.  
**Soldering time:** 1 time only.  
**Note1:** Unwashable, don't be immersed by epoxy and organic solvent.  
**Note2:** Please do not scale the drawing comparing to real product and kindly measure the size of real product.

**STORAGE METHOD**

After opening the bag of the switches, please include a desiccant into the bag, then seal it to avoid product oxidation.  
 打開包裝袋後，請在袋中加入乾燥劑並「密封」，避免產品氧化。

EV2.1	無	改版	2020.06.11
EV2.0	無	新繪製	2019.11.12
版本 VER.	符號 SYMBOL	修改內容 ALTERATION	更新日期 DATE

產品 PRODUCT	Tact Switch	型號 MODEL NO.	IT-1158-160G-G
---------------	-------------	-----------------	----------------

比例 SCALE	6 : 1	單位 UNIT	mm
公差 TOLERANCE	.X=±0.3mm, .XX=±0.2mm		
製圖 DRAWN BY	核圖 CHECKED BY	主管 APPROVED BY	
Eddie Chien	Chuck Young	Margaret Lee	

**SWITRONIC**  
 INDUSTRIAL CORP.  
**Switches**



**一綺電子企業股份有限公司**  
 總公司：110 台北市信義路四段415號13樓之3  
 13F-3, NO.415, SEC.4, HSIN YI ROAD, TAIPEI, TAIWAN  
 TEL : 886-2-27290229(Rep.) FAX : 886-2-27582086  
 URL : www.switronic.com E-MAIL : switches@ms36.hinet.net