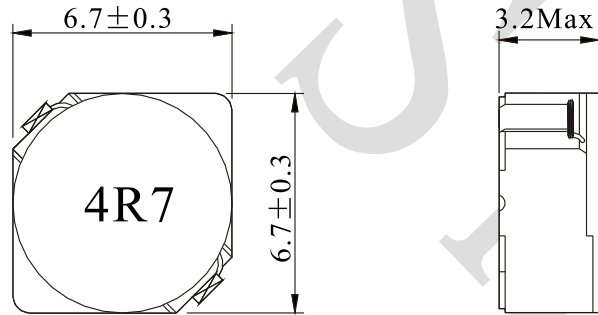
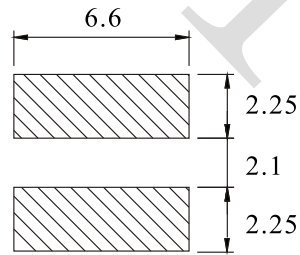
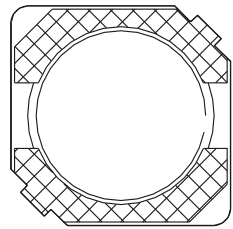


Rev.	Description	Date
A0	New release	2022.05.30

1. PHYSICAL CHARACTERISTICS (mm)



LAND PATTERNS



3. ELECTRICAL SPECIFICATIONS

L: 4.7uH ± 30% @ 100KHz, 0.1V

DCR: 55mΩ Max

Isat: 1.6A Max (Inductance drop 10% Max)

Operating temperature: -40°C to +125°C

Storage temperature: -40°C to +125°C

Test Instrument:

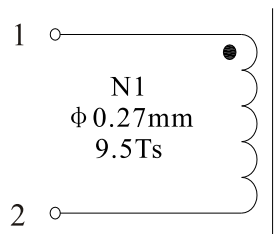
L: HP4284A

RDC: HM2540

Note:

- Solderability: leads shall meet MIL-STD-202, Method 208D for solderability.
- Flammability: UL94V-0
- ASTM oxygen index: >28%

2. ELECTRICAL SCHEMATIC



NAME:	Magnetic shielded surface-mount power inductors		
CUSTOMER P/N:	B82462G4472M000	DATE:	2022-05-30
SHINHOM P/N:	SDRH6D28-4R7N-1.6A	REV: A0	PAGE
DRAWN BY	CHECKED BY	APPROVE BY	



SHINHOM
SHAANXISHINHOM ENTERPRISE CO LTD

The Document property belong to SHINHOM & is not allowed to be duplicated without authorization