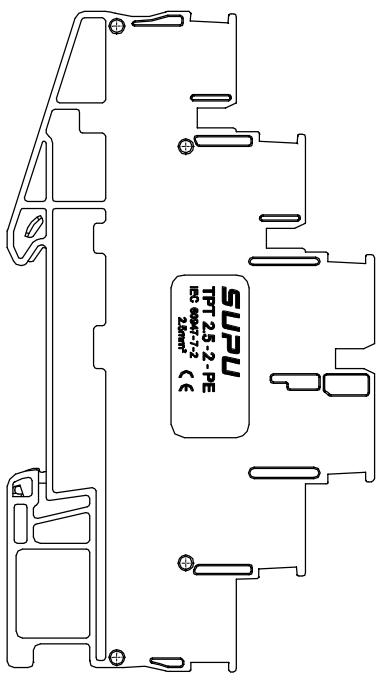
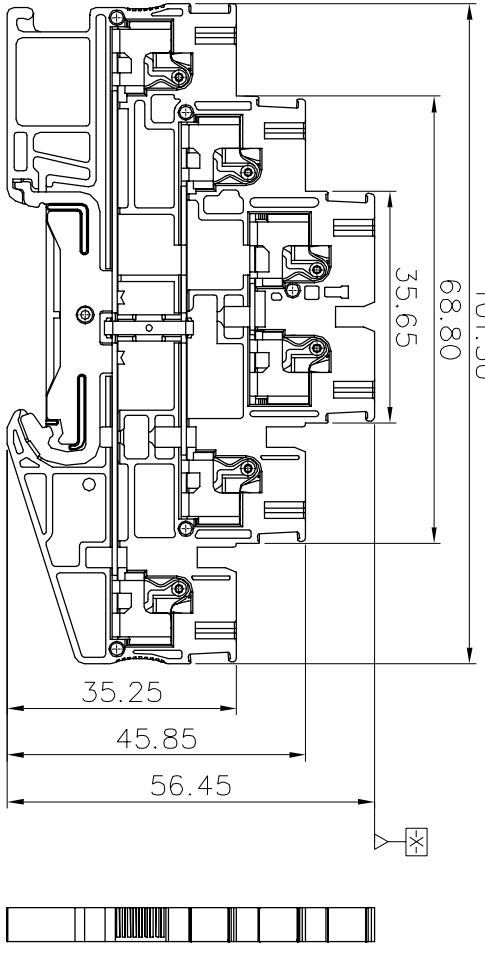
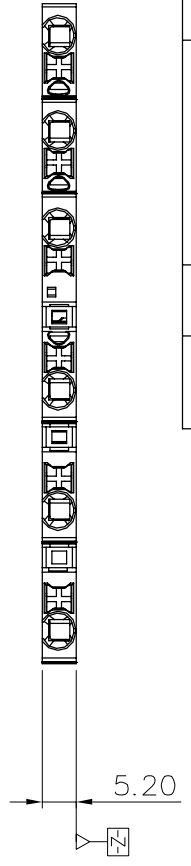


REVISION RECORD			
REV	ECN	DESCRIPTION	DATE
△	DCN0000264	图纸更新	2020/01/11
		陈杰松	



Connection method:  
 1. For Solid wire, peeling wire in right length, push down spring to clapthe wire.  
 2. For stranded wire, connect directly after peeling in right length, or wire furrled and fix in by pushingthe spring.

Transmittal, reproduction, dissemination and/or editing of this document as well as utilization of its contents and communication thereof to others without express authorization are prohibited.  
 未经允许禁止传输、复制、编辑该文档，以及利用其内容进行交流

- NOTES:  
 UL/CUL Standard  
 1. Conductor cross section : 26~12AWG  
 2. Rated Voltage/Current :
- |                  |     |     |   |
|------------------|-----|-----|---|
| Use group        | B   | C   | D |
| Rated voltage(V) | 600 | 600 |   |

Material:

Insulator	PAGE	UL94 V-0
Conductor	Copper alloy	Sn plated
Spring	Stainless steel	
Ground Fin	Copper alloy	Sn plated
Conductor Piece	Copper alloy	Sn plated
Button	POM	

General information:

- Dimension shall be interpreted per ASME Y14.5-2009
- Stripping length : 10mm
- Operating temperature: -40°C~+105°C
- RoHS Compliance
- Undimensioned Tolerances:

2. Rated Voltage/Current :

Surge voltage category	III
Pollution degree	3
Rated surge voltage(kV)	6
Rated voltage(V)	500

Pitch Range in mm	Nominal Dimension	Range in mm	Range
Over 6	Over 30	Over 60	Over 100
To 10	To 40	To 80	To 150
Over 10	Over 24	Over 30	Over 60
To 15	To 30	To 40	To 80
±0.15	±0.20	±0.30	±0.50
			±0.70
			±1.00
			±1.30
			±2

HOW TO ORDER:

TPT2.5-2-PL  
 Sereses No.  
 Color: PL: Grey

订货号	TP12.5-2-PL	名称	TP系列直插式 2.5mm² 三层接地端子	未注公差	表面
项目	签字	图号	PRM001479	Tolerances Table	VDI21
设计	cjs	日期	01/11/20	阶段标记	版本
审核	cw	日期	01/11/20	Progress	Revision
工艺	-	材料	Notes	M	1
Process	-	物料号	412211013	重量	比例
标准化	-	Item No.		Weight	Scale
批准	1w1	批准	01/11/20	1:1	mm
批准		批准			

原图号	
Old Draw. No.	
借通用件登记	
Common Part	
底图总号	
Assembly No.	