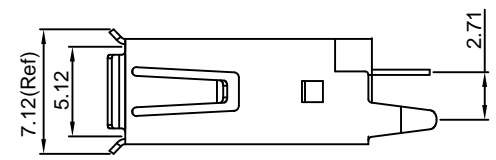
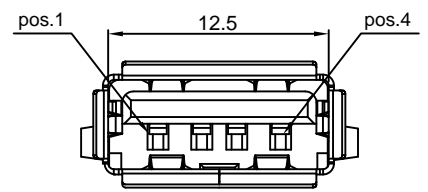


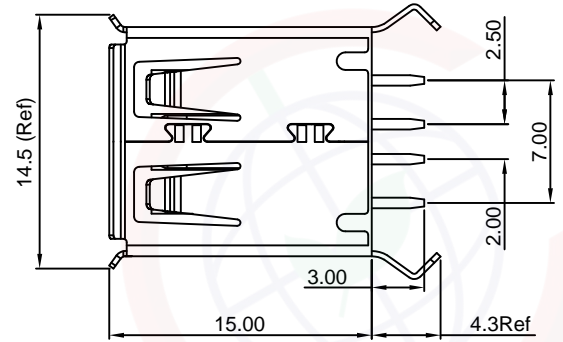
Dept	Qty
DC	1
ED	1
IE	1
ISO	1
PD	1
R&D	1
SD	1
QA	1
QC	1
QF	1

The information provided herein is from CONNELY Electronic Co., Ltd. and is confidential. Any disclosure to a party other than the recipient is prohibited. The intellectual properties and its rights contained herein, including but not limited to, trademarks, patents, copyrights, trade secrets, and technical know-how, are owned exclusively by CONNELY or its affiliates. Unauthorized use or reproduction of any part of this document is strictly prohibited. CONNELY may enforce its intellectual property rights at its own discretion, failures or delays to exercise such rights does not constitute a waiver of such rights. Its use in any format or manner. CONNELY may enforce its intellectual property rights at its own discretion, failures or delays to exercise such rights does not constitute a waiver of such rights.

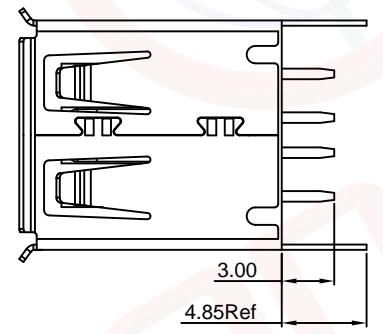
REV.	DESCRIPTION	DRAWN	CHECKED	APPROVED
A	NEW RELEASE	YCH 06/20/12'		LJC 06/20/12'
D	DRAWING UPDATE	JLZ 06/02/22'		



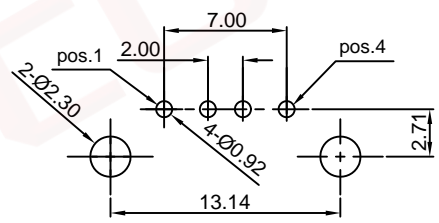
Bend type →



Straight type →



(Series Image-Reference Only)



Recommend PCB layout  
(Tolerance:±0.05)

Notes:

Specifications:

1. Contact Resistance: 30mΩ Max.
2. Insulation Resistance: 1000MΩ Min.
3. Dielectric Withstanding Voltage: 750V AC(rms) For 1 Minute.
4. Current Rating:1.5A Max
5. Voltage Rating:30V Max
6. Temperature: -40°C~+85°C.

Materials:

1. Contact Material: Copper Alloy.
2. Shell Material: Copper Alloy or Steel.
3. Insulator Material: Thermoplastic,Black or White.

Mechanical Characteristics:

1. Mating Force:3.57Kgf Maximum.
2. Unmating Force:1.02Kgf Minimum.
3. Durability:1500 Cycles

Product Number Code:

DS1095-10 - X X X X - X

- Shell material  
Fe: Steel  
N/A Code: Copper alloy
- Contact plating  
0: Selective gold flash  
03: Selective gold 3u"  
30: Selective gold 30u"
- Boardlock type  
S: Straight type  
B: Bend type
- Shell plating  
N: Nickel  
6: Tin
- Color of housing  
W: White  
B: Black

GENERAL TOLERANCE		ANGLE TOLERANCE	
X.	±0.60	X.	±5°
.X	±0.38	.X	±3°
.XX	±0.25	.XX	±2°
DRAWING TYPE		CUSTOMER	
SCALE	1:1	SHEET	1 OF 1
DRAWING NO.	C-DS1095-10-XXXX-X-D		

PROJECTION	TITLE
	USB A/F 180° Type Single Port Female Type
UNITS	mm
SHEET SIZE	A4
SERIES	DS1095-10 SERIES

**晨翔电子有限公司**  
CONNFLY CONNFLY ELECTRONIC CO., LTD