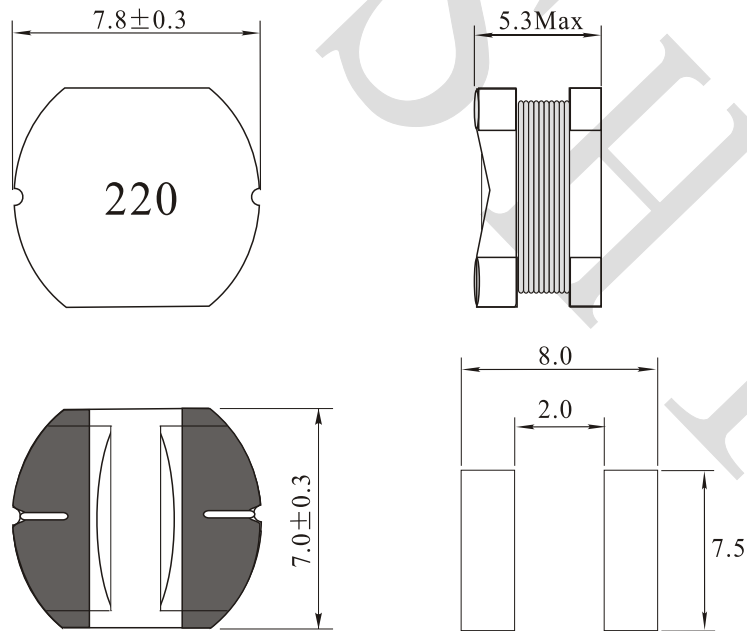
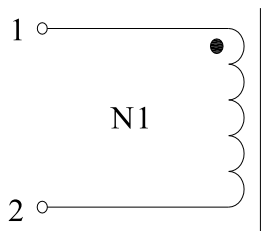


Rev.	Description	Date
A0	New release	2022.12.05

1. PHYSICAL CHARACTERISTICS (mm)



2. ELECTRONICAL SCHEMATIC



3. ELECTRONICAL SPECIFICATIONS

L: 22uH ± 20% @ 1.0KHz, 0.1V

Q: 20 Ref @ 2.52MHz

DCR: 0.11 Ω Max

Isat: 2.3 A Max (Inductance drop 10% Max)

Irms: 1.5 A Max (Temp. rise 40°C Max)

SRF: 13.0MHz Min

Operating temperature: -40°C to +125°C
(Including temp. rise 40°C)

Storage temperature: -40°C to +125°C

Test Instrument:

L: HP4284A

RDC: HM2540

Note:

1. Solderability: leads shall meet MIL-STD-202, Method 208D for solderability.
2. Flammability: UL94V-0
3. ASTM oxygen index: >28%

NAME:	Power Inductors		
CUSTOMER P/N:	SDR0805-220ML	DATE:	2022-12-05
SHINHOM P/N:	SDR0705-220M-1.5A	REV: A0	PAGE
DRAWN BY	CHECKED BY	APPROVE BY	



SHINHOM
SHAANXISHINHOM ENTERPRISE CO LTD

The Document property belong to SHINHOM & is not allowed to be duplicated without authorization