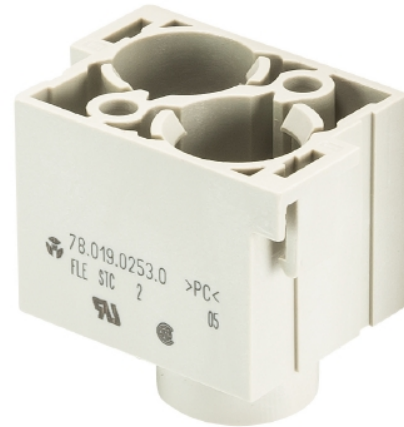


## Data sheet

Commercial Art.No.: 78.019.0253.0

Modular insert FLE STC 2 05

Modular connector system 2 pole male insert, 50V/10A, crimp connection



Commercial Art.No.	78.019.0253.0
EAN	4049088253072
Order Unit	1

Certificates / Approvals



## Technical data

### General

Model	Pin insert
Inflammability class of insulation material acc. with UL94	V0
Pollution degree	3
Modular version	yes
Operating temperature range min.	-40 °C
Operating temperature range max.	70 °C

### Connection Data

Connection type	Crimp
Number of poles	1
With wire protection	No

### Technical Data UL/CSA

Min. conductor cross section flexible wire	0.14 mm <sup>2</sup>
Max. conductor cross section flexible wire	2.5 mm <sup>2</sup>

### Model

With housing	No
--------------	----

### Contacts

Contact material	See contacts
------------------	--------------

Surface	See contacts
---------	--------------

**Technical Data DIN EN 61984**

Nominal voltage	50 V
Nominal current	10 A
Rated impulse voltage	0.8 kV

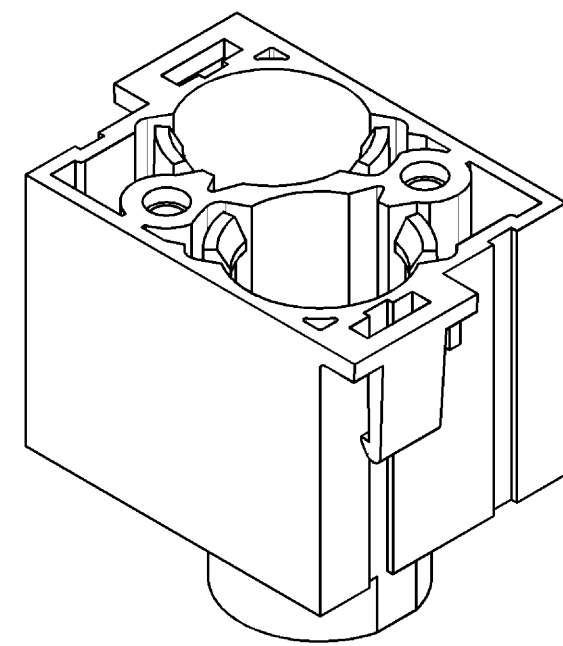
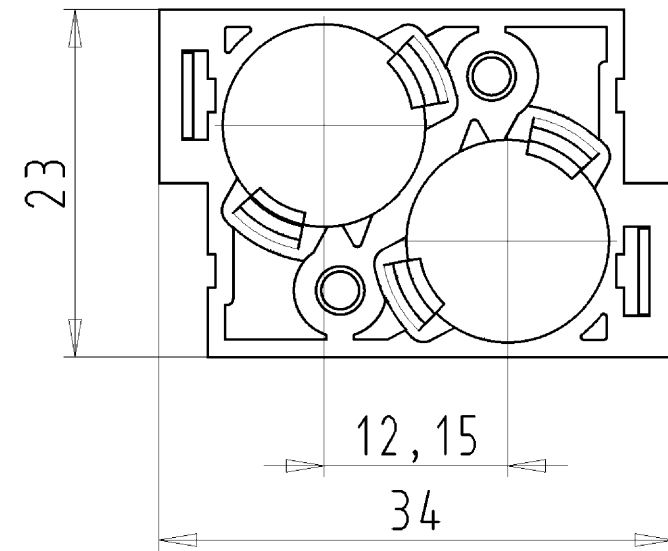
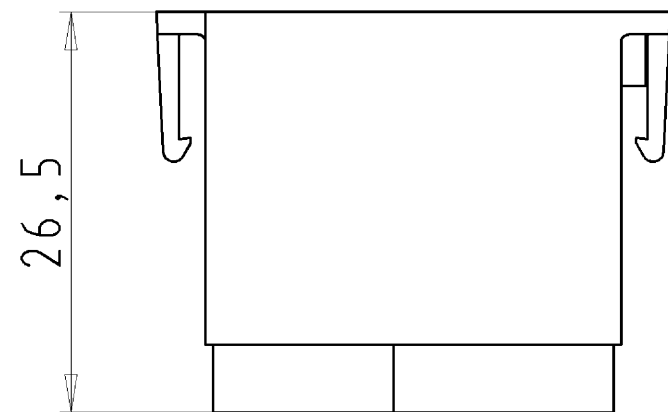
**Classification**

ECLASS 11	
ECLASS 8.1	27440205
ETIM 7.0	EC000438
ETIM 6.0	EC000438
ETIM 5.0	EC000438
ETIM 4.0	EC000438

These dimensions will be especially checked at delivery  
 Only inspection dimensions  
 With /E marked dimensions are only valid for internal use

Diese Maße werden bei Abnahme besonders geprüft  
 Ausschließlich Prüfmaße  
 Mit /E gekennzeichnete Maße sind nur für interne Zwecke gültig

These dimensions will be especially checked at delivery  
 Only inspection dimensions  
 With /E marked dimensions are only valid for internal use



Zubehör/accessories:  
 Z5.566.6056.0  
 05.544.41-4529.7  
 05.544.41-4529.8

78.019.0253.0	FLE STC	2	05		X
Bestellnummer /Order number	Typ /Type	Varianten /Variants		der- gestellt /drawn	
Weitere Daten siehe KATALOG oder eKatalog. Additional data see CATALOG or eCatalog.				www.wieland-electric.com eshop.wieland-electric.com	

Tolerierung Size ISO 14405 (E) / Tolerance system Size ISO 14405 (E). (This ISO-standard describes the envelope principle. According to the envelope principle the deviations of form and parallelism are limited by the size tolerances).				ja/yes <input checked="" type="checkbox"/> Stoffverbots- und Deklarationsliste nach UU-TQM-05/03 ist einzuhalten. Conformity with Wieland document UU-TQM-05/03 (list of prohibited / declarable hazardous substances) to be declared!	
Freitoleranz nach General tolerance		CAD - Zeichnung, keine manuellen Änderungen CAD - drawing, no manual modifications allowed		1. Verwendung: - First Use:	
		Werkstoff/Material		Blatt: 1 von 1 Sheet: of 1	
		2014 Tag/Date		Name	
		gezeichnet drawn		13.03. Dvetsch	
		Maßstab/Scale		Zeichnung Nr./Drawing No.	
		2:1		78.019.0253.0 13K	
		Vol. mm <sup>3</sup> / Ofl./Surf. mm <sup>2</sup>		Index	
		Ersatz für/Replacement for: -		Maße in mm/Dimensions are in mm	
		Type		Benennung/Tittle	
		www.wieland-electric.com		MODULAR INSERTS MODULE INSATZ Steckerteil/male connector	
Index Datum / Blatt Date / Sheet		Änderung/Revision			

Weitergabe sowie Vervielfältigung dieses Dokuments, Verwertung und Mitteilung seines Inhalts sind verboten, soweit nicht ausdrücklich gestattet.  
 The reproduction, distribution and utilization of this document as well as the communication of its contents to others without express authorization is prohibited.

780190253013K\_2 CADW3027 Dvetsch 2014-03-13 10:56:17 1.000