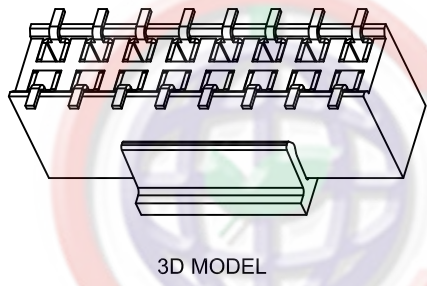
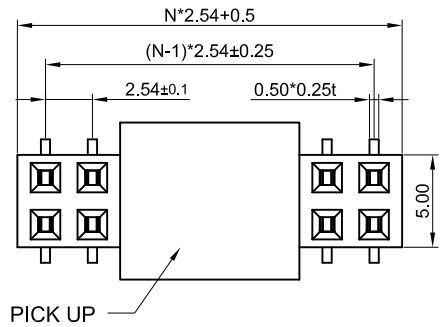


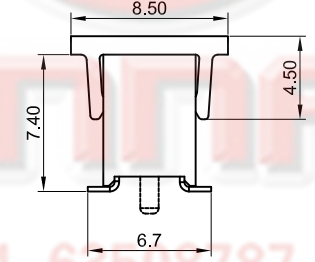
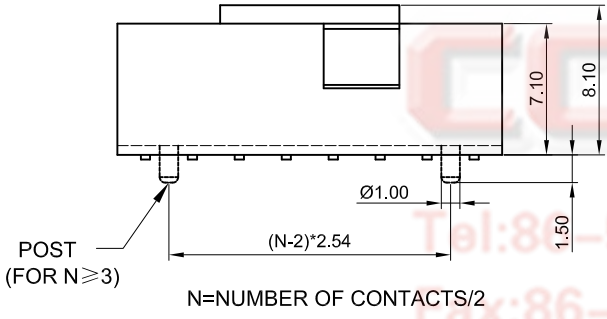
The information provided herein is from CONNELY Electronic Co., Ltd. and is confidential. Any disclosure to a party other than the recipient is prohibited. The intellectual properties and its rights contained herein, including but not limited to, trademarks, patents, copyrights, trade secrets, and technical know-how, are owned exclusively by CONNELY or its affiliates. Unauthorized use of this information in any format or manner. CONNELY may enforce its intellectual property rights at its own discretion; failures or delays to exercise such rights does not constitute a waiver of such rights.

1 2 3 4 5 6 7 8

REV.	DESCRIPTION	DRAWN	CHECKED	APPROVED
A	NEW RELEASE	YCH 01/24/08'		LJC 01/24/08'
D	DRAWING UPDATE	JLZ 12/29/18'		

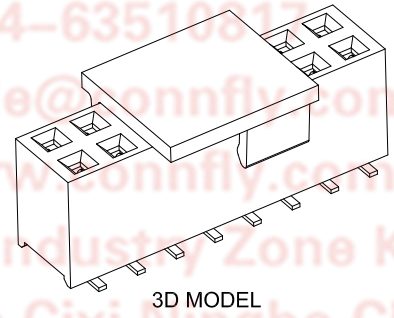
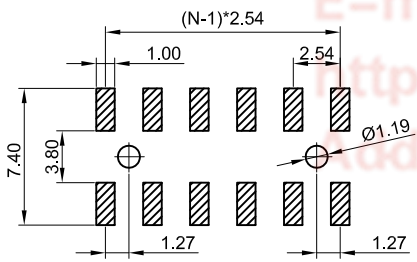


- Notes:
 Specifications:
 1. Contact Resistance: 20mΩ Max.
 2. Insulation Resistance: 1000MΩ Min.
 3. Dielectric Withstanding Voltage: 600V AC(rms) For 1 Minute.
 4. Current Rating:3A.
 5. Voltage Rating:250V AC rms.
 6. Temperature: -40°C~+105°C.
 Materials:
 1. Contact Material: Copper Alloy.
 2. Contact Plating: Gold Plating Over Nickel.
 3. Insulator Materials: High Temp,Black,UL94-V0.
 Product Number Code:



DS1023-11 - X X X X X

- POST SUPPORT
S:W/ POST
X:W/O POST
- PACKING TYPE
R:TAPE ON REEL
B:TUBE
- PICK UP SUPPORT
S: W/
X: W/O
- CONTACT PLATING
8: FULL GLOD FLASH
- HOUSING COLOR
B: BLACK
- NO.OF CONTACTS
2x2 - 2x40



GENERAL TOLERANCE		ANGLE TOLERANCE	
X.	±0.60	X.	±5°
.X	±0.38	.X	±3°
.XX	±0.25	.XX	±2°

PROJECTION	TITLE	FEMALE HEADER PITCH	
		2.54mm SMT TYPE H=7.1mm	
UNITS	mm	SHEET SIZE	A4
SHEET SIZE	A4	SERIES	DS1023-11 SERIES

DRAWING TYPE	CUSTOMER		
SCALE	1:1	SHEET	1 OF 1
DRAWING NO.	C-DS1023-11-XXXXXXX-D		

晨翔电子有限公司
CONNELY CONNELY ELECTRONIC CO. LTD

1 2 3 4 5 6 7 8