

Data sheet

Commercial Art.No.: 72.205.1053.0

Female insert POW BUS 4/6 DA D AG

revos POWER 4-/6 pole + ground, male insert 690V/4x35A + 6x16A, screw connection



Commercial Art.No.	72.205.1053.0
EAN	4015573226753
Order Unit	10

Certificates / Approvals



Technical data

General

Model	Female insert
Inflammability class of insulation material acc. with UL94	HB
Color	Grey
Mating cycles	200
Pollution degree	3
Modular version	No
Alternative size	16
Operating temperature range min.	-40 °C
Operating temperature range max.	120 °C

Connection Data

Connection type	screw connection
Number of poles	4
Plus switching contacts	0
Number of pole for rated current 2	6
Number of pole for rated current 3	0
Total number of poles (without ground contact)	10
With wire protection	yes
Min. conductor diameter rigid (solid/stranded)	1 mm ²
Max. conductor diameter rigid (solid/stranded)	6 mm ²
Protective contact	yes

Technical Data UL/CSA

Rated voltage according to UL/CSA	600 V
Rated current according UL	35 A
Rated current according CSA	35 A

Min. conductor cross section flexible wire	1 mm ²
Max. conductor cross section flexible wire	6 mm ²
Conductor cross section flexible AWG wire	16-8 AWG

Model

With housing	No
--------------	----

Contacts

Contact material	Copper alloy
Surface	Silver-plated
Contact resistance	≤ 1 mOhm
Wire strip length	10 mm

Screws head design/recomm. Torque

Mounting screws	H1/0.5-0.7 Nm
Clamping screws	H1/0.5-0.7 Nm
Ground conductor screws	M5/2.0-2.5 Nm Slot

Technical Data DIN EN 61984

Nominal voltage	690 V
Rated voltage face/ground	690 V
Nominal current	35 A
Rated current 2	16 A
Rated impulse voltage	8 kV

Classification

ECLASS 11	
ECLASS 8.1	27440205
ETIM 7.0	EC000438
ETIM 6.0	EC000438
ETIM 5.0	EC000438
ETIM 4.0	EC000438

Product compliance

ROHS conformity status	Compliant/Exempted
ROHS exceptions	III-6(c)
REACH-SVHC conformity status	Duty-To-Declare
REACH-SVHC substances	Lead
REACH-SVHC CAS numbers	7439-92-1

Fits with

Commercial Art.No.:	Article-type description:	Description:
76.350.4035.0	Hood BAS GOT GG 40HM25 50 A0	Hood revos basic made of aluminum, for single locking lever with cable gland M25 on the right side (IP54), low version, 40-poles
76.350.4035.1	Hood BAS GOT GG 40HM25 50 A1	Hood revos basic made of aluminum, for single locking lever with threaded hole M25 on the right side, low version, 40-poles

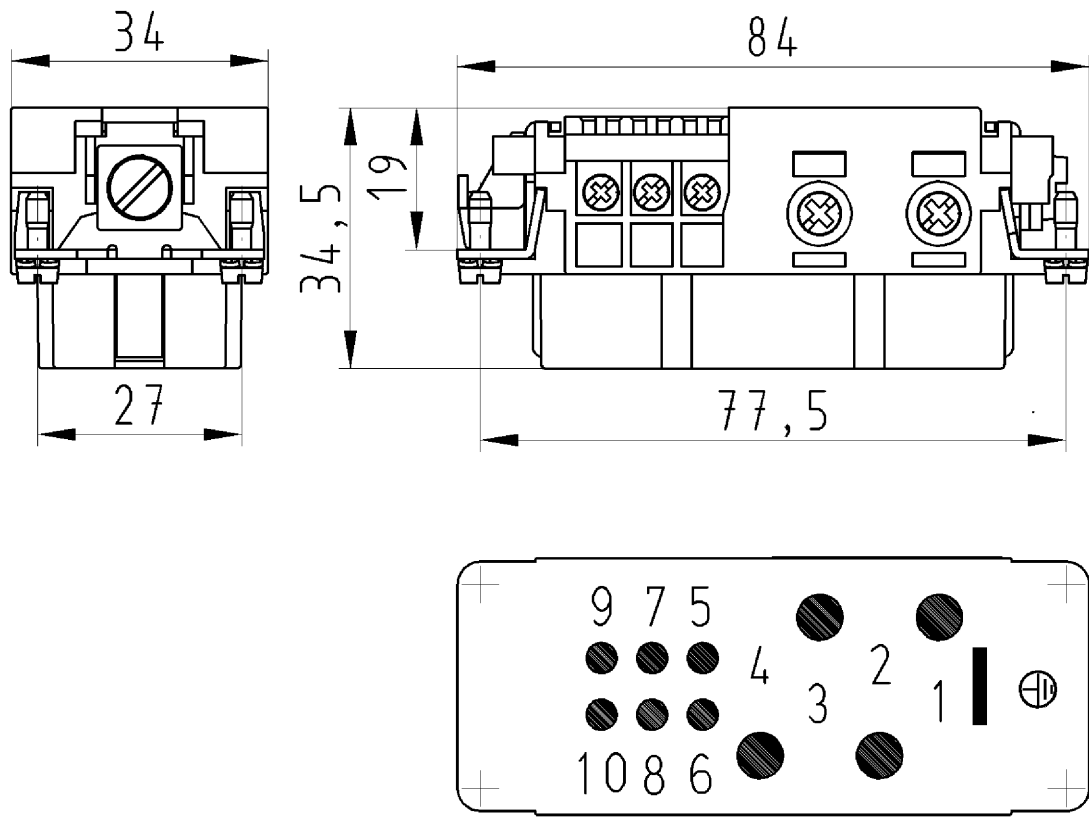
76.350.4035.2	Hood BAS GOT GG 40HM25 50 A2	Hood revos basic made of aluminum, for single locking lever with nozzleM25 on the right side, low version, 40-poles
76.350.4035.3	Hood BAS GOT GG 16H M25 A3	Hood revos basic made of aluminum, for single locking lever with trumpet gland M25 on the right side (IP54), low version, 16-poles
76.351.1635.1	Hood BAS GOT GH 16H M20 A1	Hood revos basic made of aluminum, for single locking lever with threaded hole M20 on the front, low version, 16-poles
76.351.1635.3	Hood BAS GOT GH 10H M20 A3	Hood revos basic made of aluminum, for single locking lever with trumpet gland M20 on the front (IP54), low version, 10-poles
76.352.4035.0	Hood BAS GOT GI 40HM25 50 A0	Hood revos basic made of aluminum, for single locking lever with cable gland M25 on the top (IP54), low version, 40-poles
76.352.4035.1	Hood BAS GOT GI 16HM25 A1	Hood revos basic made of aluminum, for single locking lever with threaded hole M25 on the top, low version, 16-poles
76.352.4035.3	Hood BAS GOT GI 16H M25 A3	Hood revos basic made of aluminum, for single locking lever with trumpet gland M25 on the top (IP54), low version, 16-poles
76.353.4035.0	Hood BAS GOT GG 40HM32 50 A0	Hood revos basic made of aluminum, for single locking lever with cable gland M32 on the right side (IP54), low version, 40-poles
76.353.4035.1	Hood BAS GOT GG 16HM32 A1	Hood revos basic made of aluminum, for single locking lever with threaded hole M32 on the right side, low version, 16-poles
76.353.4035.2	Hood BAS GOT GG 40HM32 50 A2	Hood revos basic made of aluminum, for single locking lever with nozzleM32 on the right side, low version, 40-poles
76.353.4035.3	Hood BAS GOT GG 16H M32 A3	Hood revos basic made of aluminum, for single locking lever with trumpet gland M32 on the right side (IP54), low version, 16-poles
76.354.4035.0	Hood BAS GOT GI 40HM32 50 A0	Hood revos basic made of aluminum, for single locking lever with cable gland M32 on the top (IP54), low version, 40-poles
76.354.4035.1	Hood BAS GOT GI 40HM32 50 A1	Hood revos basic made of aluminum, for single locking lever with threaded hole M32 on the top, low version, 40-poles
76.354.4035.3	Hood BAS GOT GI 16H M32 A3	Hood revos basic made of aluminum, for single locking lever with trumpet gland M32 on the top (IP54), low version, 16-poles
76.360.4035.0	Hood BAS GOT GG 16H M40 A0	Hood revos basic made of aluminum, for single locking lever with cable gland M40 on the right side (IP54), low version, 16-poles
76.360.4035.1	Hood BAS GOT GG 40HM40 50 A1	Hood revos basic made of aluminum, for single locking lever with threaded hole M40 on the right side, low version, 40-poles
76.362.4035.1	Hood BAS GOT GI 40HM40 50 A1	Hood revos basic made of aluminum, for single locking lever with threaded hole M40 on the top, low version, 40-poles
76.374.4035.0	Hood BAS GOT GL 40HM32 50 A0	Connectors for free cable connections revos basic made of aluminum, with single locking lever and cable gland M32 on the top - free cable connection (IP54), 40-poles
76.330.4035.0	Bottom BAS GUT GL 40HM25 50 A0	Bottom-base revos basic made of aluminum, with single locking lever and cable gland M25 on the right and left side (IP54), low version, 40-polig
76.330.4035.1	Bottom BAS GUT GL 40HM25 50 A1	Bottom-base revos basic made of aluminum, with single locking lever and threaded hole M25 on the right and left side, low version, 40-polig
76.331.4035.0	Bottom BAS GUT GM 40HM25 50 A0	Bottom-base revos basic made of aluminum, with single locking lever and cable gland M25 on the left side (IP54), low version, 40-polig
76.331.4035.1	Bottom BAS GUT GM 40HM25 50 A1	Bottom-base revos basic made of aluminum, with single locking lever and threaded hole M25 on the left side, low version, 40-polig
76.333.4035.0	Bottom BAS GUT GO 40HM25 50 A0	Bottom-base revos basic made of aluminum, with single locking lever and cable gland M25 on the bottom (IP54), low version, 40-polig
76.333.4035.1	Bottom BAS GUT GO 40HM25 50 A1	Bottom-base revos basic made of aluminum, with single locking lever and threaded hole M25 on the bottom, low version, 40-polig
76.334.4035.1	Bottom BAS GUT GL 40HM32 50 A1	Bottom-base revos basic made of aluminum, with single locking lever and threaded hole M32 on the right and left side, low version, 40-polig
76.335.4035.0	Bottom BAS GUT GM 40HM32 50 A0	Bottom-base revos basic made of aluminum, with single locking lever and cable gland M32 on the left side (IP54), low version, 40-polig
76.335.4035.1	Bottom BAS GUT GM 40HM32 50 A1	Bottom-base revos basic made of aluminum, with single locking lever and threaded hole M32 on the left side, low version, 40-polig

76.337.4035.1	Bottom BAS GUT GO 40HM32 50 A1	Bottom-base revos basic made of aluminum, with single locking lever and threaded hole M32 on the bottom, low version, 40-polig
76.340.4035.0	Bottom BAS GUT GR 40HM25 50 A0	Bottom-base revos basic made of aluminum, with single locking lever and cable gland M25 on the right and the left side, with protective cover (IP54), low version, 40-polig
76.340.4035.1	Bottom BAS GUT GR 40HM25 50 A1	Bottom-base revos basic made of aluminum, with single locking lever and threaded hole M25 on the right and the left side, with protective cover, low version, 40-polig
76.341.4035.0	Bottom BAS GUT GS 40HM25 50 A0	Bottom-base revos basic made of aluminum, with single locking lever and cable gland M25 on the left side, with protective cover (IP54), low version, 40-polig
76.341.4035.1	Bottom BAS GUT GS 40HM25 50 A1	Bottom-base revos basic made of aluminum, with single locking lever and threaded hole M25 on the left side, with protective cover, low version, 40-polig
76.344.4035.0	Bottom BAS GUT GR 40HM32 50 A0	Bottom-base revos basic made of aluminum, with single locking lever and cable gland M32 on the right and the left side, with protective cover (IP54), low version, 40-polig
76.344.4035.1	Bottom BAS GUT GR 40HM32 50 A1	Bottom-base revos basic made of aluminum, with single locking lever and threaded hole M32 on the right and the left side, with protective cover, low version, 40-polig
76.345.4035.0	Bottom BAS GUT GS 16HM32 A0	Bottom-base revos basic made of aluminum, with single locking lever and cable gland M32 on the left side, with protective cover (IP54), low version, 16-polig
76.345.4035.1	Bottom BAS GUT GS 40HM32 50 A1	Bottom-base revos basic made of aluminum, with single locking lever and threaded hole M32 on the left side, with protective cover, low version, 40-polig
76.346.4035.0	Bottom BAS GUT GT 40HM32 50 A0	Bottom-base revos basic made of aluminum, with single locking lever and cable gland M32 on the right side, with protective cover (IP54), low version, 40-polig
76.346.4035.1	Bottom BAS GUT GT 40HM32 50 A1	Bottom-base revos basic made of aluminum, with single locking lever and threaded hole M32 on the right side, with protective cover, low version, 40-polig
76.347.4035.0	Bottom BAS GUT GU 40HM32 50 A0	Bottom-base revos basic made of aluminum, with single locking lever and cable gland M32 on the bottom, with protective cover (IP54), low version, 40-polig
76.347.4035.1	Bottom BAS GUT GU 40HM32 50 A1	Bottom-base revos basic made of aluminum, with single locking lever and threaded hole M32 on the bottom, with protective cover, low version, 40-polig
73.350.4035.0	Hood BAS GOT GA 16HM25 50 A0	Hood revos basic made of aluminum, for double locking lever or screw cap with cable gland M25 on the right side (IP54), low version, 16-poles
73.350.4035.1	Hood BAS GOT GA 16HM25 50 A1	Hood revos basic made of aluminum, for double locking lever or screw cap with threaded hole M25 on the right side, low version, 16-poles
73.350.4035.2	Hood BAS GOT GA 16HM25 50 A2	Hood revos basic made of aluminum, for double locking lever or screw cap with nozzle M25 on the right side, low version, 16-poles
73.350.4035.3	Hood BAS GOT GA 16H M25 A3	Hood revos basic made of aluminum, for double locking lever or screw cap with trumpet gland M25 on the right side (IP54), low version, 16-poles
73.351.1635.1	Hood BAS GOT GB 16H M25 A1	Hood revos basic made of aluminum, for double locking lever and threaded hole M25 on the front, low version, 16-poles
73.351.1635.3	Hood BAS GOT GB 16H M25 A3	Hood revos basic made of aluminum, for double locking lever and trumpet gland M25 on the front (IP54), low version, 16-poles
73.352.4035.0	Hood BAS GOT GC 16HM25 50 A0	Hood revos basic made of aluminum, for double locking lever or screw cap with cable gland M25 on the top (IP54), low version, 16-poles

73.352.4035.1	Hood BAS GOT GC 16HM25 50 A1	Hood revos basic made of aluminum, for double locking lever or. screw cap with threaded hole M25 on the top, low version, 16-poles
73.352.4035.2	Hood BAS GOT GC 16HM25 50 A2	Hood revos basic made of aluminum, for double locking lever or. screw cap with nozzle M25 on the top, low version, 16-poles
73.352.4035.3	Hood BAS GOT GC 16H M25 A3	Hood revos basic made of aluminum, for double locking lever or. screw cap with trumpet gland M25 on the top (IP54), low version, 16-poles
73.353.4035.0	Hood BAS GOT GA 40HM32 50 A0	Hood revos basic made of aluminum, for double locking lever or. screw cap with cable gland M32 on the right side (IP54), high version, 40- poles
73.353.4035.1	Hood BAS GOT GA 40HM32 50 A1	Hood revos basic made of aluminum, for double locking lever or. screw cap with threaded hole M32 on the right side, low version, 40-poles
73.353.4035.2	Hood BAS GOT GA 40HM32 50 A2	Hood revos basic made of aluminum, for double locking lever or. screw cap with nozzle M32 on the right side, low version, 40-poles
73.353.4035.3	Hood BAS GOT GA 16HM32 A3	Hood revos basic made of aluminum, for double locking lever or. screw cap with trumpet gland M32 on the right side (IP54), low version, 16-poles
73.354.4035.0	Hood BAS GOT GC 16HM32 50 A0	Hood revos basic made of aluminum, for double locking lever or. screw cap with cable gland M32 on the top (IP54), low version, 16-poles
73.354.4035.1	Hood BAS GOT GC 16HM32 50 A1	Hood revos basic made of aluminum, for double locking lever or. screw cap with threaded hole M32 on the top, low version, 16-poles
73.354.4035.2	Hood BAS GOT GC 16HM32 50 A2	Hood revos basic made of aluminum, for double locking lever or. screw cap with nozzle M32 on the top, low version, 16-poles
73.354.4035.3	Hood BAS GOT GC 16HM32 A2	Hood revos basic made of aluminum, for double locking lever or. screw cap with nozzle M32 on the top, low version, 16-poles
73.355.4035.1	Hood BAS GOT GD 16HM25 50 A1	Hood revos basic made of aluminum, with double locking lever and threaded hole M25 on the right side, low version, 16-poles
73.357.4035.0	Hood BAS GOT GF 16HM25 50 A0	Hood revos basic made of aluminum, with double locking lever and cable gland M25 on the top (IP54), low version, 16-poles
73.357.4035.1	Hood BAS GOT GF 16HM25 50 A1	Hood revos basic made of aluminum, with double locking lever and threaded hole M25 on the top, low version, 16-poles
73.357.4035.2	Hood BAS GOT GF 16HM25 50 A2	Hood revos basic made of aluminum, with double locking lever and nozzleM25 on the top, low version, 16-poles
73.358.4035.0	Hood BAS GOT GD 16HM32 50 A0	Hood revos basic made of aluminum, with double locking lever and cable gland M32 on the right side (IP54), low version, 16-poles
73.358.4035.1	Hood BAS GOT GD 16HM32 50 A1	Hood revos basic made of aluminum, with double locking lever and threaded hole M32 on the right side, low version, 16-poles
73.359.4035.0	Hood BAS GOT GF 16HM32 50 A0	Hood revos basic made of aluminum, with double locking lever and cable gland M32 on the top (IP54), low version, 16-poles
73.359.4035.1	Hood BAS GOT GF 16HM32 50 A1	Hood revos basic made of aluminum, with double locking lever and threaded hole M32 on the top, high version, 16-poles
73.359.4035.2	Hood BAS GOT GF 16HM32 50 A2	Hood revos basic made of aluminum, with double locking lever and nozzleM32 on the top, low version, 16-poles
73.359.4035.3	Hood BAS GOT GF 16HM32 A3	Hood revos basic made of aluminum, with double locking lever and trumpet gland M32 on the top (IP54), low version, 16-poles
73.360.4035.0	Hood BAS GOT GA 16HM40 A0	Hood revos basic made of aluminum, for double locking lever or. screw cap with cable gland M40 on the right side (IP54), low version, 16-poles
73.360.4035.1	Hood BAS GOT GA 16HM40 50 A1	Hood revos basic made of aluminum, for double locking lever or. screw cap with threaded hole M40 on the right side, low version, 16-poles
73.362.4035.1	Hood BAS GOT GC 16HM40 50 A1	Hood revos basic made of aluminum, for double locking lever or. screw cap with threaded hole M40 on the top, low version, 16-poles

73.330.4035.0	Bottom BAS GUT GB 16HM25 50 A0	Bottom-base revos basic made of aluminum, with double locking lever or.screw cap with cable gland M25 on the right and left side (IP54), low version, 16-polig
73.330.4035.1	Bottom BAS GUT GB 16HM25 50 A1	Bottom-base revos basic made of aluminum, with double locking lever or.screw cap with threaded hole M25 on the right and left side, low version, 16-polig
73.331.4035.0	Bottom BAS GUT GC 16HM25 50 A0	Bottom-base revos basic made of aluminum, with double locking lever or.screw cap with cable gland M25 on the left side (IP54), low version, 16-polig
73.331.4035.1	Bottom BAS GUT GC 16M25 50 A1	Bottom-base revos basic made of aluminum, with double locking lever or.screw cap with threaded hole M25 on the left side, low version, 16-polig
73.333.4035.0	Bottom BAS GUT GD 16HM25 50 A0	Bottom-base revos basic made of aluminum, with double locking lever or.screw cap with cable gland M25 on the right side (IP54), low version, 16-polig
73.333.4035.1	Bottom BAS GUT GD 16HM25 50 A1	Bottom-base revos basic made of aluminum, with double locking lever or.screw cap with threaded hole M25 on the right side, low version, 16-polig
73.334.4035.0	Bottom BAS GUT GB 16HM32 50 A0	Bottom-base revos basic made of aluminum, with double locking lever or.screw cap with cable gland M32 on the right and left side (IP54), low version, 16-polig
73.334.4035.1	Bottom BAS GUT GB 16HM32 50 A1	Bottom-base revos basic made of aluminum, with double locking lever or.screw cap with threaded hole M32 on the right and left side, low version, 16-polig
73.335.4035.0	Bottom BAS GUT GC 16HM32 50 A0	Bottom-base revos basic made of aluminum, with double locking lever or.screw cap with cable gland M32 on the left side (IP54), high version, 6-poles
73.335.4035.1	Bottom BAS GUT GC 16HM32 50 A1	Bottom-base revos basic made of aluminum, with double locking lever or.screw cap with threaded hole M32 on the left side, low version, 16-polig
73.337.4035.0	Bottom BAS GUT GD 16HM32 50 A0	Bottom-base revos basic made of aluminum, with double locking lever or.screw cap with cable gland M32 on the right side (IP54), low version, 16-polig
73.337.4035.1	Bottom BAS GUT GD 16HM32 50 A1	Bottom-base revos basic made of aluminum, with double locking lever or.screw cap with threaded hole M32 on the right side, low version, 16-polig
73.338.4035.1	Bottom BAS GUT GB 16H M40 A1	Bottom-base revos basic made of aluminum, with double locking lever or.screw cap with threaded hole M40 on the right and left side, low version, 16-polig
73.339.4035.1	Bottom BAS GUT GC 16H M40 A1	Bottom-base revos basic made of aluminum, with double locking lever or.screw cap with threaded hole M40 on the left side, low version, 16-polig
73.340.4035.0	Bottom BAS GUT GB 16H M40 A1	Bottom-base revos basic made of aluminum, with double locking lever or.screw cap with threaded hole M40 on the right and left side, low version, 16-polig
73.340.4035.1	Bottom BAS GUT GF 16HM25 50 A1	Bottom-base revos basic made of aluminum, for double locking lever with threaded hole M25 on the left and right side, with protective cover, low version, 16-polig
73.341.4035.0	Bottom BAS GUT GC 16H M40 A1	Bottom-base revos basic made of aluminum, with double locking lever or.screw cap with threaded hole M40 on the left side, low version, 16-polig
73.341.4035.1	Bottom BAS GUT GG 16HM25 50 A1	Bottom-base revos basic made of aluminum, with double locking lever and threaded hole M25 on the left side, with protective cover, low version, 16-polig
73.342.4035.1	Bottom BAS GUT GH 16HM25 50 A1	Bottom-base revos basic made of aluminum, with double locking lever and threaded hole M25 on the right side, with protective cover, low version, 16-polig

73.344.4035.0	Bottom BAS GUT GF 16HM32 50 A0	Bottom-base revos basic made of aluminum, for double locking lever with cable gland M32 on the left and right side, with protective cover (IP54), low version, 16-polig
73.344.4035.1	Bottom BAS GUT GF 16HM32 50 A1	Bottom-base revos basic made of aluminum, for double locking lever with threaded hole M32 on the left and right side, with protective cover, high version, 16-polig
73.345.4035.0	Bottom BAS GUT GG 16HM32 50 A0	Bottom-base revos basic made of aluminum, with double locking lever and cable gland M32 on the left side, with protective cover (IP54), low version, 16-polig
73.345.4035.1	Bottom BAS GUT GG 16HM32 50 A1	Bottom-base revos basic made of aluminum, with double locking lever and threaded hole M32 on the left side, with protective cover, low version, 16-polig
73.346.4035.0	Bottom BAS GUT GH 16HM32 50 A0	Bottom-base revos basic made of aluminum, with double locking lever and cable gland M32 on the right side, with protective cover (IP54), low version, 16-polig
73.346.4035.1	Bottom BAS GUT GH 16HM32 50 A1	Bottom-base revos basic made of aluminum, with double locking lever and threaded hole M32 on the right side, with protective cover, low version, 16-polig
73.347.4035.0	Bottom BAS GUT GI 16HM32 50 A0	Bottom-base revos basic made of aluminum, with double locking lever and cable gland M32 on the bottom, with protective cover (IP54), low version, 16-polig
73.347.4035.1	Bottom BAS GUT GI 40HM32 50 A1	Bottom-base revos basic made of aluminum, with double locking lever and threaded hole M32 on the bottom, with protective cover, low version, 40-polig
72.215.1053.0	Male insert POW STS 4/6 DA D AG	revos POWER 4-/6 pole + ground, male insert 690V/4x35A + 6x16A, screw connection



Weitergabe sowie Vervielfältigung dieses Dokuments, Verwertung und Mitteilung seines Inhalts sind verboten, soweit nicht ausdrücklich gestattet. Die Reproduktion, Distribution und Utilization of this document as well as the communication of its contents to others without express authorization is prohibited.

Zeichnungsnummer
72.205.1053.010W
Buchseneinsatz

Buchseneinsatz
72.205.1053.0

14.11.2007
Schreiber Patrick
M 1:1