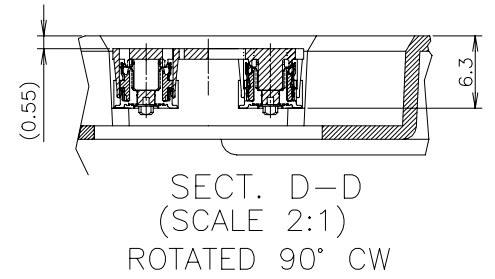
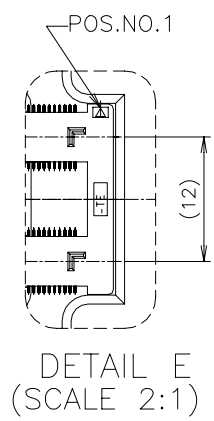
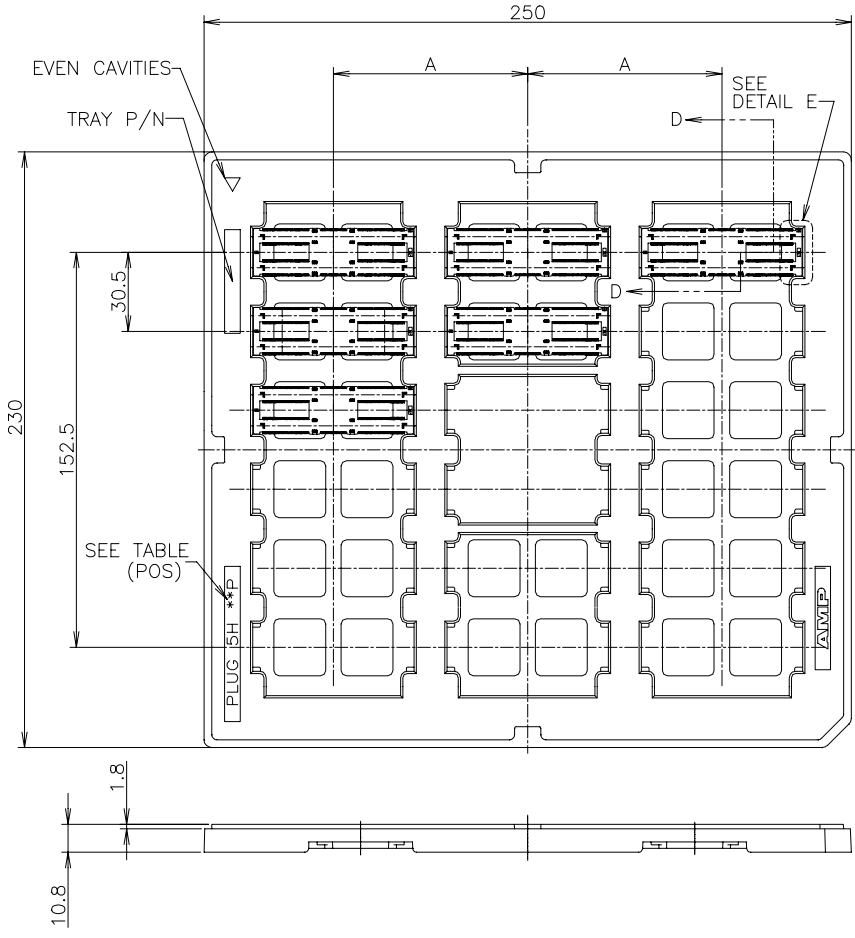


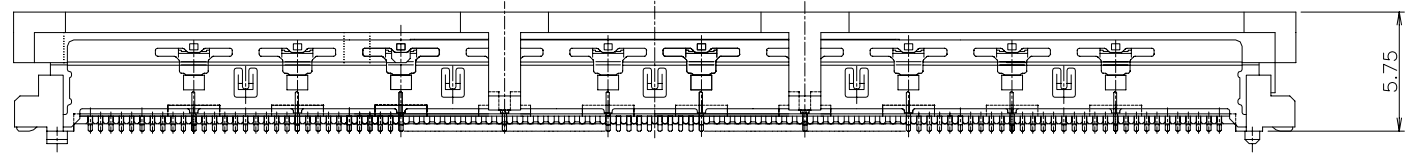
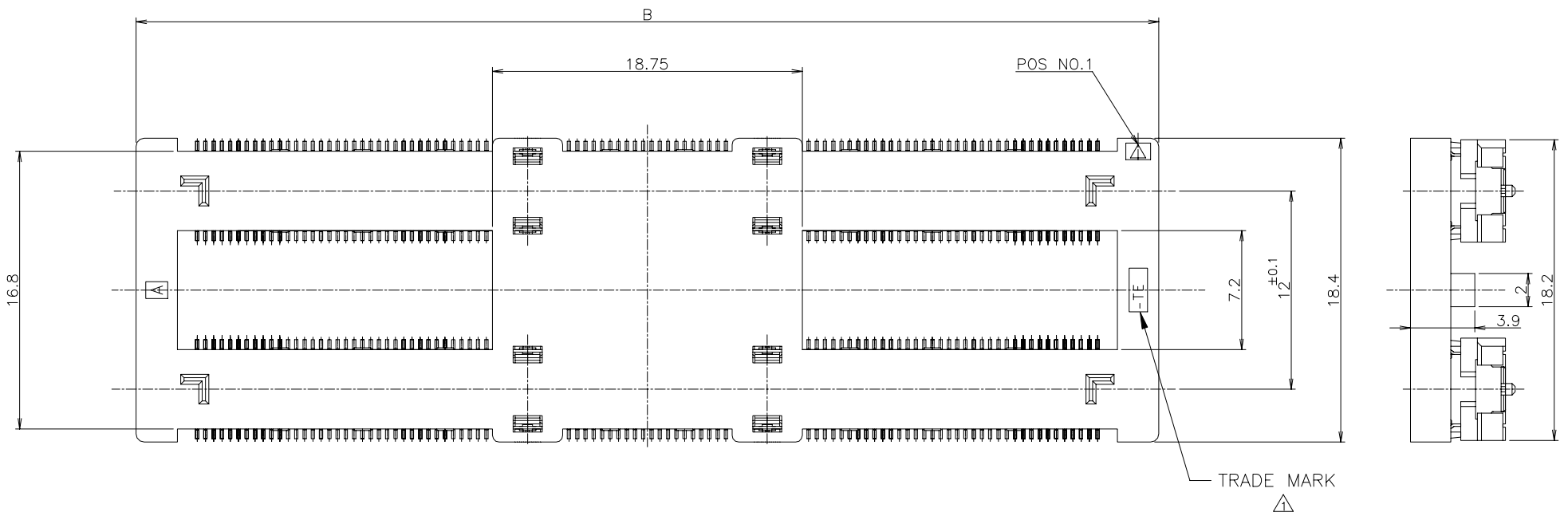
REVISIONS					
P	LTR	DESCRIPTION	DATE	DWN	APVD
	C	ECO-20-000559:G-CONTACT TAIL FLASH GOLD	16DEC2019	A.L	H.L



NO	3	18	75	440	3-1827233-6
SEALANT	ROW	QTY	A	POS.	PART NO.

THIS DRAWING IS A CONTROLLED DOCUMENT.		DWN S. CHIEN 18MAY05	TE Connectivity Ltd.		
DIMENSIONS: MM		CHK T. FUTATSUGI 18MAY05			
TOLERANCES UNLESS OTHERWISE SPECIFIED:		APVD W. KODAMA 18MAY05	PRODUCT SPEC		
0 PLC ± 0.25 1 PLC ± 0.15 2 PLC ± 0.10 3 PLC ± 0.05 4 PLC ± 0.0250 ANGLES ± 3°		APPLICATION SPEC 108-5560		HARD TRAY ASSY FH 0.5 BTB CONNECTOR 440POS PLUG 5H W/G-PLATE ON 2 ROW CAP	
MATERIAL		WEIGHT		SIZE A3	RESTRICTED TO
FINISH		CUSTOMER DRAWING		CAGE CODE 00779	DRAWING NO C=1827233
		SCALE 1:2		SHEET 1 OF 4	REV C

REVISIONS					
P	LTR	DESCRIPTION	DATE	DWN	APVD
-	-	SEE SHEET 1	-	-	-



NOTE  
 ▲ SINK SURFACE 0.1, RISING CHARACTER 0.08  
 '-TE-' MANUFACTURED BY TE JP  
 '-TE-' MANUFACTURED BY TE QD

THIS DRAWING IS A CONTROLLED DOCUMENT.		DWN	TE Connectivity Ltd.	
DIMENSIONS: MM		CHK	HARD TRAY ASSY	
TOLERANCES UNLESS OTHERWISE SPECIFIED:		APVD	FH 0.5 BTB CONNECTOR 440POS	
0 PLC ± 0.25	1 PLC ± 0.15	PRODUCT SPEC	PLUG 5H W/G-PLATE ON 2 ROW CAP	
2 PLC ± 0.10	3 PLC ± 0.05	APPLICATION SPEC	SIZE A3	CAGE CODE 00779
4 PLC ± 0.0250	ANGLES ± 3'	WEIGHT	DRAWING NO. C=1827233	
MATERIAL	FINISH	CUSTOMER DRAWING	SCALE 4:1	SHEET 2 OF 4
			RESTRICTED TO	REV C

4

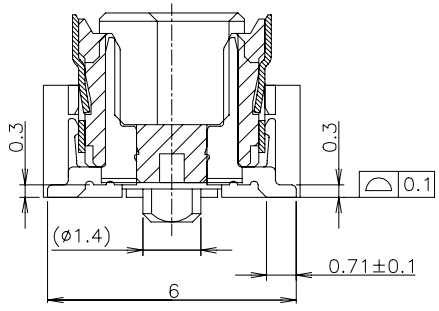
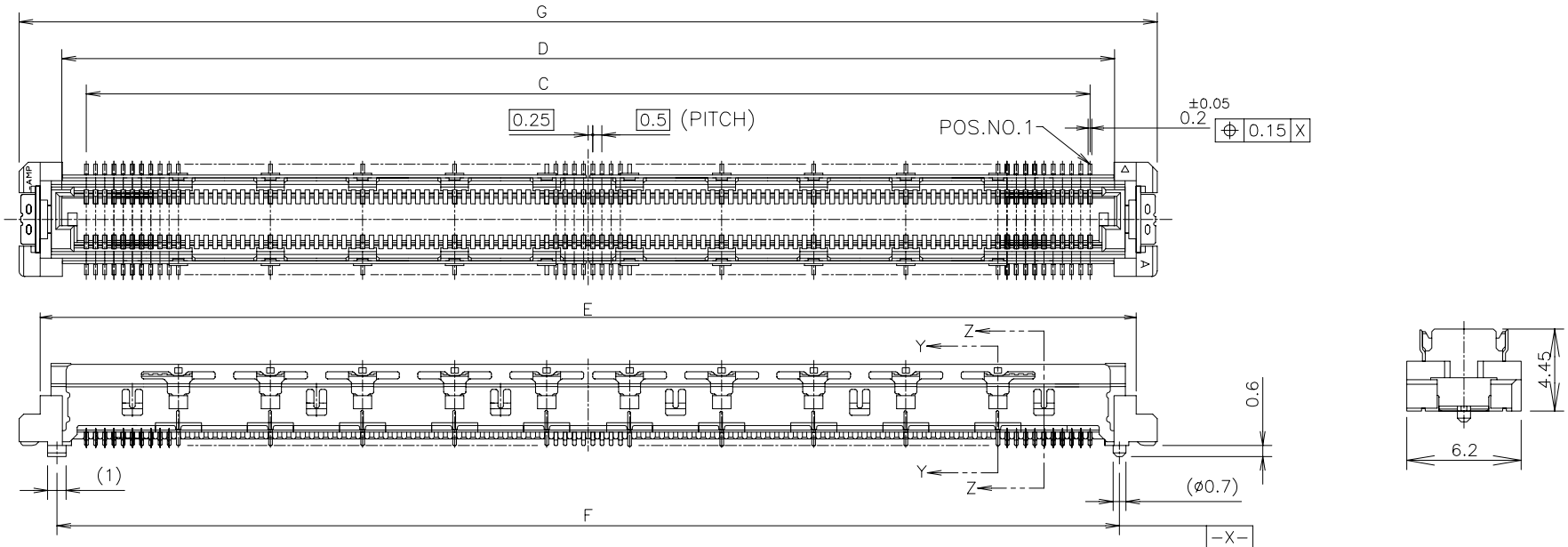
3

2

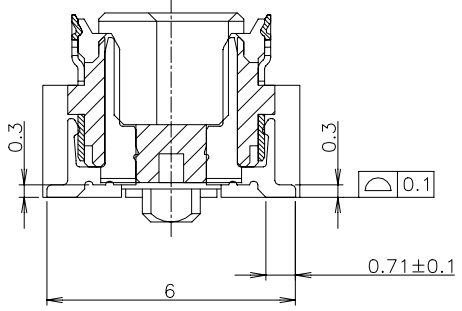
1

REVISIONS

P	LTR	DESCRIPTION	DATE	DWN	APVD
-		SEE SHEET 1	-	-	-



SECT. Z-Z (SIGNAL POSITION) (SCALE 8:1)



SECT. Y-Y (GROUND POSITION) (SCALE 8:1)

NOTES

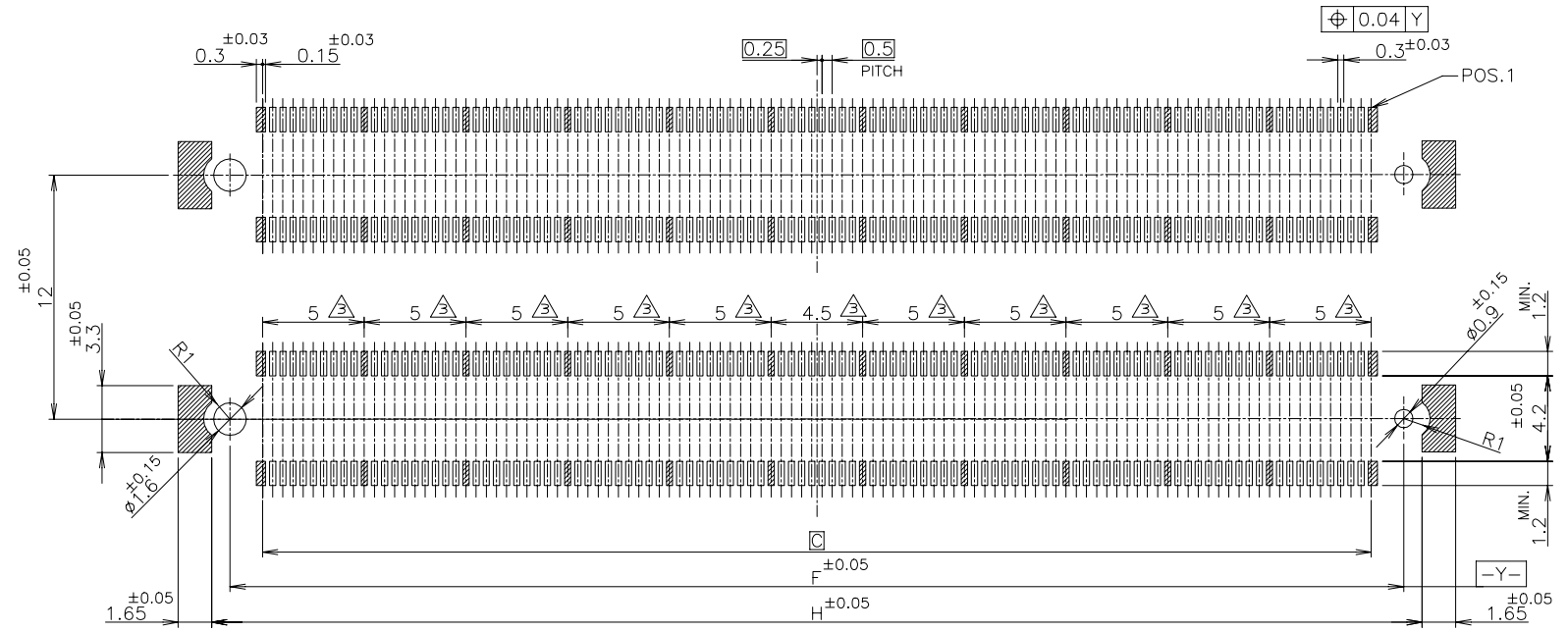
- MATERIAL: HOUSING : HIGH TEMP THERMO PLASTIC UL94V-0  
CONTACT : COPPER ALLOY  
SOLDER PEG : COPPER ALLOY
- FINISH: SIGNAL CONTACT : UNDER PL Ni 0.0013mm MIN ALL OVER.  
CONTACT AREA 0.0002mm MIN Au PL.  
SOLDERING AREA 0.00005mm MIN Au PL.  
GROUND CONTACT : UNDER PL Ni 0.0013mm MIN ALL OVER.  
CONTACT AREA 0.0002mm MIN Au PL.  
SOLDERING AREA 0.00005mm MIN Au PL.  
SOLDER PEG : 0.001mm MIN Sn PL. OVER  
0.0013mm MIN Ni PL ALL OVER.
- THIS POSITION IS GROUND CIRCUIT.

61.8	57.7	59.5	57.1	54.5	220	BLACK	3-1827233-6
G	F	E	D	C	POS.	HSG COLOR	PART NO.

THIS DRAWING IS A CONTROLLED DOCUMENT.

DWN	TE Connectivity Ltd. NAME HARD TRAY ASSY FH 0.5 BTB CONNECTOR 440POS PLUG 5H W/G-PLATE ON 2 ROW CAP
CHK	
APVD	
PRODUCT SPEC	
APPLICATION SPEC	
WEIGHT	SIZE CAGE CODE DRAWING NO
CUSTOMER DRAWING	A3 00779 C=1827233
SCALE 4:1	SHEET 3 OF 4
REV C	RESTRICTED TO

REVISIONS					
P	LTR	DESCRIPTION	DATE	DWN	APVD
-	-	SEE SHEET 1	-	-	-



REFERENCE P.C.BOARD LAYOUT

59.5	440	3-1827233-6
H	POS	PART NO.

THIS DRAWING IS A CONTROLLED DOCUMENT.		DWN	TE Connectivity Ltd.
DIMENSIONS: MM		CHK	
TOLERANCES UNLESS OTHERWISE SPECIFIED: 0 PLC ± 0.25 1 PLC ± 0.15 2 PLC ± 0.10 3 PLC ± 0.05 4 PLC ± 0.025 ANGLES ± 3°		APVD	
		PRODUCT SPEC	
MATERIAL	FINISH	APPLICATION SPEC	NAME
		WEIGHT	HARD TRAY ASSY FH 0.5 BTB CONNECTOR 440POS PLUG 5H W/G-PLATE ON 2 ROW CAP
		CUSTOMER DRAWING	SIZE A3 CAGE CODE 00779 DRAWING NO. C=1827233 RESTRICTED TO
		SCALE 4:1 SHEET 4 OF 4	REV C