

Data sheet

Commercial Art.No.: 92.232.2064.1

Cable assembly GST18i3K1-S 15H 20SW

GST18i3 extension cable male - free end, length 2.0 m, 3 pole, coding mains 250 V, 16 A, coding color black, strain relief color black, cable color black, cross section 1.5 mm², cable type H05Z1Z1-F, fire class: Eca



| | |
|--------------------|---------------|
| Commercial Art.No. | 92.232.2064.1 |
| EAN | 4015573421578 |
| Order Unit | 1 |

Certificates / Approvals



Technical data

General

| | |
|--|----------------------------------|
| Rated current | 16 A |
| Rated voltage | 250 V |
| Rated impulse voltage | 4 kV |
| Pollution degree | 2 |
| Mechanical coding | Code 1 |
| Lockable | self-locking (unlocking by tool) |
| Color of coding/ contact carrier | black |
| Marking of poles | L, N, PE |
| Color of housing inclusive strain relief | black |

Model

| | |
|---------------------------------|-------------------------------------|
| Nominal cross section conductor | 1.5 mm ² |
| Degree of protection (IP) | IP20 |
| Wire strip length | 9 mm |
| sheath strip length | 37 mm |
| Preparation of conductor ends | ultrasonically compressed wire ends |
| Cable type | H05Z1Z1-F |
| Cable color | black |
| Cable diameter max. | 8 mm |
| Version of cable | male - free end |
| Type of cord set | connection cable |
| Version cable end 1 | free end |

| | |
|---------------------|--------------|
| Version cable end 2 | GST18i3 plug |
|---------------------|--------------|

Material

| | |
|--|------------|
| Surface finish | Tin-plated |
| halogen free | yes |
| Continuous temperature of cable | 70 °C |
| Insulation components continuous temperature | 100 °C |
| Fire load | 0.836 kWh |
| Fire class | Eca |

Dimensions

| | |
|--------------|-----|
| Total length | 2 m |
|--------------|-----|

Classification

| | |
|------------|----------|
| ECLASS 11 | |
| ECLASS 8.1 | 27440604 |
| ETIM 7.0 | EC002587 |
| ETIM 6.0 | EC002587 |
| ETIM 5.0 | EC002587 |
| ETIM 4.0 | EC002587 |

Product compliance

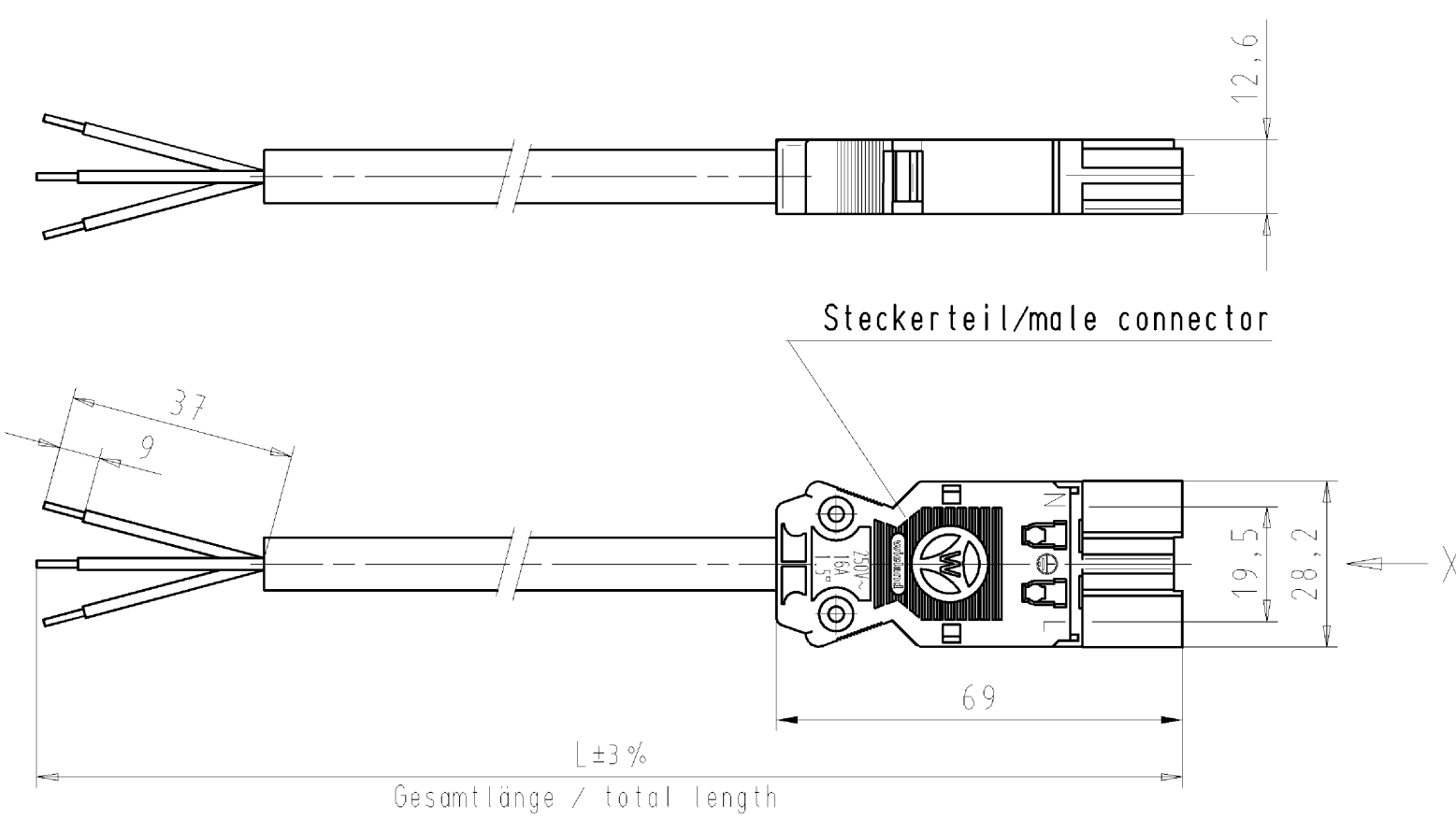
| | |
|------------------------------|--------------------|
| ROHS conformity status | Compliant/Exempted |
| ROHS exceptions | III-6(c) |
| REACH-SVHC conformity status | Duty-To-Declare |
| REACH-SVHC substances | Lead |
| REACH-SVHC CAS numbers | 7439-92-1 |

Accessories

| Commercial Art.No.: | Article-type description: | Description: |
|---------------------|-----------------------------------|--|
| 05.587.3156.0 | Lock (G)ST18 WS | Locking device for cable to cable connection GST18i3-5, white |
| 06.561.7853.0 | mounting frame GST18i3 SW | Mounting frame to snap in GST18i3 connectors into a housing or furniture. Wall thickness: 1,5-2,5 mm. Holds GST18i3 connectors with screw or spring connection and pre- assembled cables. |
| 05.561.3653.0 | cover cap GST18i3VS B WS | Cover piece for female GST18i3, white |
| 05.561.3653.1 | cover cap GST18i3VS B SW | Cover piece for female GST18i3, black |
| 05.564.5353.0 | cover cap GST18i3/4/5 SW | Cover piece 12 pole black for female parts GST18i3-6 |
| 05.564.5353.2 | cover cap GST18i3/4/5 WS | Cover piece 12 pole white for female parts GST18i3-6 |
| 05.594.4250.0 | cover cap ST18/3B + GST18i3 ST WS | |
| 05.594.4253.0 | cover cap ST18/3B + GST18i3 ST WS | |
| 05.587.3156.1 | Lock (G)ST18 SW | Locking device for cable to cable connection GST18i3-5, black |
| 06.560.0300.0 | mounting part GST18i3 SW | Lock system to provide accidental disconnection of "flying donnections" and to fix these connections to cable ladders or cable trays. Reduction of shearing forces on the strain reliefs Colour: black |

These dimensions will be especially checked at delivery
 Only inspection dimensions
 With /E marked dimensions are only valid for internal use

Diese Maße werden bei Abnahme besonders geprüft
 Ausschließlich Prüfmaße
 Mit /E gekennzeichnete Maße sind nur für interne Zwecke gültig



Steckerteil/male connector

Gesamtlänge / total length

Kabel/cable: H05Z1Z1-F3G1,5 halogenfrei/hologen-free
 Farbe/colour: siehe Tabelle/see table

| .F | Farbe colour | Codierung "X" Stecker male | Kabelfarbe cable colour |
|----|------------------|----------------------------------|----------------------------|
| .1 | schwarz black | L ⊕ N | schwarz black |
| .2 | weiß white | L ⊕ N | weiß white |
| .3 | grau grey | L ⊕ N | schwarz black |
| .5 | rot red | L ⊕ N | schwarz black |

Weitergabe sowie Vervielfältigung dieses Dokuments, Verwertung und seine Inhalte sind verboten, soweit nicht ausdrücklich gestattet. The reproduction, distribution and utilization of this document as well as the communication of its contents to others without express authorization is prohibited.

Typ/type: GST1813K1-S 15H.. SW = schwarz/black
 WS = weiß/white
 GR01 = grau/grey
 RT03 = rot/red

| Teile-Nr. part-no. | L | Beispiel (Farbe: schwarz) example (colour: black) | Typ type |
|-----------------------|--------------------|--|-----------------------|
| 92.232.XX64.F | XX in dm-Schritten | 92.232.1064.1 = 10dm/L= 1000mm | GST1813K1-S 15H 10SW |
| U2.232.XX64.F | XX in m-Schritten | U2.232.1264.1 = 12 m/L=12000mm | GST1813K1-S 15H X12SW |
| 92.232.XX84.F | XX in dm-Schritten | 92.232.1084.1 = 10dm/L= 1000mm | |

84.F = spezielle Verpackung und Etikettierung nach A 1960.000
 special packaging and lable according to A 1960.000

Tolerierung Size ISO 14405/Tolerance system Size ISO 14405. ja/yes Stoffverbots- und Deklarationsliste nach UU-TOM-05/03 ist einzuhalten. (This ISO-standard describes the envelope principle. According to the envelope principle the deviations of form and parallelism are limited by the size tolerances). Conformity with Wieland document UU-TOM-05/03 (list of prohibited / declarable hazardous substances) to be declared!

Freitoleranz nach General tolerance CAD - Zeichnung, keine manuellen Änderungen CAD - drawing, no manual modifications allowed 1. Verwendung: First Use: Blatt: 1 von 1 Sheet: of 1

| | | | | | |
|--------------------------|--------|---------|---------------------------------|-------------------|---|
| gezeichnet/drawn | 20.01. | Dvetsch | T | 92.232.0264.1 01K | b |
| geprüft/checked | - | - | | | |
| Normgepr. / Stand. check | - | - | Maße in mm/Dimensions are in mm | | |

Vol. mm³ Ofl./Surf. mm² Ersatz für/Replacement for: -

Wieland Elektrische Verbindungen

PRE-ASSEMBLED CABLE KONFEKT_LEITUNG
 Stecker/male - freies Ende/free end 1,5qmm
 crimpversion K1 250V halogen-free

Weitere Daten siehe Katalog
 further data see catalog

922320264101K_2 CADW3027 Dvetsch 2013-01-10T08:03:23 1.000