

## Coin Cell Holders

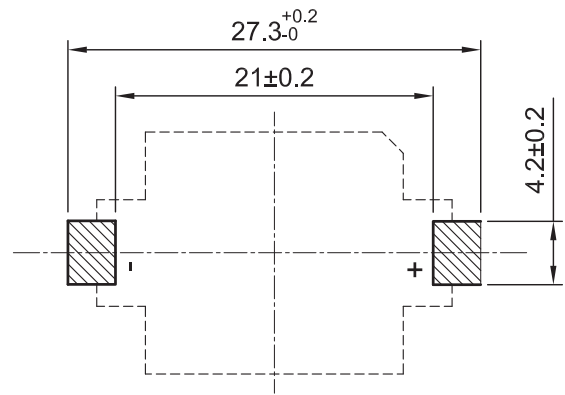
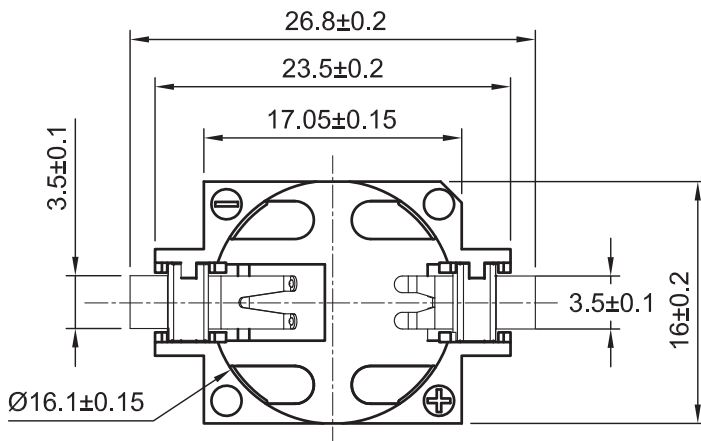
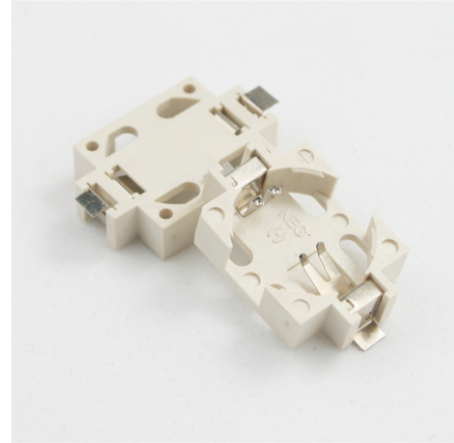
KLS5-CR1632-01 CR1632 Coin Battery Holder

**Material:**

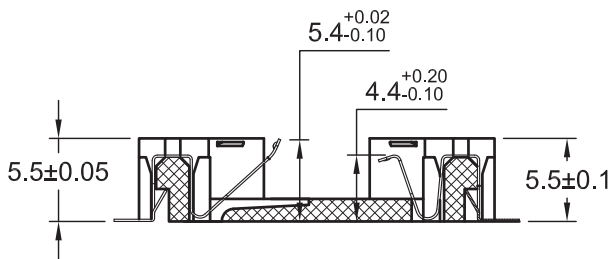
Housing: LCP  
Contacts: Phosphor Copper, Tinning

**Electrical Characteristics:**

Insulator Resistance: 100M Ohm min.  
Contact Resistance: 30m Ohm max.  
Dielectric voltage: 500V AC  
Operating Temperature: -25°C~+85°C



PCB LAYOUT DIAGRAM  
TOP VIEW



## ORDER INFORMATION

Product NO.: KLS5-CR1632-01-R

