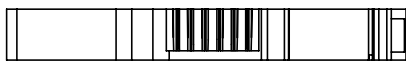
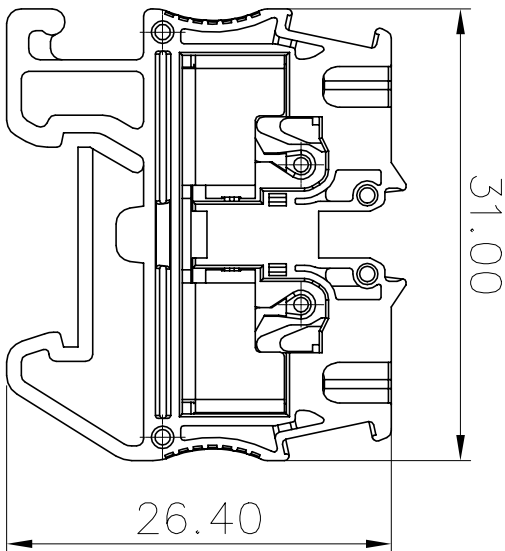
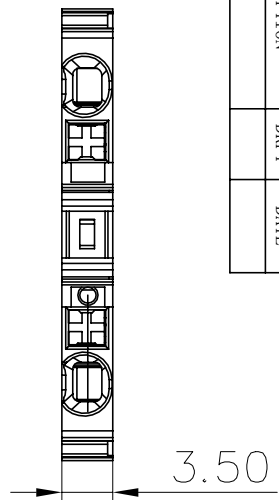
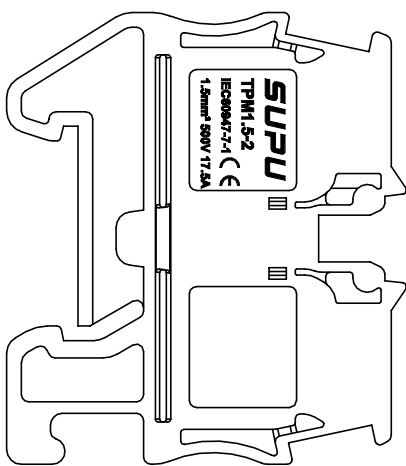


REVISION RECORD			
REV	ECN	DESCRIPTION	DATE



- Connection method:
1. For Solid wire, peel wire in right length, push down the wire.
 2. For flexible wire, peeling wire in right length, pushdown the key & fix the wire, or wire furred and fix them.



Transmittal, reproduction, dissemination and/or editing of this document as well as utilization of its contents and communication thereof to others without express authorization are prohibited.

未经允许禁止传输、复制、编辑该文档，以及利用其内容进行交流



NOTES:

- UL/CUL Standard
- 1. Conductor cross section : 16~14AWG
- 2. Rated Voltage/Current :

Use group	B	C	D
Rated voltage(V)	300	300	
Rated current(A)	15	15	

EC Standard

- 1. Conductor cross section :

Wire range(Solid/Stranded)	0.2-1.5mm ²	0.2-1.5mm ²
Solid	0.2-1.5mm ²	0.2-1.5mm ²
Stranded	0.2-1.5mm ²	0.2-1.5mm ²
Stranded with ferrules	0.2-1.5mm ²	0.2-1.5mm ²
Stranded with plastic sleeve	0.2-1.5mm ²	0.2-1.5mm ²
Stranded with ferrules with plastic sleeve	0.2-1.0mm ²	

- 2. Rated Voltage/Current :

Surge voltage category	III
Pollution degree	3
Rated surge voltage(KV)	6
Rated voltage(V)	500
Rated current(A)	17.5

Material:

Insulator	PA66	PA66 V-0
Conductor	Copper alloy	Sn Plated
Spring	Stainless steel	

General information:

1. Dimension shall be interpreted per ASME Y14.5-2009
2. Stripping length : 8~9mm
3. Operating temperature: -40°C~+105°C
4. RoHS Compliance
5. Undimensioned Tolerances:

Pitch Range	mm	mm	mm	mm	mm	mm	mm	mm	mm	mm	mm	mm	mm
Over	6	Over	10	Over	30	Over	60	Over	100	Over	150	Over	150
To	10	To	24	To	30	To	60	To	100	To	150	To	150
	±0.15	±0.20	±0.30	±0.30	±0.50	±0.50	±0.70	±1.00	±1.30	±2.00	±2.00	±2.00	±2.00

HOW TO ORDER:

TPM1.5-2-GY

- Series: GY: Grey, BU: Blue, OG: Orange
- Color: GY: Grey, BU: Blue, OG: Orange

订货号	TPM1.5-2-XX	名称	TP系列直插式弹簧	公差	未注公差	表面	VDI21
项目	签字	日期	1.5mm ² 一进一出	图号	PRM002281	版本号	M1
设计	日期	03/09/21	接微型端子	材料	NOTES	Revision Number	/
审核	CW	03/09/21		工艺	211525001	重量	/
检查	CW	03/09/21		标准化	211525003	比例	1:1
批准	LWL	03/09/21		物料号	211525004	Scale	mm
批准	LWL	03/09/21		物料号	211525004	比例	1:1
批准	LWL	03/09/21		物料号	211525004	比例	1:1

NINGBO SUPU ELECTRONICS CO.,LTD.