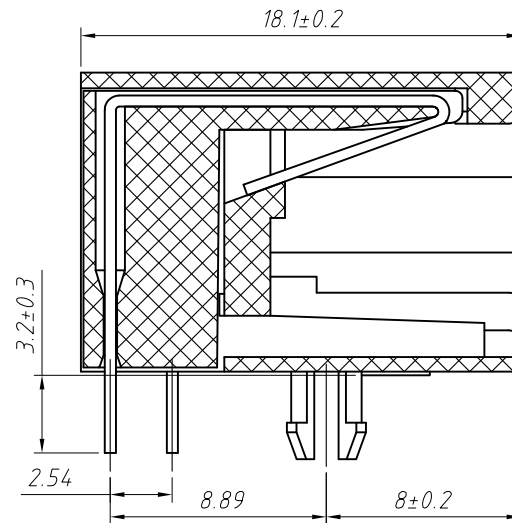
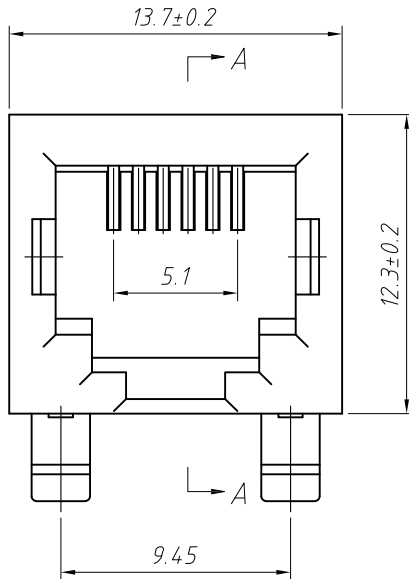


PCB Layout



SECTION A-A

Material:
Housing: PBT+Glass Filled Polyester
Flammability Rating: UL94V-0
Contacts: Phosphor Bronze $\phi 0.46\text{mm}$
Plating: Gold Plating

Electrical:
Voltage Rating: 125VAC
Current Rating: 1.5A
Contact Resistance: 30m Ω Max.
Insulation Resistance: 500M Ω Min.
Dielectric Strength: 1000VAC Rms 50Hz, 1 Min.
Durability: 600 cycles Min.
Operation Temperature: -40°C ~ +70°C

Order Information

L-KLS12-302-6P6C - 1 - XX

RoHS

Contacts: 6P6C

Color Code:

1-Black

Plating Code:

01-Fu" Gold Plating

02-3u" Gold Plating

03-6u" Gold Plating

04-15u" Gold Plating

05-30u" Gold Plating

GENERAL TOLERANCE	PROJECTION		Description:
X. ± 0.50	UNITS	mm	RJ12-6P6C Modular jacks
.X ± 0.25	SCALE	1:1	
.XX ± 0.10	Draw by:	Jenny	
ANGLE TOLERANCE	Check by:	Daniel	KLS P/N: L-KLS12-302-6P6C-1-XX
X. $\pm 5^\circ$	Date	2018-03-01	NingBo KLS ELECTRONIC CO.,LTD.
.X $\pm 3^\circ$	SHEET	1 OF 1	
.XX $\pm 2^\circ$			