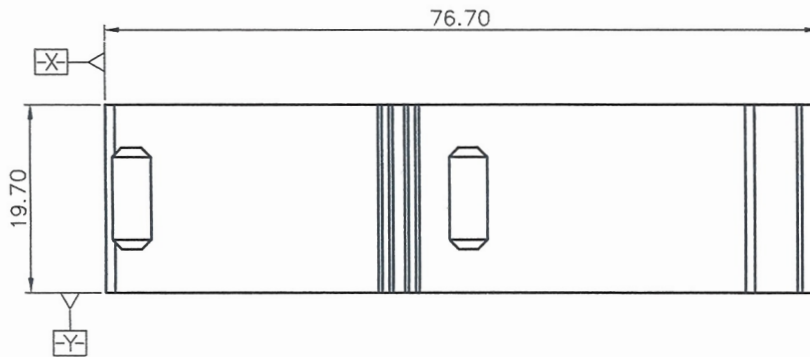
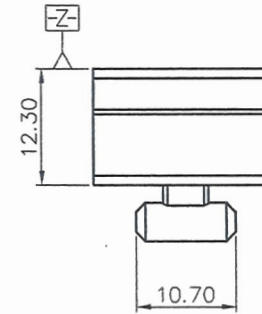
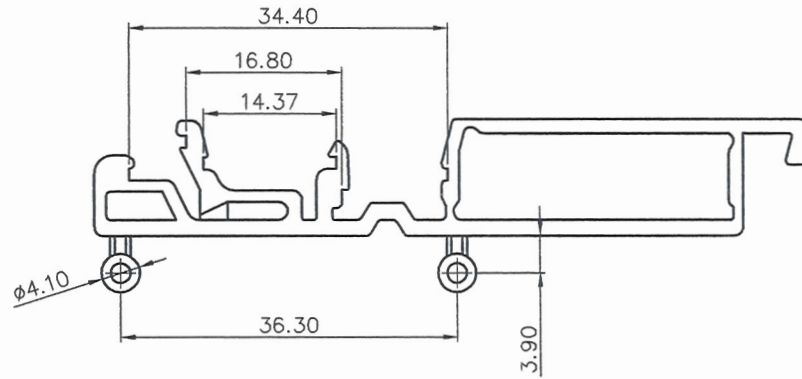


REVISION RECORD

REV	ECN	DESCRIPTION	DRFT	DATE
-----	-----	-------------	------	------

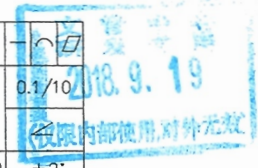


NOTES:

- 1.Dimension shall be interpreted per ASME Y14.5-2009
- 2.Undimensioned Tolerances:

Pitch range in mm			Nominal dimension range in mm					0.1/10
TO	Over	Over	TO	Over	Over	Over		
6	10	24	30	60	100	150		
±0.15	±0.20	±0.30	±0.30	±0.50	±0.70	±1.00	±1.30	

3.RoHS Compliance



ITEM	NAME OF PART	MATERIAL	NOTES
1	Housing	PA66	UL94V-0
<b>PART NO.:</b> 宁波高松电子有限公司 <b>DEGSON®</b> NINGBO DEGSON ELECTRICAL CO., LTD			
<b>APPD:</b> <i>Shenji 2018.9.13</i> <b>NAME:</b> DMK108-11.25-01P-1Y-00A(H) SUPPORT <b>CHKD:</b> <i>Mark zhong 9/13/18</i>			
<b>DRFT:</b> LYU 2018.09.10 <b>TITLE:</b> CUSTOMER DRAWING <b>REV</b> TO <b>DRAWING NO.:</b> DMK108-C08 <b>SHEET</b> 1/1 <b>MM (INCH)</b> DO NOT SCALE DRAWING <b>SCALE</b> 1:1			

DETACHED LISTS

