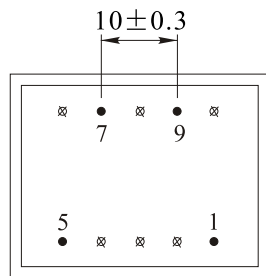
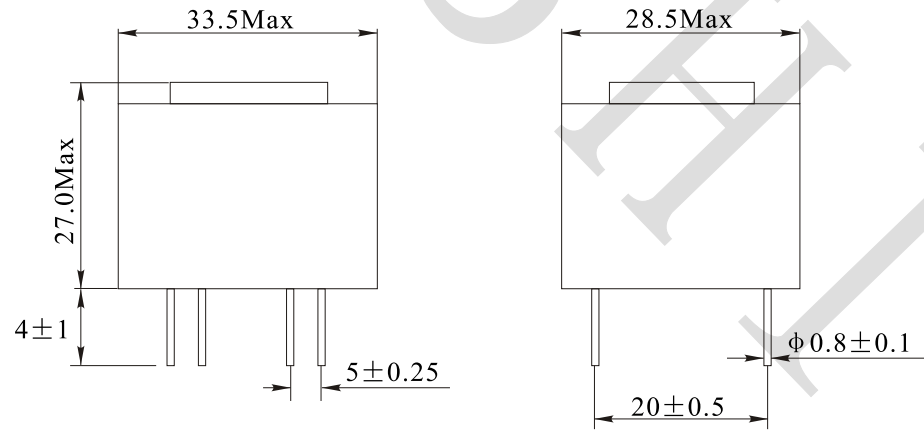


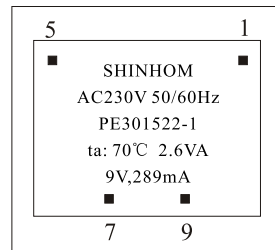
Rev.	Description	Date
A0	New release	2022.05.18

1. PHYSICAL CHARACTERISTICS(mm)

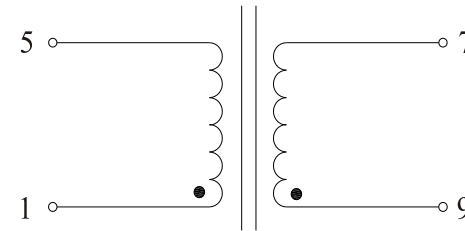


Bottom view

Top marking



2. ELECTRONICAL SCHEMATIC



3. ELECTRONICAL SPECIFICATIONS

- Pri voltage: 230V,50Hz
- Sec load voltage: 9.0V±0.5V@289mA
- Noload votlage: 14.0V±0.5V
- Output Power: 2.6VA
- Hi-Pot: 4000V,50Hz,1mA,10S Pri to Sec

Note:

- Solderability: leads shall meet MIL-STD-202, Method 208D for solderability.
- Flammability: UL94V-0
- ASTM oxygen index: >28%

NOTES:

Temp 20°C 48%RH
RoHS Compliant

NAME:	Potting Transformer		
CUSTOMER P/N:	BV EI 304 2041	DATE:	2022-05-18
SHINHOM P/N:	PE301522-1	REV: A0	PAGE
DRAWN BY	CHECKED BY	APPROVE BY	



SHINHOM
SHAANXISHINHOM ENTERPRISE CO LTD

The Document property belong to SHINHOM & is not allowed to be duplicated without authorization