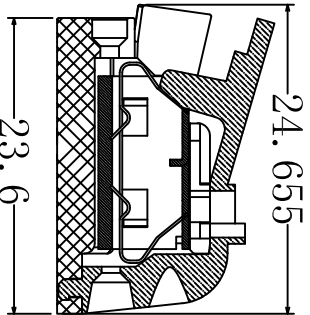
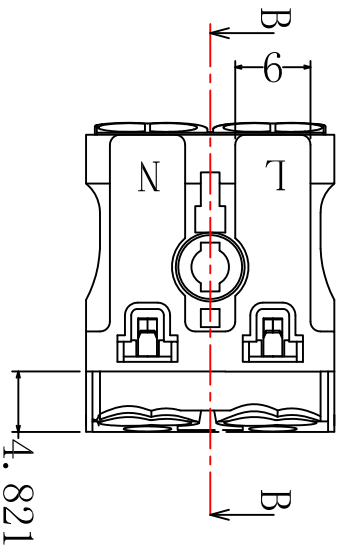
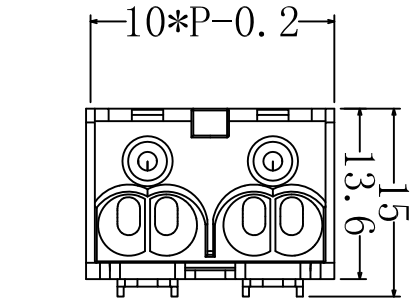


REV	Revision records		Drawing/Date	Audit/Date
A	New issue		Zeng Chungen/29 Dec 2015	

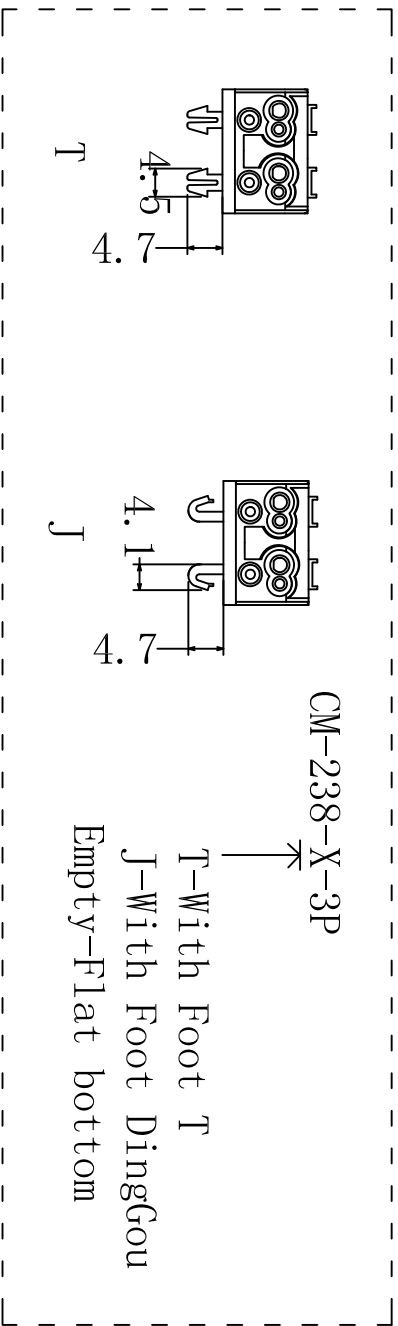


**Material characteristics**

- Hardware: Brass
- Tin planting
- Shrapnel: stainless steel
- Plastic part: PC UL94V-0

**Technical Parameters**

VDE	UL
Rated Voltage:	450V 600V
Current:	24A 16A
Wire size:	0.5~2.5mm <sup>2</sup> 18~14AWG



Without individual tolerance reference					Drawing categories	Product diagram	Part No.	*****		
0.5~3	3~6	6~30	30~120	>120	Dimension units	m m	Drawing No.	G056-1		
±0.08	±0.15	±0.20	±0.30	±0.40	Projection method		Scale	1:1	Page	A4

Item No.	CM-238-X-2P	Quick terminal block	
Type			