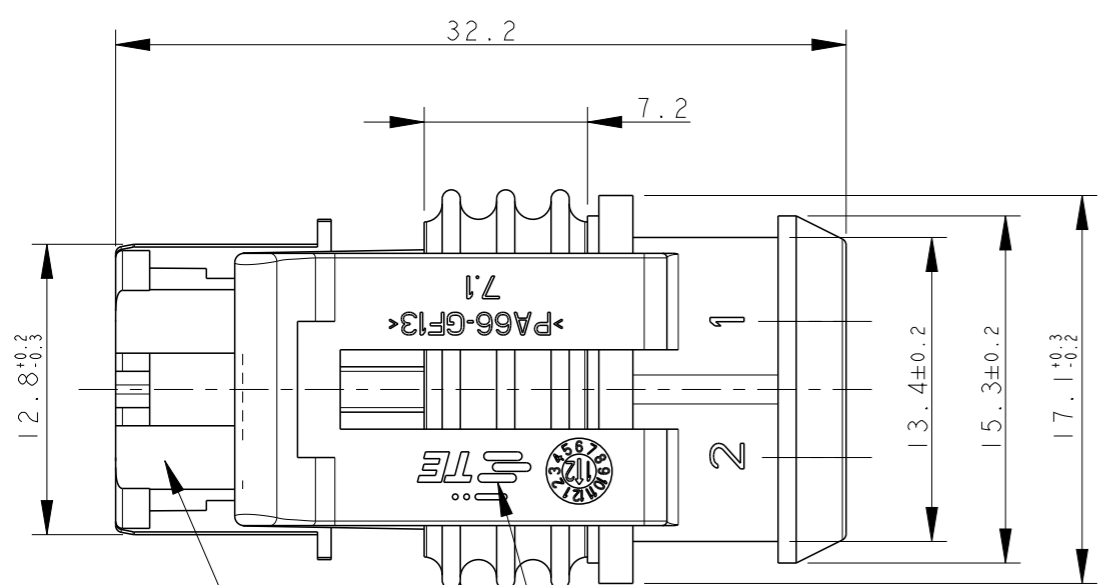
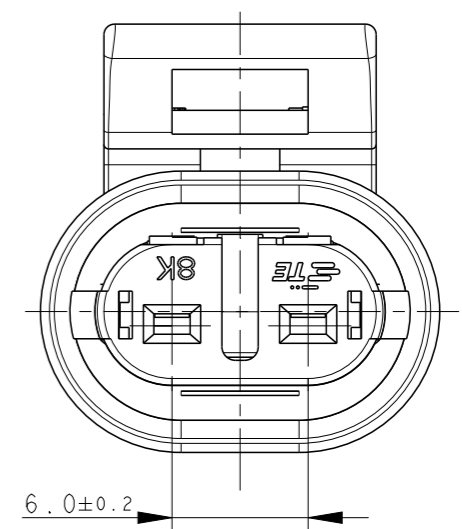
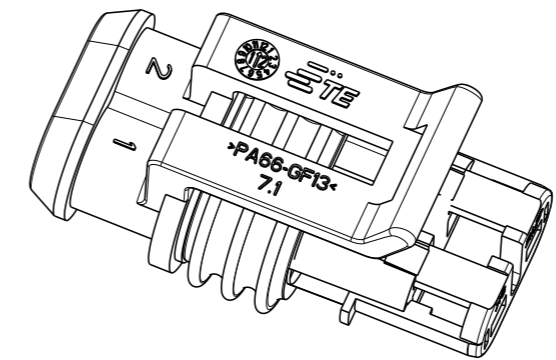
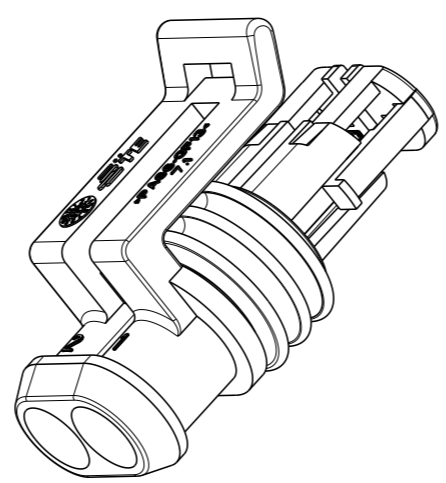
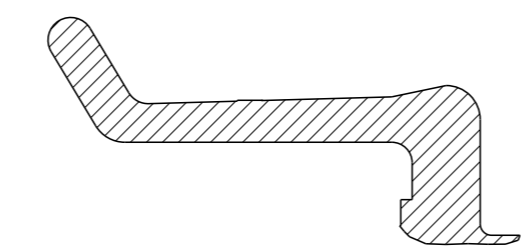
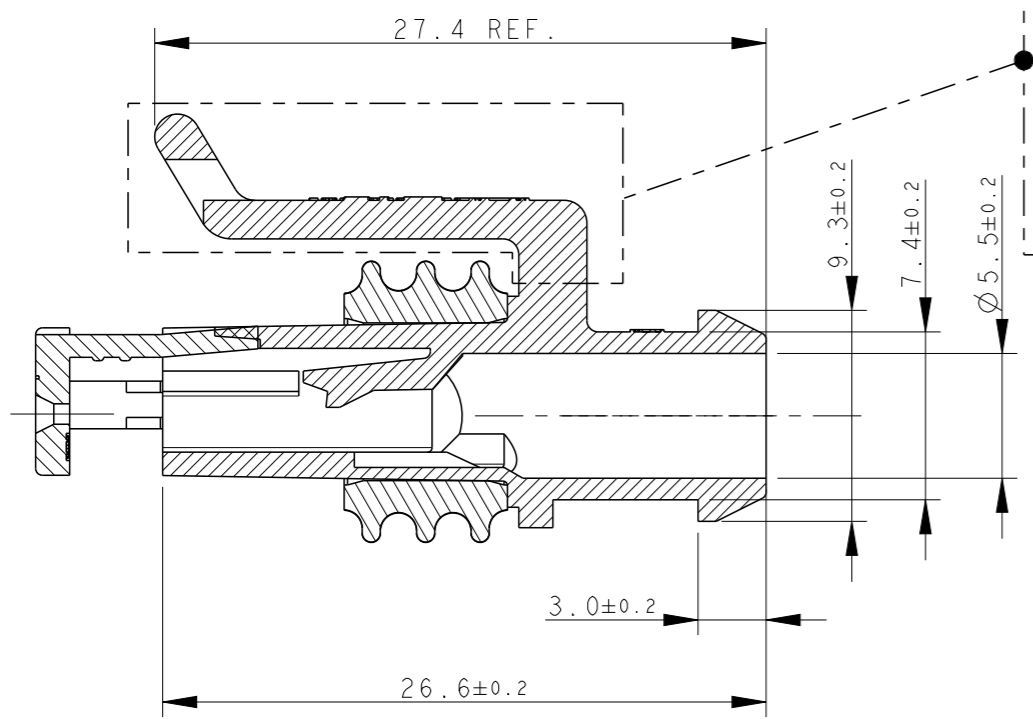


THIS DRAWING IS UNPUBLISHED. RELEASED FOR PUBLICATION 2011
COPYRIGHT 2011 ALL RIGHTS RESERVED.

P	LTR	DESCRIPTION	DATE	DWN	APVD
D2		ADDED FSL SEAL VERSION (ECO-15-016364)	13NOV2015	M.G.	M.G.
D3		REVISED PER ECO-17-001706	10FEB2017	C.A.	M.G.

ALTERNATIVE DESIGN OF LOCKING LANCE



1) FOR COUNTERPART DETAILS, SEE SHEET 2 OF 2

FINISH/COLOR	MATERIAL	PART NUMBER
(*) NOT YET RELEASED FOR PRODUCTION	BLACK	HOUSING+SEC.LOCK:PA66-GF SEALING: FSL
	BROWN	HOUSING+SEC.LOCK:PA66-GF SEALING: LSR
	GREEN	HOUSING+SEC.LOCK:PA66-GF SEALING: LSR
	GRAY	HOUSING+SEC.LOCK:PA66-GF SEALING: LSR
	BLACK	HOUSING+SEC.LOCK:PA66-GF SEALING: LSR
		1-282080-1 (*)
		282080-4
		282080-3
		282080-2
		282080-1

TE CONNECTIVITY TRADE MARK, (IN ALTERNATIVE: "AMP" LOGO, OR "Tyco Electronics" LOGO)

SEALING (COLOUR YELLOW FOR LSR VERSION) (COLOUR WHITE FOR FSL VERSION)

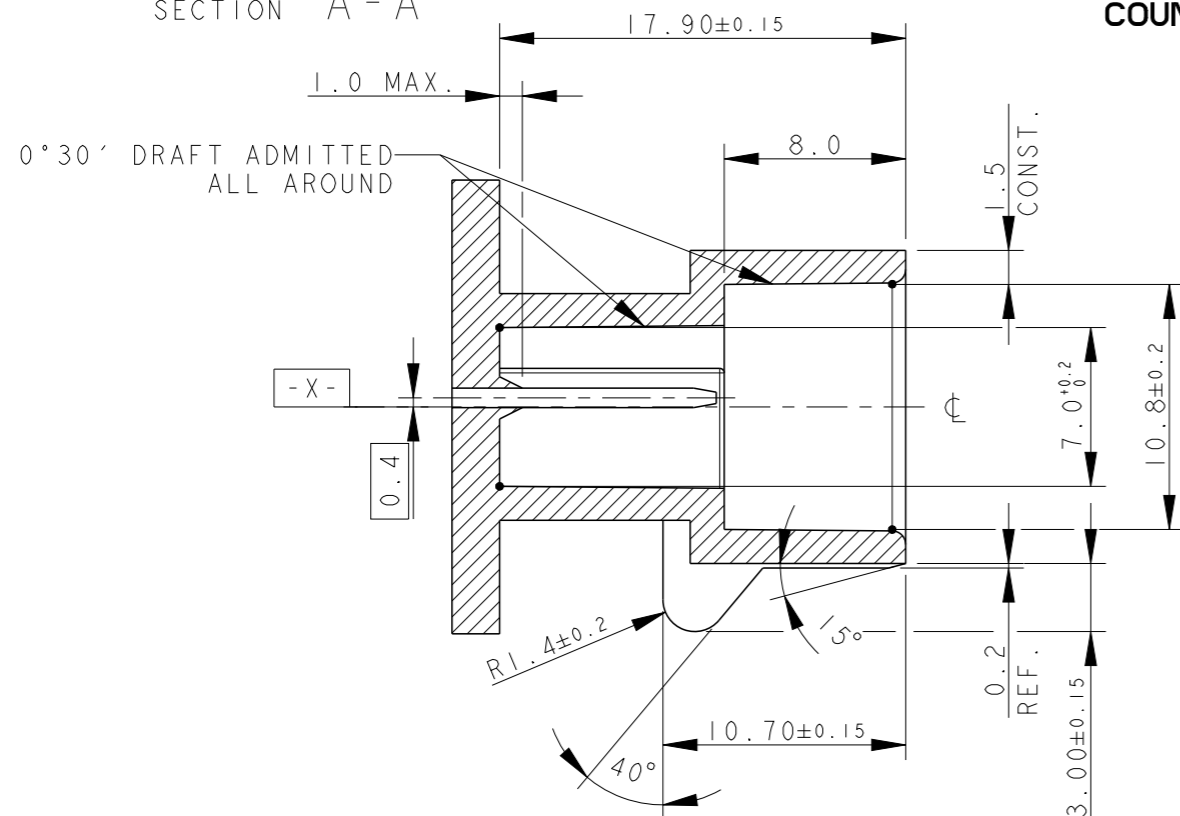
PRE-ASSEMBLED SECONDARY LOCK (COLOUR RED)

THIS DRAWING IS A CONTROLLED DOCUMENT.		DWN C. BERTINI 05-1992	STE TE Connectivity	
DIMENSIONS: mm		CHK A. BRUNI 05-1992		
TOLERANCES UNLESS OTHERWISE SPECIFIED:		APVD -	NAME -	
0 PLC ±-		PRODUCT SPEC 108-20090	AMP SUPERSEAL 1.5 SRS. 2 POSITIONS PLUG ASS'Y	
1 PLC ±0.3		APPLICATION SPEC 412-20000	SIZE A3	CAGE CODE 00779
2 PLC ±-		WEIGHT 2.60gr	DRAWING NO C-282080	RESTRICTED TO -
3 PLC ±-		Customer Drawing	SCALE 3:1	SHEET 1 OF 2
4 PLC ±-				REV D3
ANGLES ±2°				
FINISH -				
MATERIAL -				
SEE TABLE				

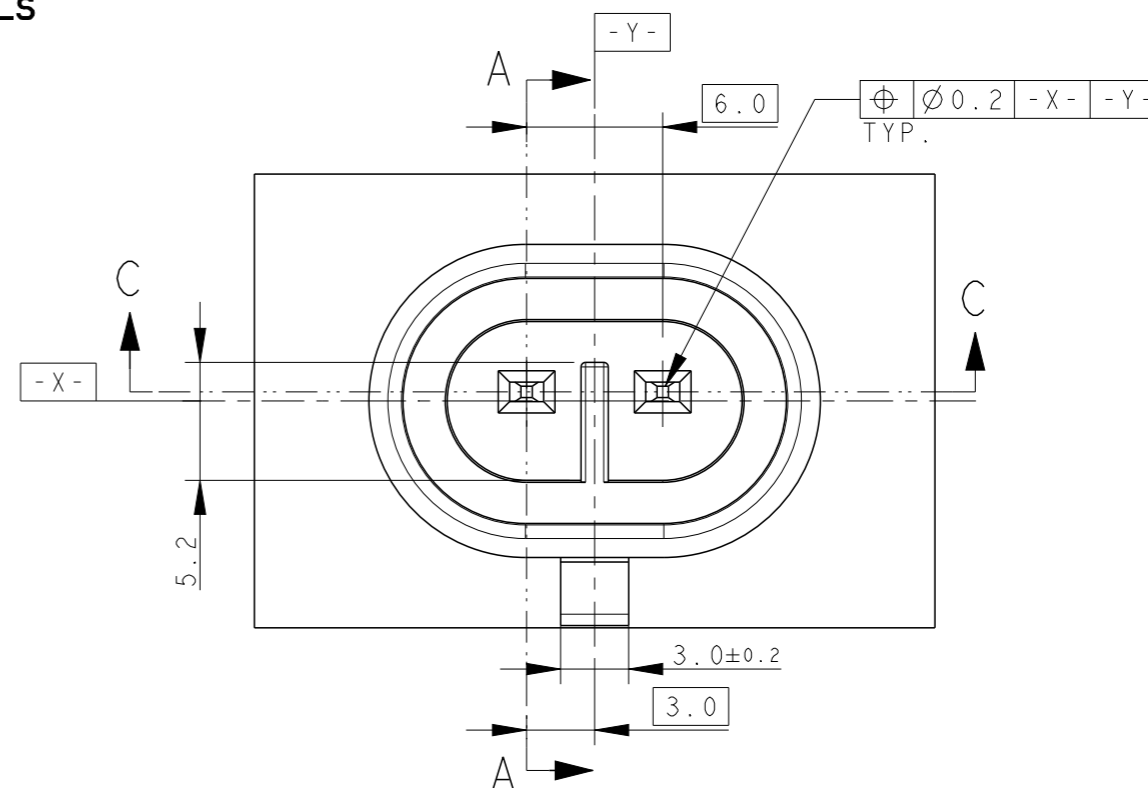
REVISIONS

P	LTR	DESCRIPTION	DATE	DWN	APVD
-	-	SEE SHEET 1	-	-	-

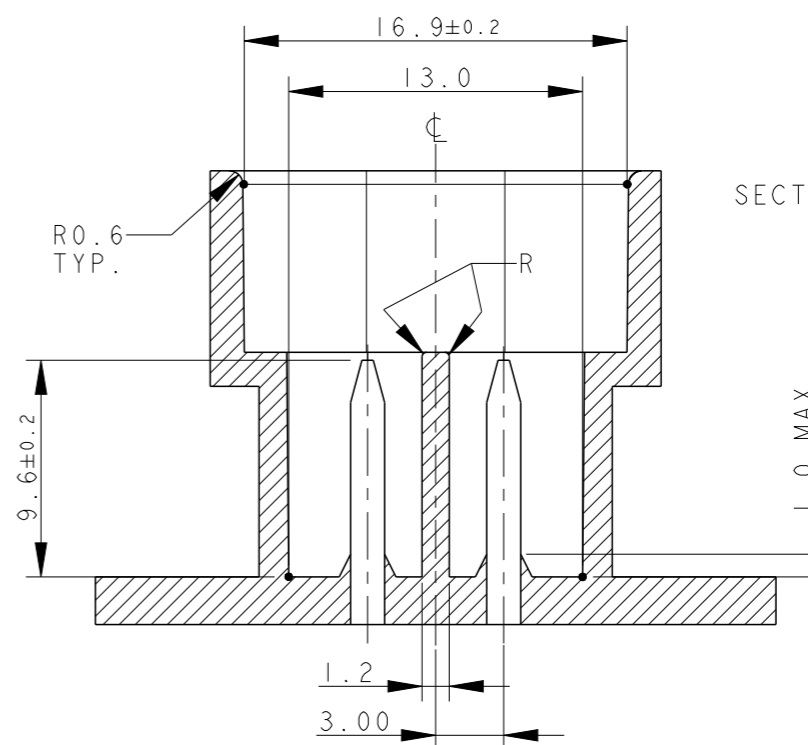
SECTION A - A



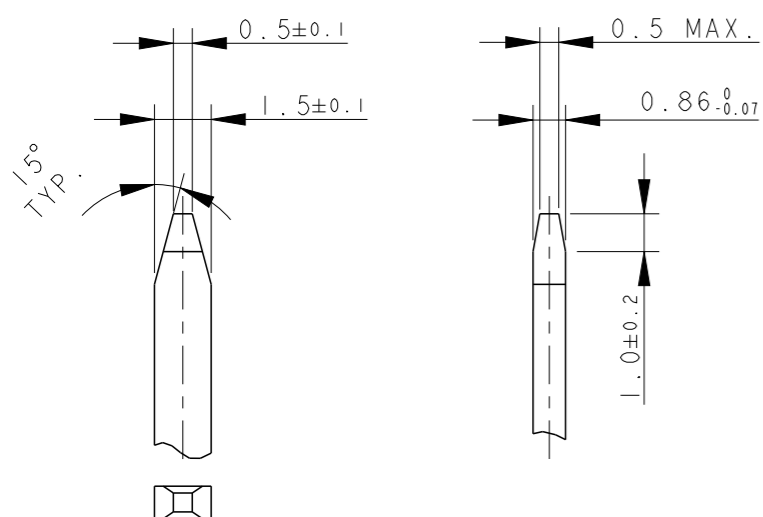
COUNTERPART DETAILS



SECTION C - C



TAB DETAILS



MATERIALS: PA66-GF FOR HOUSING
TIN PLATED BRASS FOR TABS

THIS DRAWING IS A CONTROLLED DOCUMENT.

DWN C. BERTINI 05-1992

CHK A. BRUNI 05-1992

APVD -

PRODUCT SPEC

108-20090

APPLICATION SPEC

412-20000

WEIGHT 2.60gr



NAME -

AMP SUPERSEAL 1.5 SRS.
2 POSITIONS PLUG ASS'Y

SIZE CAGE CODE DRAWING NO RESTRICTED TO

A300779 C-282080 -

Customer Drawing SCALE 5:1 SHEET 2 OF 2 REV D3

DIMENSIONS:
mm



TOLERANCES UNLESS OTHERWISE SPECIFIED:

- 0 PLC ±0.3
- 1 PLC ±0.1
- 2 PLC ±0.05
- 3 PLC ±
- 4 PLC ±
- ANGLES ±2°

