

High - output Piezo Alarm Transducer



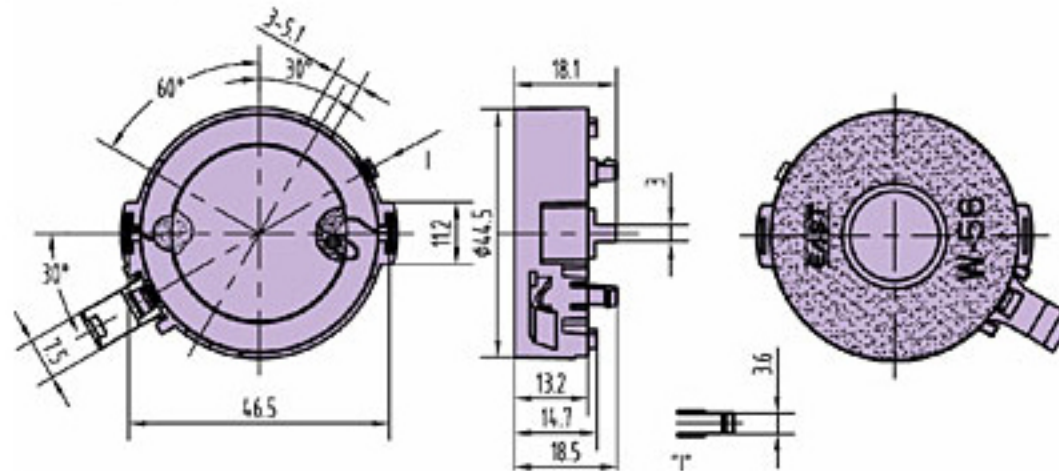
□ W-56



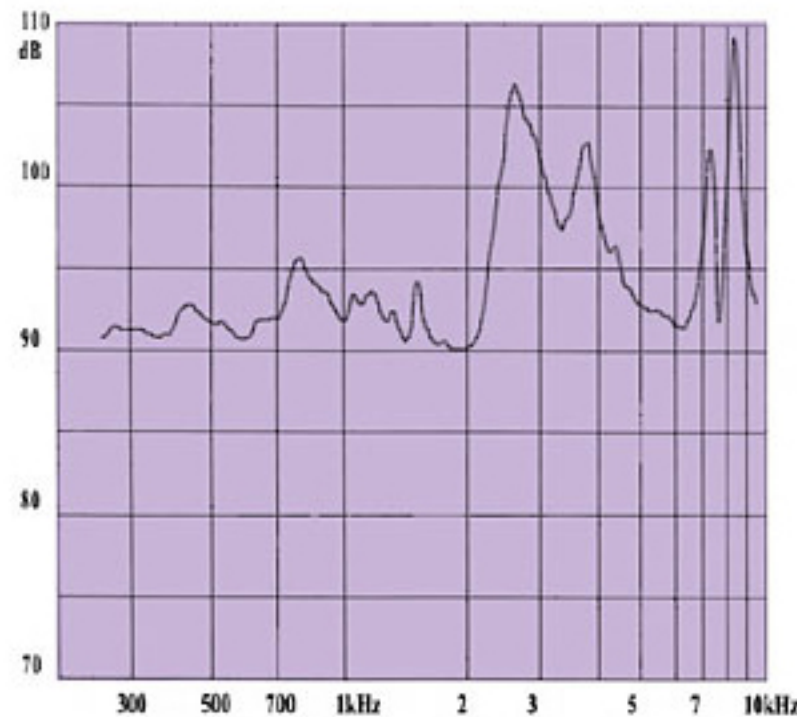
FEATURES:

- High Output and High Impedanc
- A Glass Reinforced Nylon Housing
- Water Proof

DIMENSIONS: (Unit: mm)



CHARACTERISTICS:



ELECTRICAL SPECIFICATIONS :

| | |
|--------------------------------|------------------------------------|
| Min. Sound Pressure Level (dB) | 90 /1 ~5kHz/1.2Vp-pSine Wave/100cm |
| Resonant Frequency (kHz) | 1~5 |
| Capacitance at 120Hz (nF) | 140±30 |
| Allowable Input Voilage (Vp-p) | 50 |
| Operating Temperature (°C) | -40 ~ +85 |
| Weight (g) | 9.2 |
| Case Material/Colour | PA66/Black |

PACKING INFORMATION :

| | |
|---------------|---------------------------|
| Packing : | 500 pcs per export carton |
| Carton Size : | 47 X 30.5 X 25 cm |
| G. Weight : | 6.1 kgs |
| N. Weight : | 4.6 kgs |