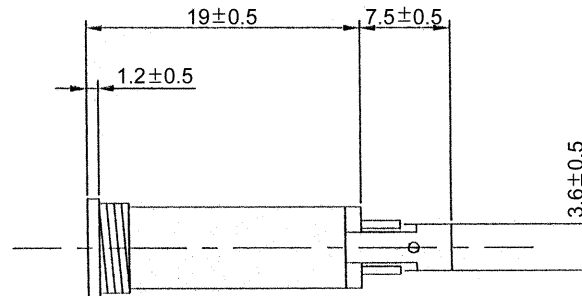
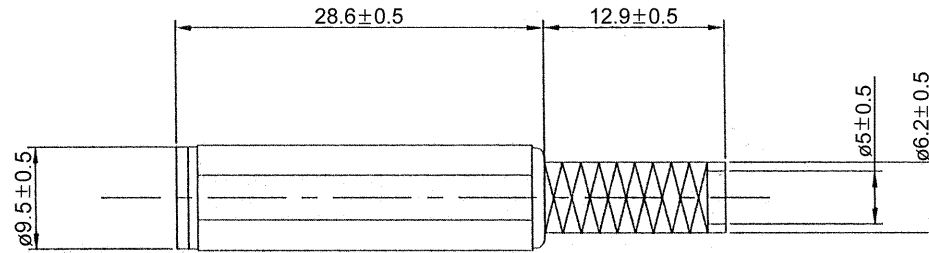
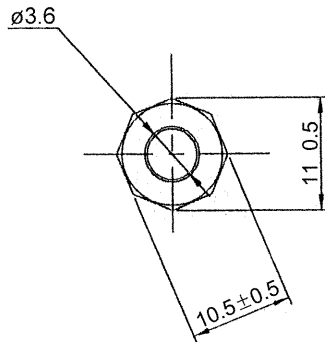


RoHS STANDARD



Technical requirement :

- 1 . This product should meet EU RoHS related requirement.
- 2 . The surface of plastic part should be without any crackle such as burr,lack,and so on phenomenon.
- 3 . The surface of metal part should be without any defect such as scour,nick,oxidation and plating problem.
- 4 . The electronic performance should be the same as spec.
- 5 . The un-specified tolerance is : 0~1.5 ± 0.1  
1.5~20 ± 0.2

Specification :

- Contact Resistance : 30m ohm max.
- Insulation Resistance : 100M ohm min. at DC 500V
- Dielectric Strength : 500V for one minute.

**DCI** DRAGON CITY INDUSTRIES LIMITED

PART NAME	3.5mm STEREO INLINE PLUG	TOLERANCE : ±
PART NO.	NP-306-EN	UNIT: MM

DESIGN	K.W LAW	REMARK		SCALE	
DRAWING	W.K YEUNG	REMARK		MATERIAL	
CHECK	K.L WONG	REMARK		DWG. NO.	71022-1605
APPROVAL	K.W CHAN	REMARK		SHEET	