

Data sheet

Commercial Art.No.: Z5.566.5956.0

Contact carrier female insert FLE BUKT 1 05



Commercial Art.No.	Z5.566.5956.0
EAN	4049088253089
Order Unit	1

Certificates / Approvals



Technical data

General

Model	Contact carrier female insert
Inflammability class of insulation material acc. with UL94	Other
Pollution degree	3
Modular version	yes
Operating temperature range min.	-40 °C
Operating temperature range max.	70 °C

Connection Data

Connection type	Crimp
Number of poles	1
With wire protection	No

Technical Data UL/CSA

Min. conductor cross section flexible wire	0.14 mm ²
Max. conductor cross section flexible wire	2.5 mm ²

Model

With housing	No
--------------	----

Contacts

Contact material	See contacts
Surface	See contacts

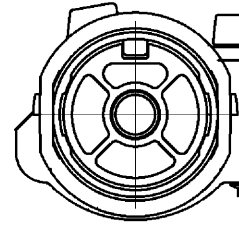
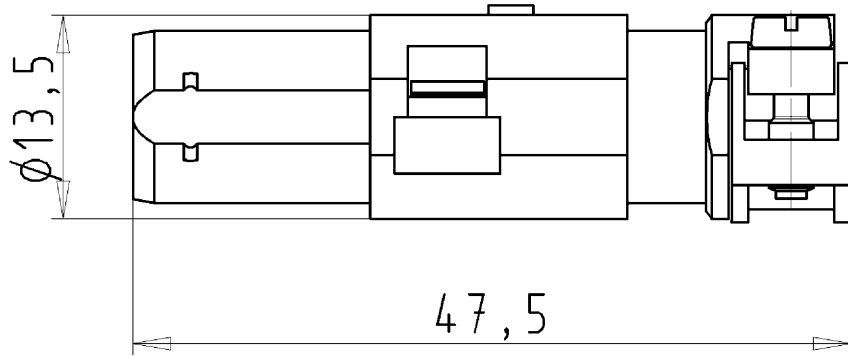
Technical Data DIN EN 61984

Nominal voltage	50 V
Nominal current	10 A

Rated impulse voltage	0.8 kV
-----------------------	--------

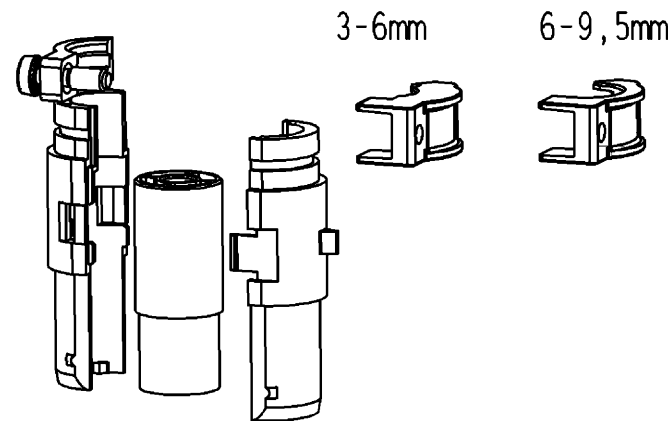
Classification

ECLASS 11	
ECLASS 8.1	27440205
ETIM 7.0	EC000438
ETIM 6.0	EC000438
ETIM 5.0	EC000438
ETIM 4.0	EC000438



Weitergabe oder Vervielfältigung dieses Dokuments, Verwertung und Mitteilung seines Inhalts sind **verboten**, soweit nicht ausdrücklich gestattet. Die Reproduktion, Distribution und Utilization of this document as well as the communication of its contents to others without express authorization is prohibited.

Anlieferungszustand/delivery condition
M 1:1



Z5.566.5956.0	FLE BUKT	1	05		X
Bestellnummer /Order number	Typ /Type	Varianten /Variants			der- gestellt /drawed
Weitere Daten siehe KATALOG oder eKatalog. Additional data see CATALOG or eCatalog.				www.wieland-electric.com eshop.wieland-electric.com	

Tolerierung Size ISO 14405(Ⓒ)/Tolerance system Size ISO 14405(Ⓒ).
 (This ISO-standard describes the envelope principle. According to the envelope principle the deviations of form and parallelism are limited by the size tolerances).

ja/yes Stoffverbots- und Deklarationsliste nach UU-TQM-05/03 ist einzuhalten.
 Conformity with Wieland document UU-TQM-05/03 (list of prohibited / declarable hazardous substances) to be declared!

Freitoleranz nach General tolerance	CAD - Zeichnung, keine manuellen Änderungen CAD - drawing, no manual modifications allowed	1.Verwendung: First Use: 78.009.0253.0	Blatt: 1 von 1 Sheet: 1 of 1
	Werkstoff/Material Zink, Polycarbonat	2014 Tag/Date Name	Zeichnung Nr./Drawing No. Index
	Maßstab/Scale 2:1	gezeichnet drawn 13.03. Duetsch	Z5.566.5956.0 13K
	Vol. mm ³ Oil./Surf. mm ²	geprüft checked - -	
		Normgepr. Stand., check - -	Maße in mm/Dimensions are in mm

Index	Datum / Blatt Date / Sheet	 wieland www.wieland-electric.com	Type	Benennung/Tittle	CONTACT FIXING ELEMENT KONTAKT_TRAEGER
Änderung/Revision					Buchsenkontakt/female contact

A
 B
 C
 D
 E
 F

1
 2
 3
 4
 5
 6
 7
 8
 10
 11
 12
 13
 14
 15
 16
 17
 18
 19
 20
 M1
 M2
 M3
 L
 G
 i
 11.1
 12.1
 1.1
 Z55665956013K_2 CADW3027 Duetsch 2014-03-13T08:57:11 1.000