

## Data sheet

Commercial Art.No.: 93.941.0558.0

Connector ST17/2 B1 ZEV1WS

Connector ST17, 2 pole, female, screw connection, up to 2,5 mm<sup>2</sup>, 50V/16A, color of coding: white, color of housing: white



Commercial Art.No.	93.941.0558.0
EAN	4015573244597
Order Unit	1

Certificates / Approvals



## Technical data

### General

Rated voltage	50 V
Rated impulse voltage	4 kV
strain relief	yes
Pollution degree	3
Mechanical coding	yes
Lockable	self-locking (unlocking by tool)
Color of coding/ contact carrier	white
Marking of poles	1, 2
Color of housing inclusive strain relief	black

### Connection Data

Cable diameter max.	7 mm
Cable diameter min.	5.5 mm
Connection cross section solid mm <sup>2</sup> max.	2.5 mm <sup>2</sup>
Connection cross section solid mm <sup>2</sup> min.	0.5 mm <sup>2</sup>
Connection cross section fine stranded mm <sup>2</sup> max.	2.5 mm <sup>2</sup>
Connection cross section fine stranded mm <sup>2</sup> min.	0.5 mm <sup>2</sup>
Terminations per pole	1
sheath strip length	35 mm
Wire strip length	7 mm

### Model

Model	female
Connection type	screw connection
Degree of protection (IP)	IP20

### Material

Housing material	Polyamide
halogen free	yes
Contact material	CuZn
Fire load	0.061 kWh
Insulation components continuous temperature	100 °C

Surface finish	Tin-plated
----------------	------------

**Dimensions**

Length	54.7 mm
Width	16.2 mm
Height	22 mm

**Classification**

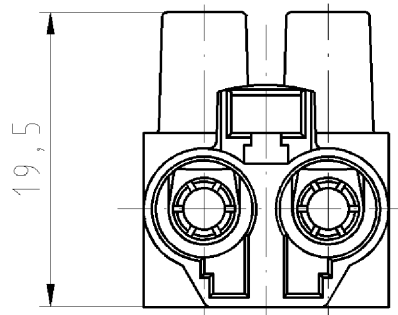
ECLASS 11	
ECLASS 8.1	27440605
ETIM 7.0	EC002560
ETIM 6.0	EC002560
ETIM 5.0	EC002560
ETIM 4.0	EC002560

**Product compliance**

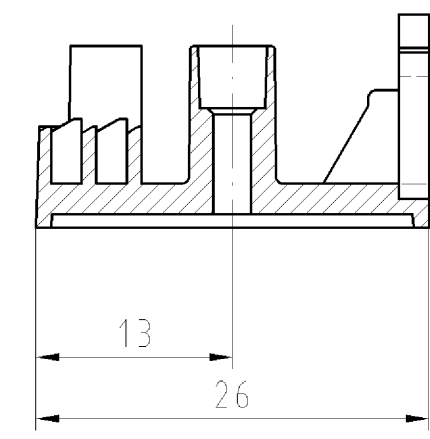
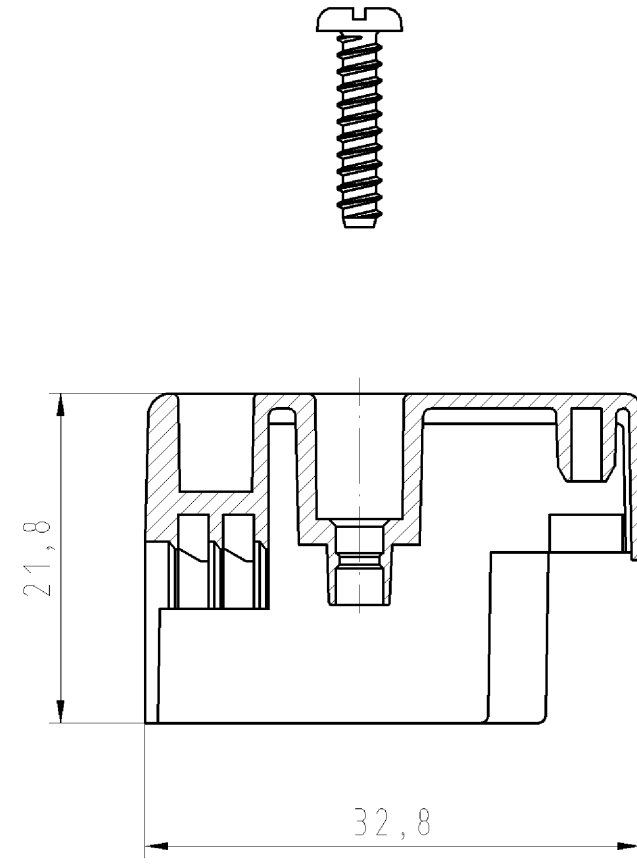
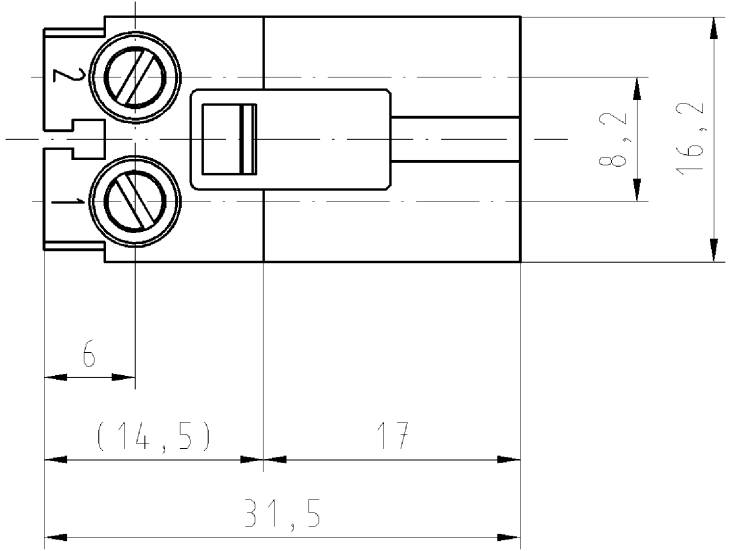
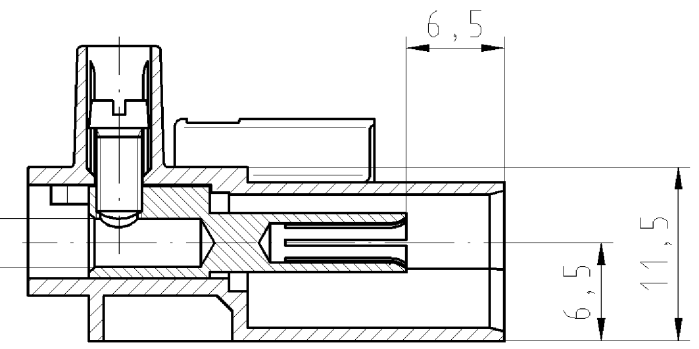
ROHS conformity status	Compliant/Exempted
ROHS exceptions	III-6(c)
REACH-SVHC conformity status	Duty-To-Declare
REACH-SVHC substances	Lead
REACH-SVHC CAS numbers	7439-92-1

These dimensions will be especially checked at delivery  
 Only inspection dimensions  
 With ±/E marked dimensions are only valid for internal use

Diese Maße werden bei Abnahme besonders geprüft  
 Ausschließlich Prüfmaße  
 Mit ±/E gekennzeichnete Maße sind nur für interne Zwecke gültig



ø3,2 Klemmraum  
 ø3,2 clamping space



Weitere Daten siehe Katalog  
 further data see catalog

Teile-Nr. part number	Typ type	Farbe colour
93.941.0558.0	ST 17/2 B1ZEV1WS	weiß
93.941.0558.1	ST 17/2 B1ZEV1SW	schwarz

Tolerierung nach DIN 7167/Tolerance system acc. to DIN 7167. (This DIN-standard describes the envelope principle. According to the envelope principle the deviations of form and parallelism are limited by the size tolerances).		ja/yes <input checked="" type="checkbox"/> Stoffverbots- und Deklarationsliste nach UU-TQM-05/03 ist einzuhalten. Conformity with Wieland document UU-TQM-05/03 (list of prohibited / declarable hazardous substances) to be declared!	
Freitoleranz nach General tolerance		CAD - Zeichnung, keine manuellen Änderungen CAD - drawing, no manual modifications allowed	1.Verwendung: First Use: -
Blatt: 1 von 1 Sheet: 1 of 1		Zeichnung Nr./Drawing No. Index	
T 93.941.0558.0 01K		Maße in mm/Dimensions are in mm	
Werkstoff/Material		2007 Tag/Date	Name
Maßstab/Scale		10.07.	Schmitt J.
1:1		gezeichnet drawn	
Vol. mm³ Ofl./Surf. mm²		geprüft checked	
Ersatz für/Replacement for: -		Normgepr. Stand. check	
wieland		Type Benennung/Title	
Elektrische Verbindungen		BUCHSENTEIL mit Zugentlastung / with strain relief female connector	
Index	Datum / Blatt Date / Sheet		
Änderung/Revision			

Weitergabe sowie Vervielfältigung dieses Dokuments, Verwertung und Mitteilung seines Inhalts sind verboten, soweit nicht ausdrücklich gestattet.  
 The reproduction, distribution and utilization of this document as well as the communication of its contents to others without express authorization is prohibited.

939410558001K\_4\_CADW1042\_Schmitt 2007-07-10T10:55:15 1.000