

FYL- 504XXX1E

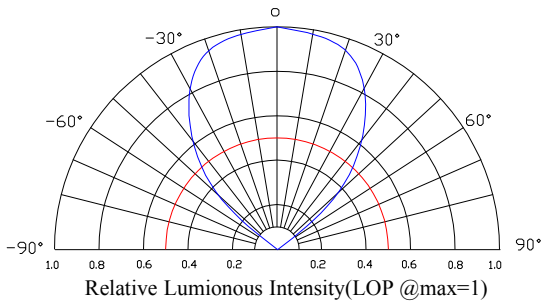
Features:

- General purpose leads
- RoHs compliant.

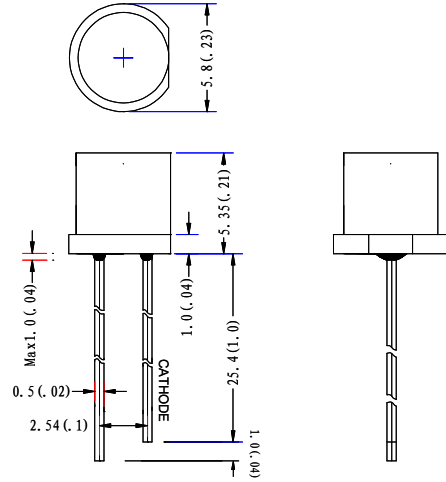
Descriptions:

- Dice material: GaP/GaAsP/InGaN/AlGaInP.
- Device Outline: $\Phi 5\text{mm}$ Cylinder Type.

Radiation pattern.



Package configuration



- ◆ All dimensions are millimeters (inches)
- ◆ Tolerance is $\pm 0.25\text{mm}(.010\text{'})$ unless otherwise noted.

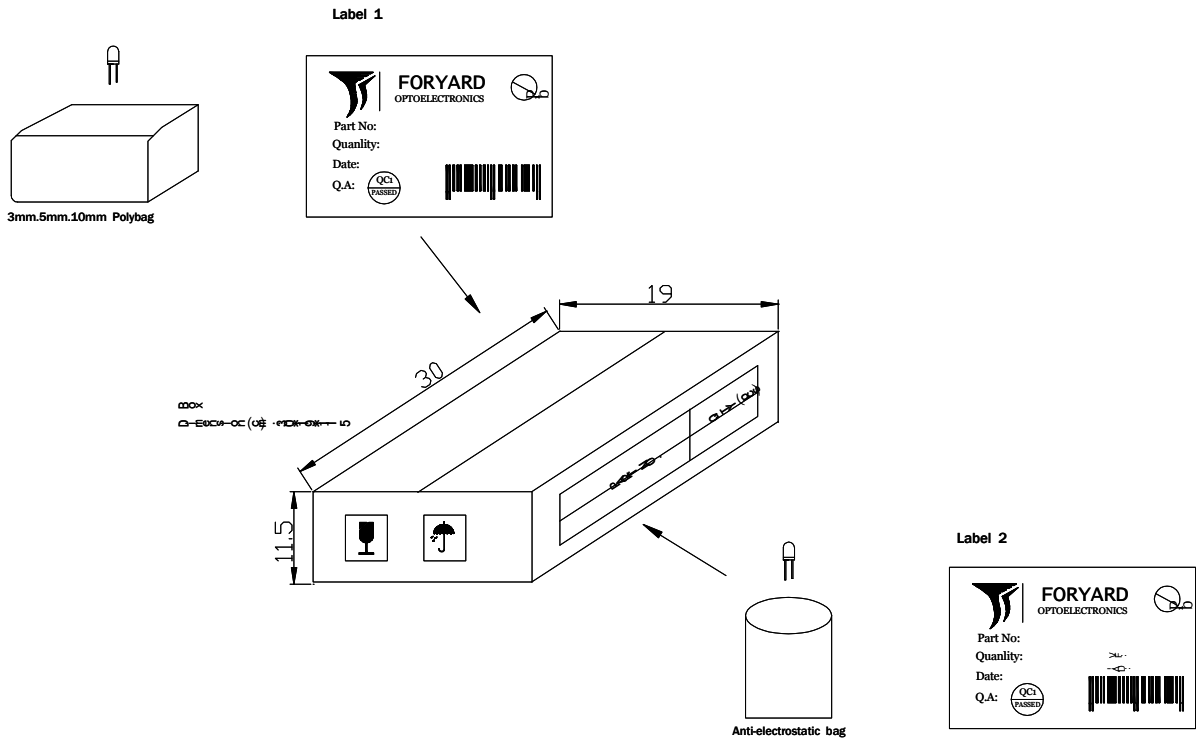
Absolute maximum ratings($T_a = 25^\circ\text{C}$)

Parameter	MAX.	Unit
Continuous Forward Current	20	mA
Derating Linear From 50°C	0.4	mA/ $^\circ\text{C}$
Reverse Voltage	5	V
Operating Temperature Range	-30°C to $+80^\circ\text{C}$	
Storage Temperature Range	-40°C to $+100^\circ\text{C}$	
Lead Soldering Temperature[4mm(.157") From Body]	260 $^\circ\text{C}$ for 5 Seconds	

Optical Characteristics at TA = 25° C,IF=20mA.

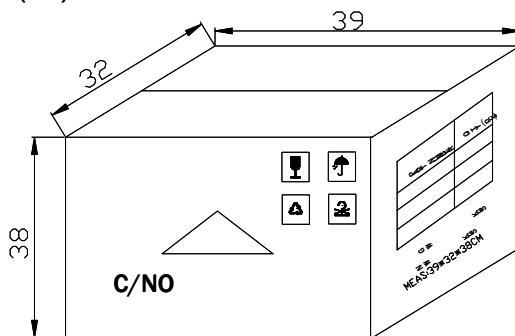
Part Number	Lens Color	Wavelength (nm)	Intensity (mcd)	Angle 2θ 1/2
FYL-5043SURC1E	Water clear	630	350	90
FYL-5043NURC1E	Water clear	630	450	90
FYL-5043LURC1E	Water clear	630	600	90
FYL-5043SUEC1E	Water clear	625	350	90
FYL-5043SUAC1E	Water clear	610	380	90
FYL-5043SUYC1E	Water clear	588	320	90
FYL-5043NUYC1E	Water clear	588	450	90
FYL-5043SUGC1E	Water clear	568	200	90
FYL-5043PGC1E	Water clear	520	1100	90
FYL-5043BGC1E	Water clear	505	1050	90
FYL-5043UBC1E	Water clear	470	550	90
FYL-5043VC1E	Water clear	410	90(mW)	90
FYL-5044UWC1E-UWW	Water clear	X:0.40 Y:0.39 CCT:3500k	1400	100
FYL-5044UWC1E	Water clear	X0.29 Y:0.30 CCT:9500k	1400	100
FYL-5044UWC1E-ULW	Water clear	X:0.25 Y:0.26 CCT:15000k	1400	100

LAMP PACKING.



DEVICE	QTY/polybag(pcs)	Polybag/box A	Fig
5mm(T-1 3/4)	1000	8 bags	Label 1
3mm(T-1)	1000	10 bags	Label 1
10mm(T-1)	250	8 bags	Label 1
Blue/Green/White	500pcs	8 bags	Label 2

CARTON
Dimension(cm):39*32*38



6 Boxes/Carton
5mm:48,000pcs
3mm:60,000pcs
10mm:12,000pcs
Blue/Pure Green/bluish Green
/White:24,000pcs