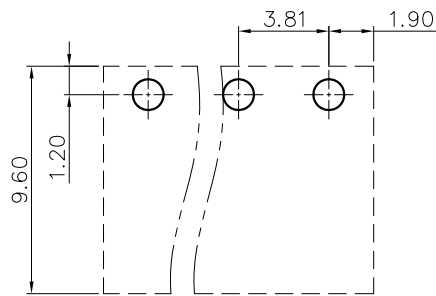
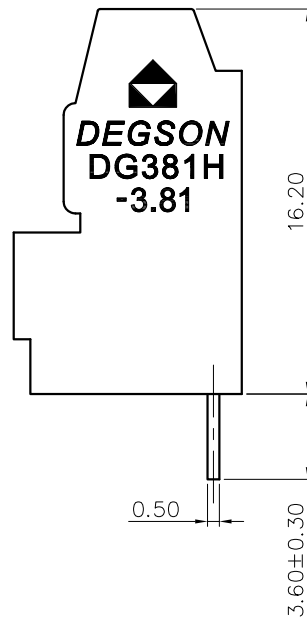
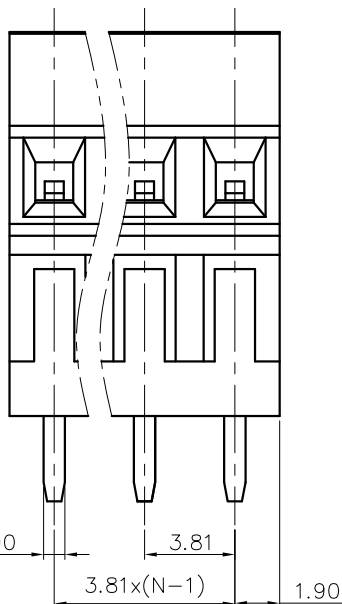
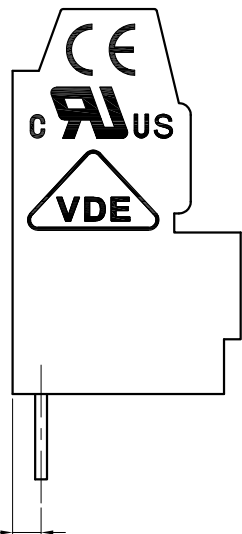
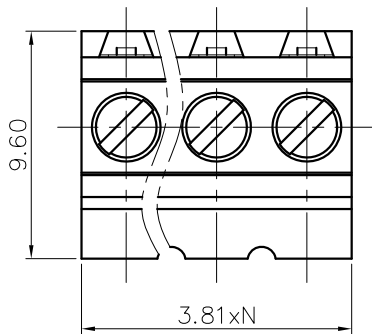


REVISION RECORD				
REV	ECN	DESCRIPTION	DRFT	DATE



PCB LAYOUT

NOTES1:

UL Standard

1. Rated Voltage/Current : 150V / 10A
2. Torque Value : M2 , 1.77Lb.in
3. Wire Range : 26~16AWG

IEC Standard

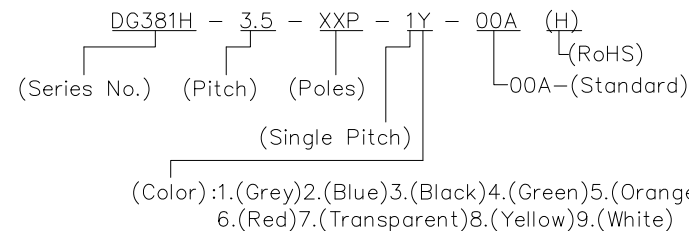
1. Rated Voltage/Current : 130V / 10A
2. Torque Value : M2 , 0.2N.m
3. Wire Range : 0.2~1.0mm²

NOTES2:

1. Dimension shall be interpreted per ASME Y14.5-2009
2. Pitch : 3.81mm, Poles : N=02~16P
3. Stripping length : 5~6mm
4. Withstanding Voltage : AC1250V/1Min.
5. Operating temperature : -40°C~+105°C
6. Undimensioned Tolerances:

Pitch range in mm		Nominal dimension range in mm				0.1/10			
TO	Over	TO	Over	TO	Over				
6	10	30	60	100	150	<			
6	10	24	60	100	150	<			
		±0.15	±0.20	±0.30	±0.50	±0.70	±1.00	±1.30	±2'

7. RoHS Compliance



DETACHED LISTS	PART NO.:	宁波高松电子有限公司 NINGBO DEGSON ELECTRICAL CO., LTD			
	APPD:	NAME: DG381H-3.81-XXP-1Y-00A(H)			
	CHKD:	TITLE: CUSTOMER DRAWING			
	DRFT:	DRAWING NO.:		REV	DO
THIRD ANGLE PROJECTION		DO NOT SCALE DRAWING		SHEET	1/1
		MM (INCH)	SCALE	1:1	