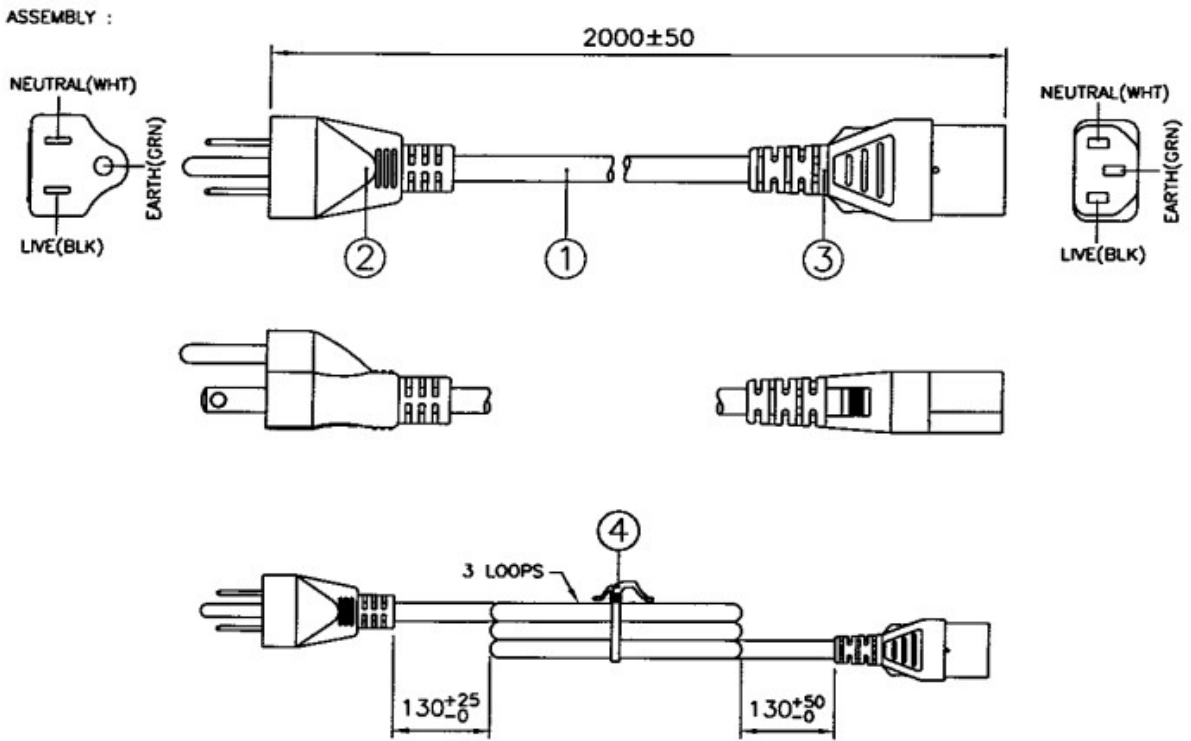


DRAWING NUMBER:
HG02-065-05

CABLE CUTTING
CABLE SOURCE :
1. BAO HING(SHENZHEN).
2. TONG YUAN(SHENZHEN).



- Notes :
1. ALL DIMENSIONS IN mm.
 2. PLUG AND CONNECTOR MARKING : REFER TO MARKING DRAWING NO. : VP-0108 AND VC-0102 RESPECTIVELY.
 3. PLUG AND CONNECTOR DETAILS : REFER TO PRODUCT DRAWING NO. : P-0044 AND C-0062 RESPECTIVELY.
 4. THIS PART CAN BE MANUFACTURED AT ANY LOCATION WHICH HAS SAFETY APPROVAL.

REV.	ECN REF. NO.	DESCRIPTION	DATE
1	HG02-065-05	INITIAL RELEASE.	18/02/05

FOR ENQUIRY ONLY
NOT FOR MASS PRODUCTION

APPROVAL BY : _____
DATE : _____

4	6" PE TIE BLK	6310056	1
	IP60G NL7976B BLK	4100115	-
3	MOLDED CONNECTOR V1625 (10A 125V)	V1625	1
	IP40G NL792B BLK	4100017	-
2	MOLDED PLUG PS204 (10A 125V)	PS204	1
1	SVT 18/3 60°C BWG BLK PVC LEAD FREE	1810120	-

S/N	DESCRIPTION	ITEM NUMBER	QTY
TITLE : NORTH-AMERICAN POWER SUPPLY CORDSET (ROHS FR)		PAGE : 1/1	
CUSTOMER : VPE/FARNELL COMP.		HG02-065-05	
CUSTOMER PART NUMBER : X-210705A		REVISION	
F/G CODE : - - -		1	
SALES :	QA :	ENGRG :	CHECKED BY :
DATE :	DATE :	DATE :	DATE :
		18/2/05	18/02/05
DRAWN BY : QINGHUA			Voilex (Asia) Pte Ltd
			<small>Confidential property of Voilex. Information contained herein shall not be disclosed to others, reproduced or used for any other purposes except as authorized in writing by an authorized official of voilex asia.</small>