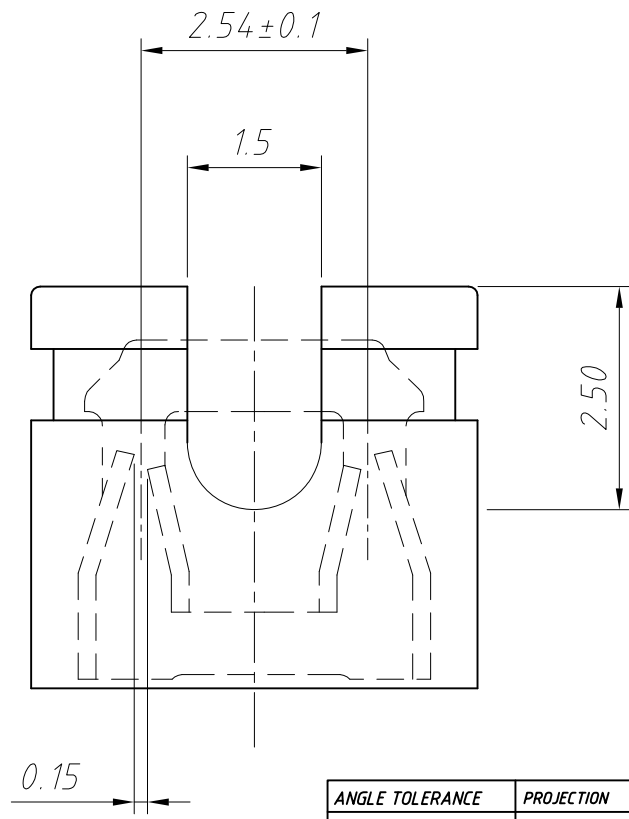
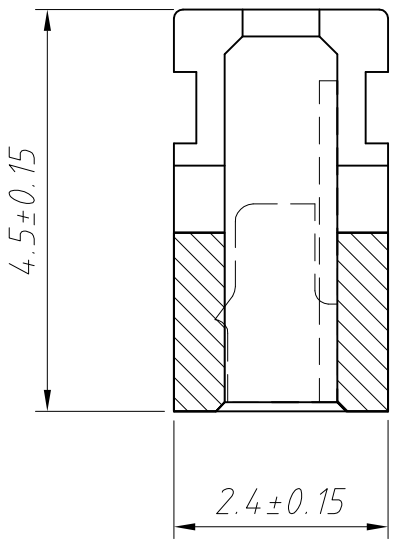
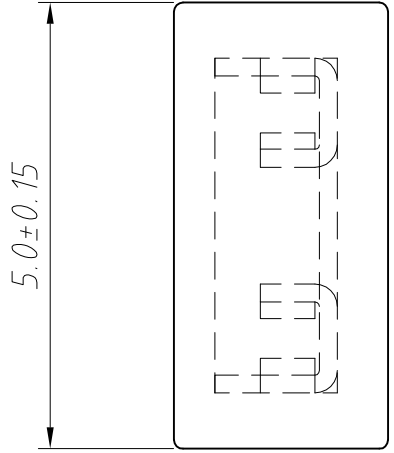


1
RoHS Compliance



Material:
 Standard:PBT
 Contact:Phosphor Bronze
 Insulator:Polyester,UL94V-0

Electrical Characteristics:
 Rated Current: 1.0AMP
 Current Voltage: 30V RMS Max
 Contact Resistance: 20mΩ Max
 Withstand Voltage: 500V AC/DC
 Insulator Resistance: 500MΩ Min

Mechanical
 Operating Temperature: -40°C ~ +105°C

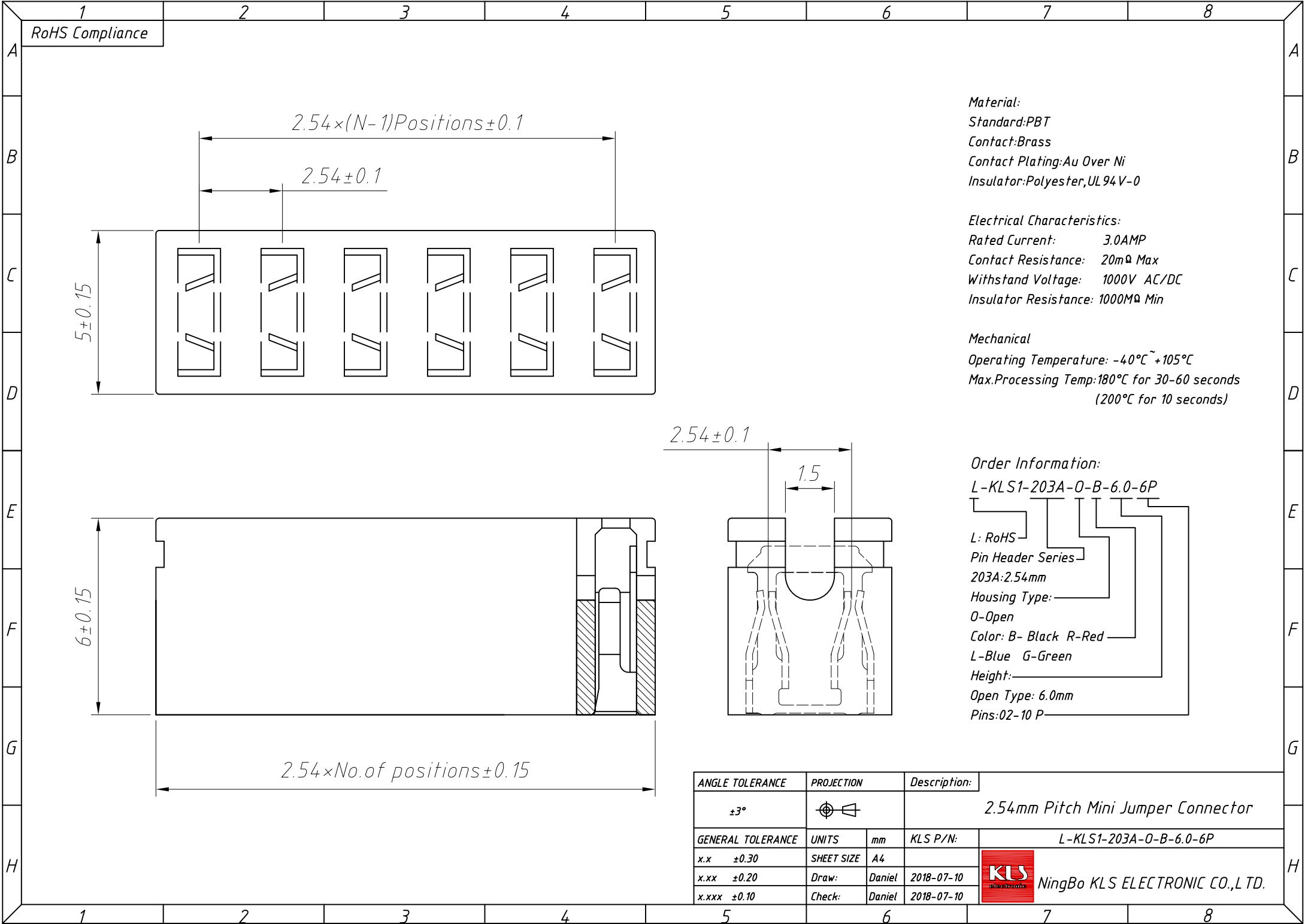
Order Information:
 L-KLS1-203A-0-B-4.5

L: RoHS
 Pin Header Series
 203A:2.54mm
 Housing Type:
 0-Open
 Color: B- Black R-Red
 L-Blue G-Green
 Height:
 Open Type:4.5mm

ANGLE TOLERANCE	PROJECTION	Description:	
±3°		2.54mm Pitch Mini Jumper Connector	
GENERAL TOLERANCE	UNITS	mm	KLS P/N:
x.x ±0.30	SHEET SIZE	A4	L-KLS1-203A-0-B-4.5
x.xx ±0.20	Draw:	Daniel	2018-07-10
x.xxx ±0.10	Check:	Daniel	2018-07-10



1
RoHS Compliance



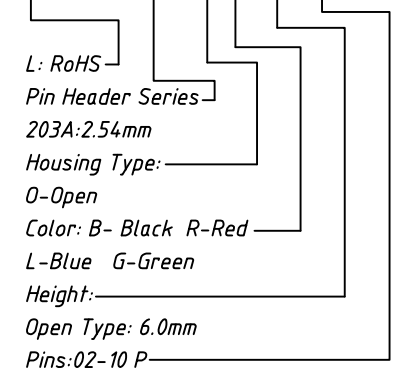
Material:
 Standard:PBT
 Contact:Brass
 Contact Plating:Au Over Ni
 Insulator:Polyester,UL94V-0

Electrical Characteristics:
 Rated Current: 3.0AMP
 Contact Resistance: 20mΩ Max
 Withstand Voltage: 1000V AC/DC
 Insulator Resistance: 1000MΩ Min

Mechanical
 Operating Temperature: -40°C ~ +105°C
 Max.Processing Temp:180°C for 30-60 seconds
 (200°C for 10 seconds)

Order Information:

L-KLS1-203A-0-B-6.0-6P

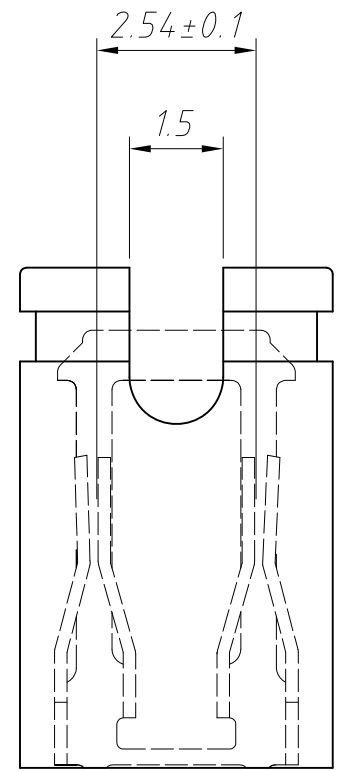
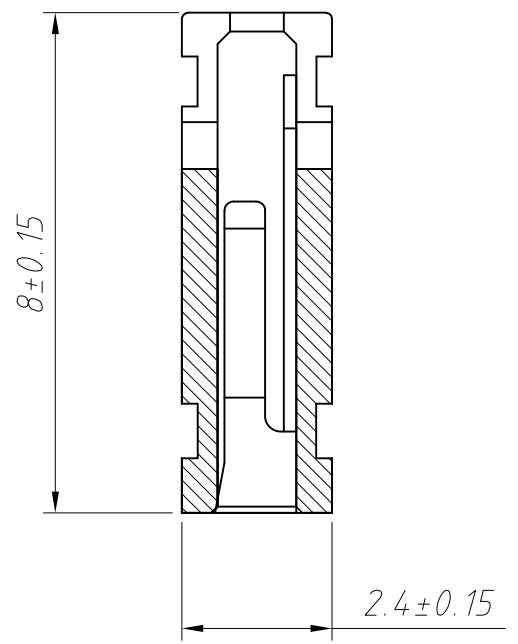
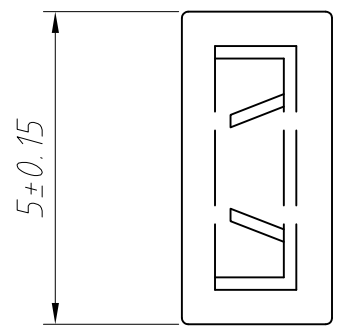


ANGLE TOLERANCE	PROJECTION	Description:	
±3°		2.54mm Pitch Mini Jumper Connector	
GENERAL TOLERANCE	UNITS	mm	KLS P/N:
x.x ±0.30	SHEET SIZE	A4	L-KLS1-203A-0-B-6.0-6P
x.xx ±0.20	Draw:	Daniel	2018-07-10
x.xxx ±0.10	Check:	Daniel	2018-07-10



NingBo KLS ELECTRONIC CO.,L TD.

1
RoHS Compliance



Material:
 Standard:PBT
 Contact:Brass
 Contact Plating:Au Over Ni
 Insulator:Polyester,UL94V-0

Electrical Characteristics:
 Rated Current: 3.0AMP
 Contact Resistance: 20mΩ Max
 Withstand Voltage: 1000V AC/DC
 Insulator Resistance: 1000MΩ Min

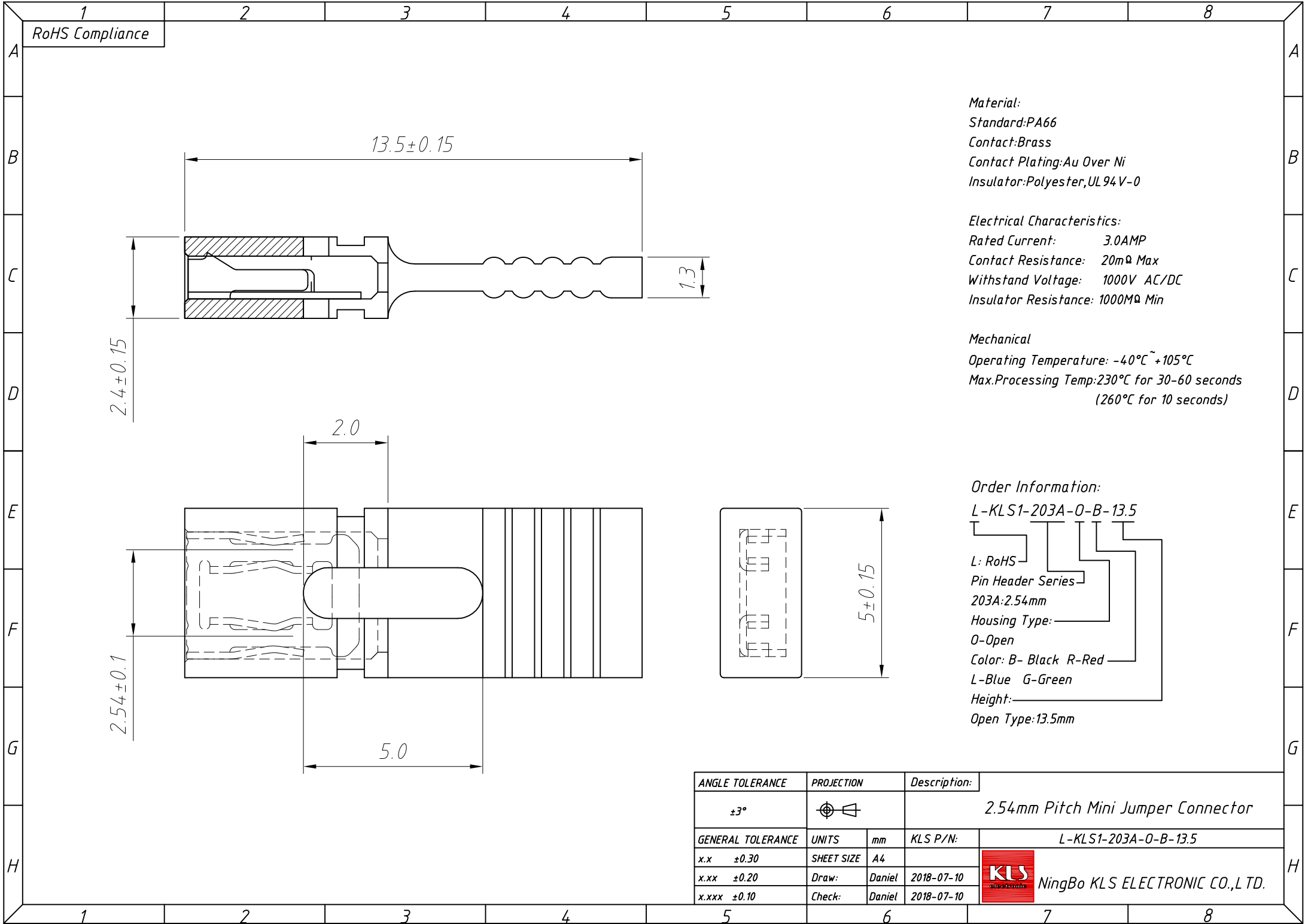
Mechanical
 Operating Temperature: -40°C ~ +105°C
 Max.Processing Temp:180°C for 30-60 seconds
 (200°C for 10 seconds)

Order Information:
 L-KLS1-203A-0-B-8.0

L: RoHS
 Pin Header Series
 203A:2.54mm
 Housing Type:
 0-Open
 Color: B- Black R-Red
 L-Blue G-Green
 Height:
 Open Type:8.0mm

ANGLE TOLERANCE	PROJECTION		Description:	
±3°			2.54mm Pitch Mini Jumper Connector	
GENERAL TOLERANCE	UNITS	mm	KLS P/N:	L-KLS1-203A-0-B-8.0
x.x ±0.30	SHEET SIZE	A4	 NingBo KLS ELECTRONIC CO.,LTD.	
x.xx ±0.20	Draw:	Daniel		2018-07-10
x.xxx ±0.10	Check:	Daniel		2018-07-10

1
RoHS Compliance



Material:
 Standard:PA66
 Contact:Brass
 Contact Plating: Au Over Ni
 Insulator: Polyester, UL 94V-0

Electrical Characteristics:
 Rated Current: 3.0AMP
 Contact Resistance: 20mΩ Max
 Withstand Voltage: 1000V AC/DC
 Insulator Resistance: 1000MΩ Min

Mechanical
 Operating Temperature: -40°C ~ +105°C
 Max.Processing Temp: 230°C for 30-60 seconds
 (260°C for 10 seconds)

Order Information:
 L-KLS1-203A-0-B-13.5

L: RoHS
 Pin Header Series
 203A: 2.54mm
 Housing Type:
 0-Open
 Color: B- Black R-Red
 L-Blue G-Green
 Height:
 Open Type: 13.5mm

ANGLE TOLERANCE	PROJECTION	Description:	
±3°		2.54mm Pitch Mini Jumper Connector	
GENERAL TOLERANCE	UNITS	mm	KLS P/N:
x.x ±0.30	SHEET SIZE	A4	L-KLS1-203A-0-B-13.5
x.xx ±0.20	Draw:	Daniel	2018-07-10
x.xxx ±0.10	Check:	Daniel	2018-07-10



NingBo KLS ELECTRONIC CO.,LTD.

1
RoHS Compliance

2

3

4

5

6

7

8

A

B

C

D

E

F

G

H

A

B

C

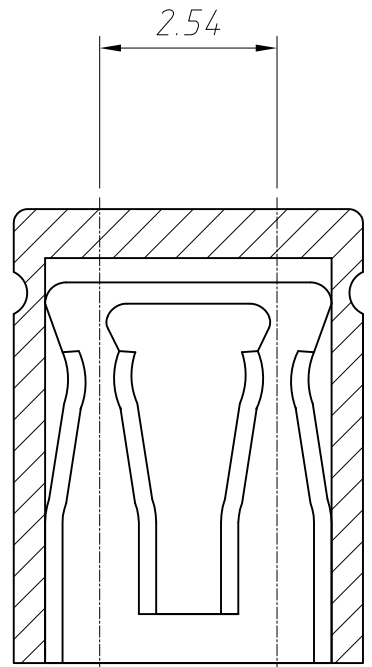
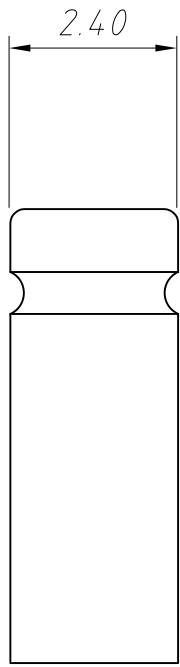
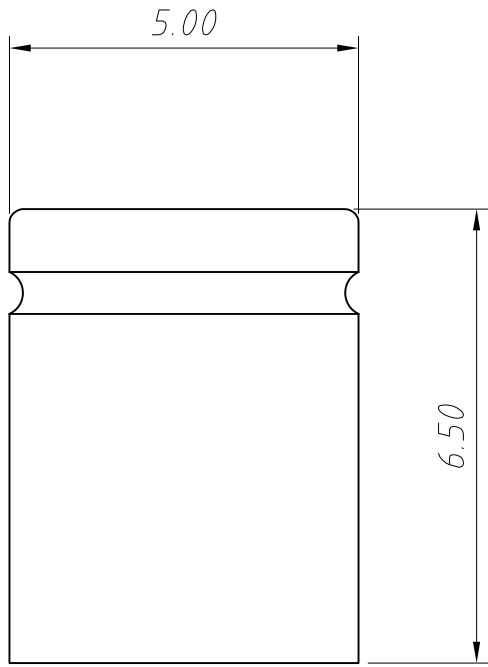
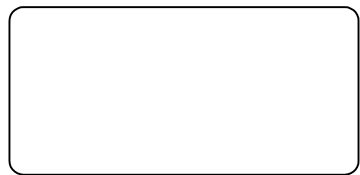
D

E

F

G

H



Material:
Standard:PBT
Contact:Brass
Insulator:Polyester,UL94V-0

Electrical Characteristics:
Rated Current: 3.0AMP
Contact Resistance: 20mΩ Max
Withstand Voltage: 1000V AC/DC
Insulator Resistance: 5000MΩ Min

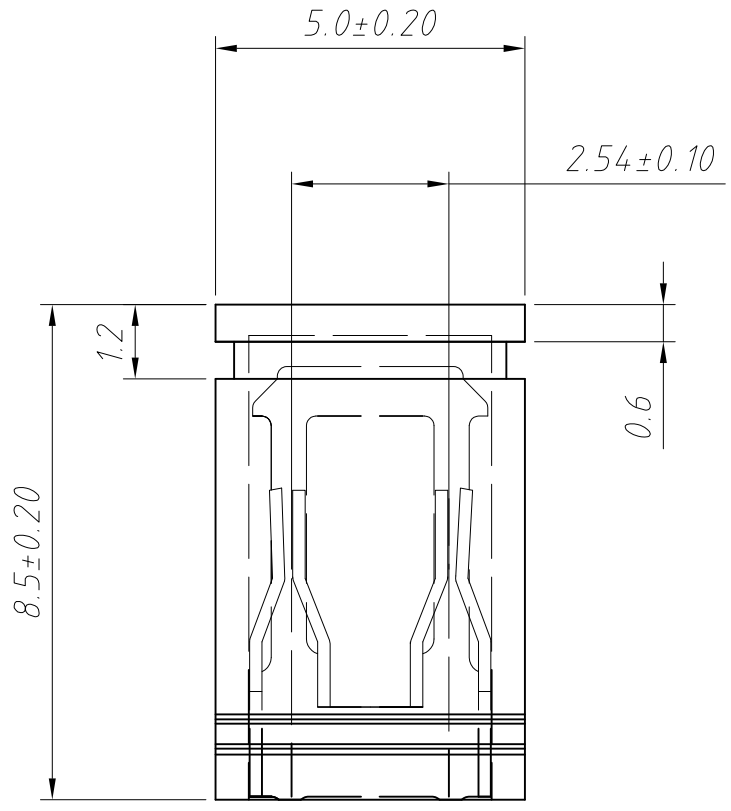
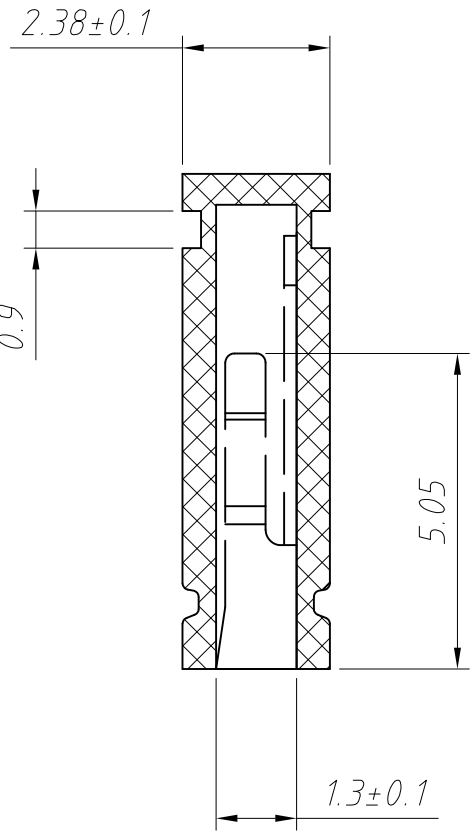
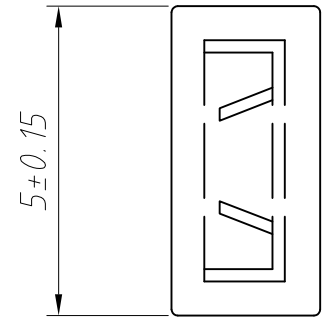
Mechanical
Operating Temperature: -55°C ~ +105°C

Order Information:
L-KLS1-203A-C-B-6.5

ANGLE TOLERANCE	PROJECTION	Description:		
±3°		2.54mm Pitch Mini Jumper Connector		
GENERAL TOLERANCE	UNITS	mm	KLS P/N:	L-KLS1-203A-C-B-6.5
x.x ±0.30	SHEET SIZE	A4		
x.xx ±0.20	Draw:	Daniel	2018-07-10	
x.xxx ±0.10	Check:	Daniel	2018-07-10	

NingBo KLS ELECTRONIC CO.,LTD.

1
RoHS Compliance



Material:
 Standard: PBT
 Contact: Brass
 Contact Plating: Au Over Ni
 Insulator: Polyester, UL 94V-0

Electrical Characteristics:
 Rated Current: 3.0AMP
 Contact Resistance: 20mΩ Max
 Withstand Voltage: 1000V AC/DC
 Insulator Resistance: 1000MΩ Min

Mechanical
 Operating Temperature: -40°C ~ +105°C
 Max. Processing Temp: 180°C for 30-60 seconds
 (200°C for 10 seconds)

Order Information:
 L-KLS1-203A-C-B-8.5

- L: RoHS
- Pin Header Series
- 203A: 2.54mm
- Housing Type: C-Close
- Color: B-Black R-Red
- L-Blue G-Green
- Height: 8.5mm
- Close Type: 8.5mm

ANGLE TOLERANCE	PROJECTION	Description:
±3°		2.54mm Pitch Mini Jumper Connector
GENERAL TOLERANCE	UNITS	mm
x.x ±0.30	SHEET SIZE	A4
x.xx ±0.20	Draw:	Daniel 2018-07-10
x.xxx ±0.10	Check:	Daniel 2018-07-10
		L-KLS1-203A-C-B-8.5
		NingBo KLS ELECTRONIC CO.,LTD.