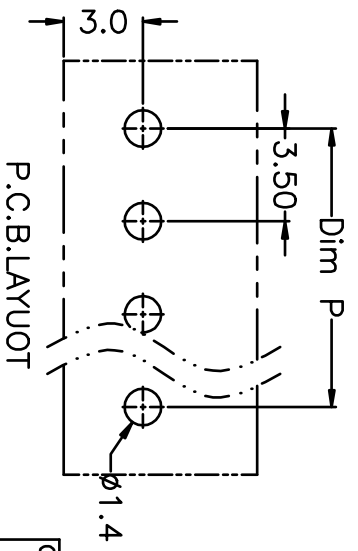
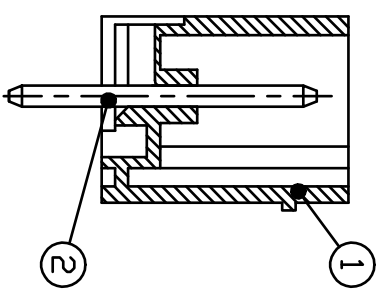
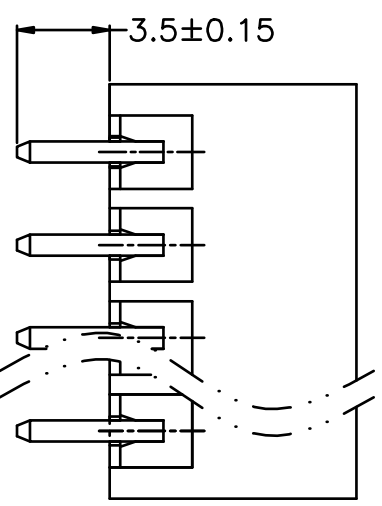
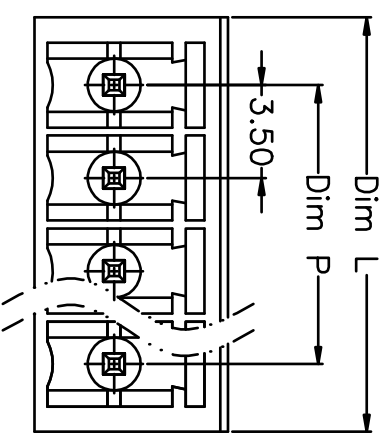


REV.	DESCRIPTION	DATE	DRAWN	APPROVED
A1	DWG.REL	2016/10/7	FANG	YANG



N=Number of Poles
 Dim P=(N-1)*3.50
 Dim L=N*3.50+1.6

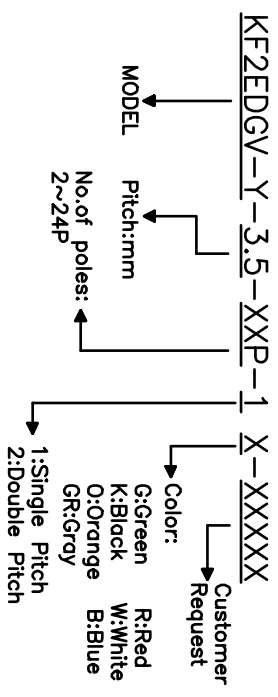
Poles	Dim P	Dim L
2-6P	±0.10	±0.15
7-12P	±0.20	±0.20
13-18P	±0.25	±0.30
19-24P	±0.30	±0.40

- Material
 ØHousing : PA66, UL94V-0
 ØPin header : Brass, Tin plated

- Electrical
 UL IEC
 Rated voltage : 300V 250V
 Rated current : 8A 7A
 Insulation resistance: 500MΩ/DC500V
 Withstanding Voltage : AC1500V/1min

- Mechanical
 Operating temperature: -40°C~+105°C
 Soldering temperature: 250°C±5/5sec

HOW TO ORDER



GENERAL TOLERANCE ANGLE TOLERANCE

X.	±0.5	X.	±5°
.X	±0.3	.X.	±3°
.XX	±0.1	.XX.	±1°

DRAWING TYPE	CUSTOMER	SHEET	1 OF 1
SCALE	1:1	SHEET	1 OF 1
DRAWING NO.	XP0012016-xxxx		

PROJECTION	TITLE
UNITS	mm
SHEET SIZE	A4
SERIES	KF2EDGV-Y
KF2EDGV-Y-3.5-XXP	

凯峰 慈溪市凯峰电子有限公司
 CIXI KAIFENG ELECTRONIC CO.,LTD