

RJ45, Single Port, Tap Up, SMD, 100 Base-T



16.10 x 13.61 x 25.40mm

ARJE-0034

RoHS/RoHS II Compliant

Moisture Sensitivity Level = 1

FEATURES:

- Compliant with IEEE802.3 standard
- 350uH minimum OCL with 8mA bias current
- High performance for maximum EMI suppression
- High reliability – 750 mating/unmating cycles

APPLICATIONS:

- Supports 100 Base-T applications such as Set Top Box and Network Interface Card.
- Provides signal conditioning, EMI suppression and signal isolation

STANDARD SPECIFICATIONS

Operating temperature range: -40°C to +85°C Storage temperature range: -40°C to +85°C

Parameters	Minimum	Typical	Maximum	Units	Notes
Turn Ratio (±3%)	1CT:1CT				
Inductance	350			uH	100kHz, 0.1Vrms, 8mADC
DCR			1.2	Ω	
Insertion Loss			-1.0	dB	1-100MHz
Return Loss	-18			dB	1-30MHz
	-15				30-60MHz
	-12				60-100MHz
Crosstalk	-40			dB	1-30MHz
	-35				30-60MHz
	-30				60-100MHz
CMRR	-30			dB	1-50MHz
	-20				50-100MHz
Hipot	1500			Vrms	Pri to Sec

PART IDENTIFICATION:

ARJE-0034-



Tin Plating Finish Option
Blank – Standard (Bright Tin)
MT – Optional (Matt Tin)

RJ45, Single Port, Tap Up, SMD, 100 Base-T

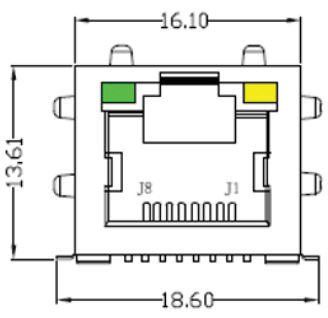
ARJE-0034

RoHS/RoHS II Compliant

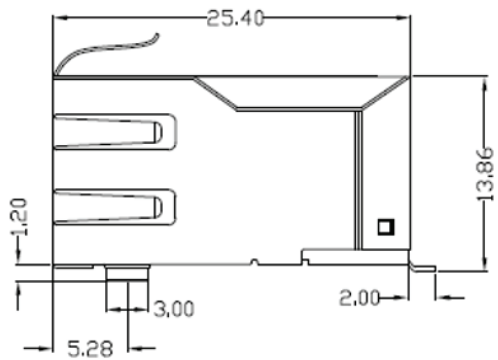


16.10 x 13.61 x 25.40mm

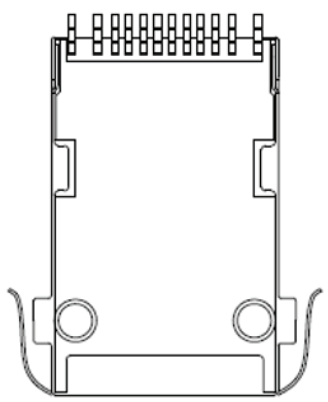
MECHANICAL DIMENSIONS:



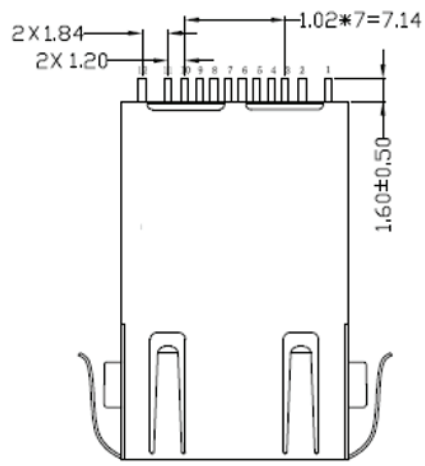
Front Side View



Left Side View

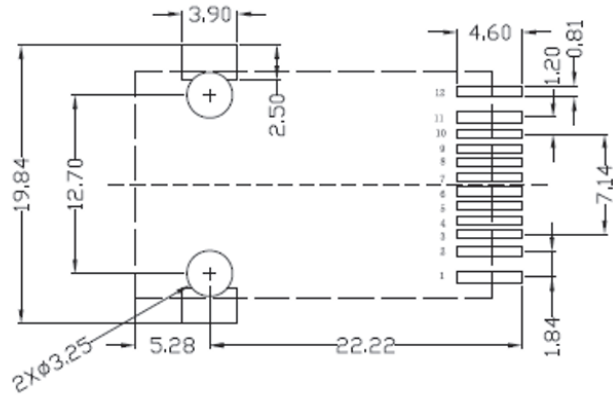


Bottom Side View



Top Side View

Recommended Land Pattern



Suggested PCB Layout

Dimension: mm



5101 Hidden Creek Ln Spicewood TX 78669
 Phone: 512-371-6159 | Fax: 512-351-8858
 For terms and conditions of sales, please visit:
www.abracon.com

REVISED: 11-13-19

ABRACON IS
 ISO9001-2015
 CERTIFIED

RJ45, Single Port, Tap Up, SMD, 100 Base-T

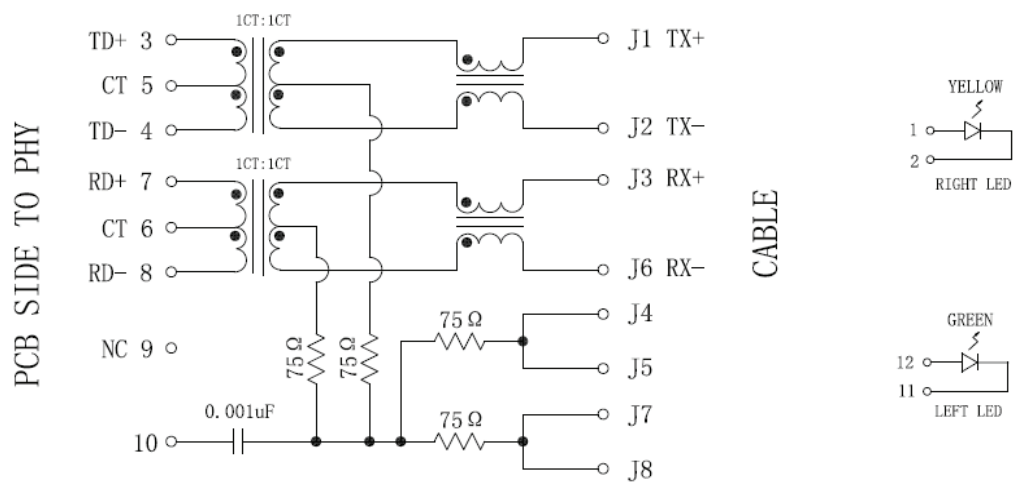
ARJE-0034

RoHS/RoHS II Compliant



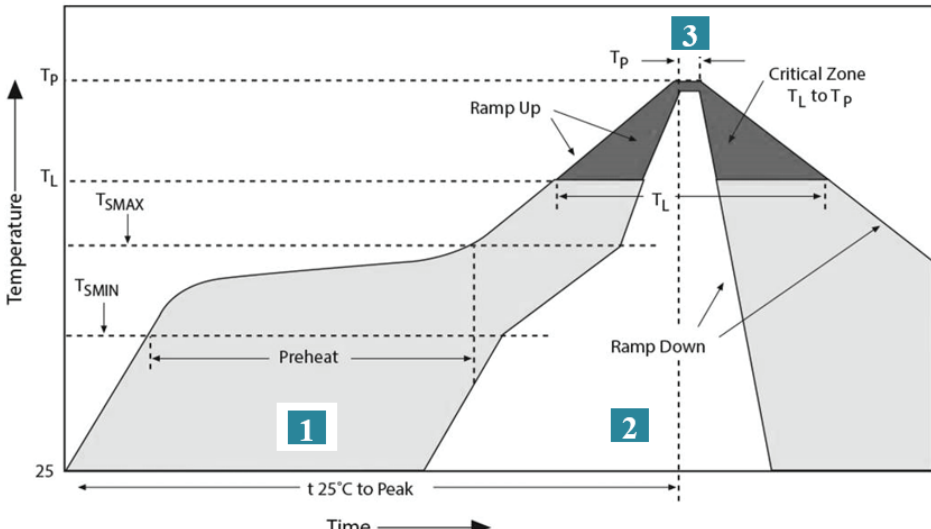
16.10 x 13.61 x 25.40mm

SCHEMATICS



Emitting Color	λ_p (nm)	$V_F@I_F20mA$	$I_R@V_R=5V$
Green	565	1.8~2.4V	10 μA Max
Yellow	585	1.8~2.4V	10 μA Max

REFLOW PROFILE



Zone	Description	Temperature	Times
1	Preheat	$T_{SMIN} \sim T_{SMAX}$ 150°C ~ 200°C	60 ~ 180 sec.
2	Reflow	T_L 217°C	60 ~ 150 sec.
3	Peak heat	T_p 245°C	20 ~ 40 sec. MAX



5101 Hidden Creek Ln Spicewood TX 78669
 Phone: 512-371-6159 | Fax: 512-351-8858
 For terms and conditions of sales, please visit:
www.abracon.com

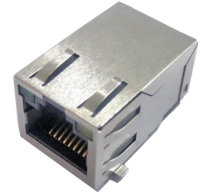
REVISED: 11-13-19

ABRACON IS
 ISO9001-2015
 CERTIFIED

RJ45, Single Port, Tap Up, SMD, 100 Base-T

ARJE-0034

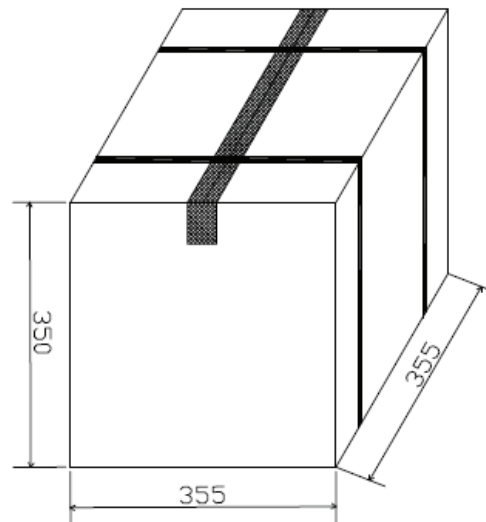
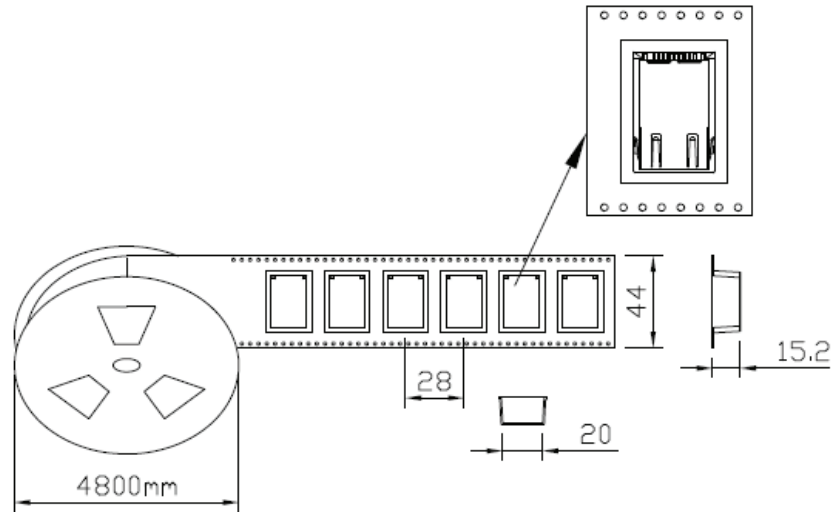
RoHS/RoHS II Compliant



16.10 x 13.61 x 25.40mm

TAPE & REEL:

- Packing: (110pcs/Tape & Reel, 660pcs/Box)
- Packing Material: PET
- Moisture Sensitivity Level (MSL): 1 (MSL=1)



Dimension: mm/inch

ATTENTION: Abracon LLC's products are COTS – Commercial-Off-The-Shelf products; suitable for Commercial, Industrial and, where designated, Automotive Applications. Abracon's products are not specifically designed for Military, Aviation, Aerospace, Life-dependent Medical applications or any application requiring high reliability where component failure could result in loss of life and/or property. For applications requiring high reliability and/or presenting an extreme operating environment, written consent and authorization from Abracon LLC is required. Please contact Abracon LLC for more information.