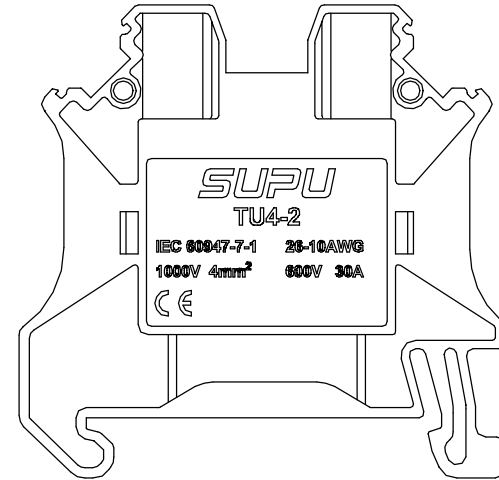
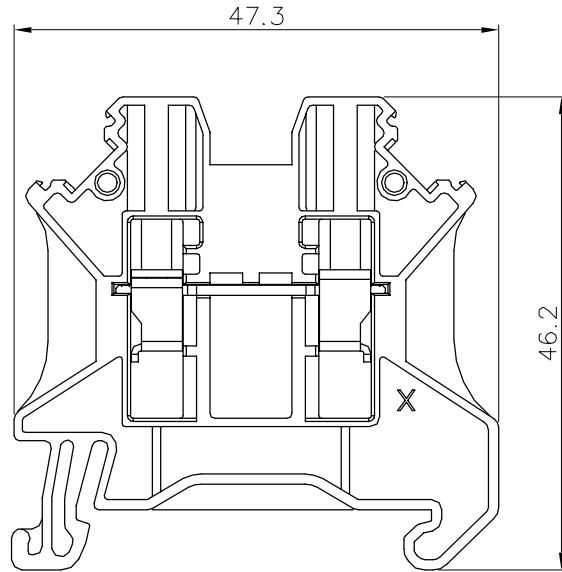
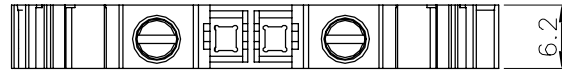


Transmittal, reproduction, dissemination and/or editing of this document as well as utilization of its contents and communication thereof to others without express authorization are prohibited.

未经允许禁止传输、复制、编辑该文档，以及利用其内容进行交流

REVISION RECORD				
REV	ECN	DESCRIPTION	DRFT	DATE



Connection method:  
 1.For solid wire, peeling wire in right length, fix in by rated torque force.  
 2.For stranded wire,connect directly after peeling in right length,or furrled on wire and fix in by rated torque force.  
 (Attention:torque force should be equable, no explosive power.)

NOTES:

UL/CUL Standard

- 1.Conductor cross section : 26~10AWG
- 2.Rated torque : M3 , 4.43Lb.in
- 3.Rated Voltage/Current :

Use group	B	C	D
Rated voltage(V)	600	600	
Rated current(A)	30	30	

IEC Standard

- 1.Conductor cross section :

Wire range(Solid/Stranded)	0.2-4mm <sup>2</sup>
Solid	0.2-6mm <sup>2</sup>
Stranded	0.2-4mm <sup>2</sup>
Stranded with ferrules without plastic sleeve	0.2-4mm <sup>2</sup>
Stranded with ferrules with plastic sleeve	0.2-4mm <sup>2</sup>

- 2.Rated torque : M3 , 0.5N·m
- 3.Rated Voltage/Current :

Surge voltage category	III
Pollution degree	3
Rated surge voltage(KV)	8
Rated voltage(V)	1000
Rated current(A)	32

Material:

Insulator	PA66	UL94 V-0
Cage	Steel	Zn plated
Conductor	Copper alloy	Sn plated
Screw	Steel	Zn plated

General information:

- 1.Dimension shall be interpreted per ASME Y14.5-2009
- 2.Stripping length : 9mm
- 3.Operating temperature: -40°C~+105°C
- 4.RoHS Compliance
- 5.Unidimensional Tolerances:

Pitch Range In mm	Nominal Dimension Range In mm							-	∧	∇
TO 6	Over 6 TO 10	Over 10 TO 24	TO 30	Over 30 TO 60	Over 60 TO 100	Over 100 TO 150	Over 150	0.1/10		
±0.15	±0.20	±0.30	±0.30	±0.50	±0.70	±1.00	±1.30	±2'		

HOW TO ORDER:

TU4-2-XX  
 Sereies No.      Color:  
 GY: Grey  
 BU: Blue  
 OG: Orange

借通用件登记  
Common Part

原图号  
Old Draw. No.

底图总号  
Assembly No.

订货号 Order No.	TU4-2-XX		名称 Name	TU系列4mm2螺 钉一进一出接线 端子	未注公差 Tolerance	表面 Surface	
项目 Item	签字 Signature	日期 Date	图号 Drawing No.	PRM()	Tolerances Table		VDI21
设计 Design	df	06/15/20"	材料 Material	Notes	版本号 Revision Number	重量 Weight	比例 Scale
审核 Check	cw	06/15/20"	物料号 Item No.	411033020	M0	/	1:1
工艺 Process	-	-		411033020	第1页/共1页 1 of 1		mm
标准化 Unify	-	-		411033021	<b>SUPU 宁波速普电子有限公司</b> <b>NINGBO SUPU ELECTRONICS CO.,LTD.</b>		
批准 Approve	lw1	06/15/20"		411033022			

1

2

3

4

5

6

7

8

A

B

C

D

E

F