

DETAILS

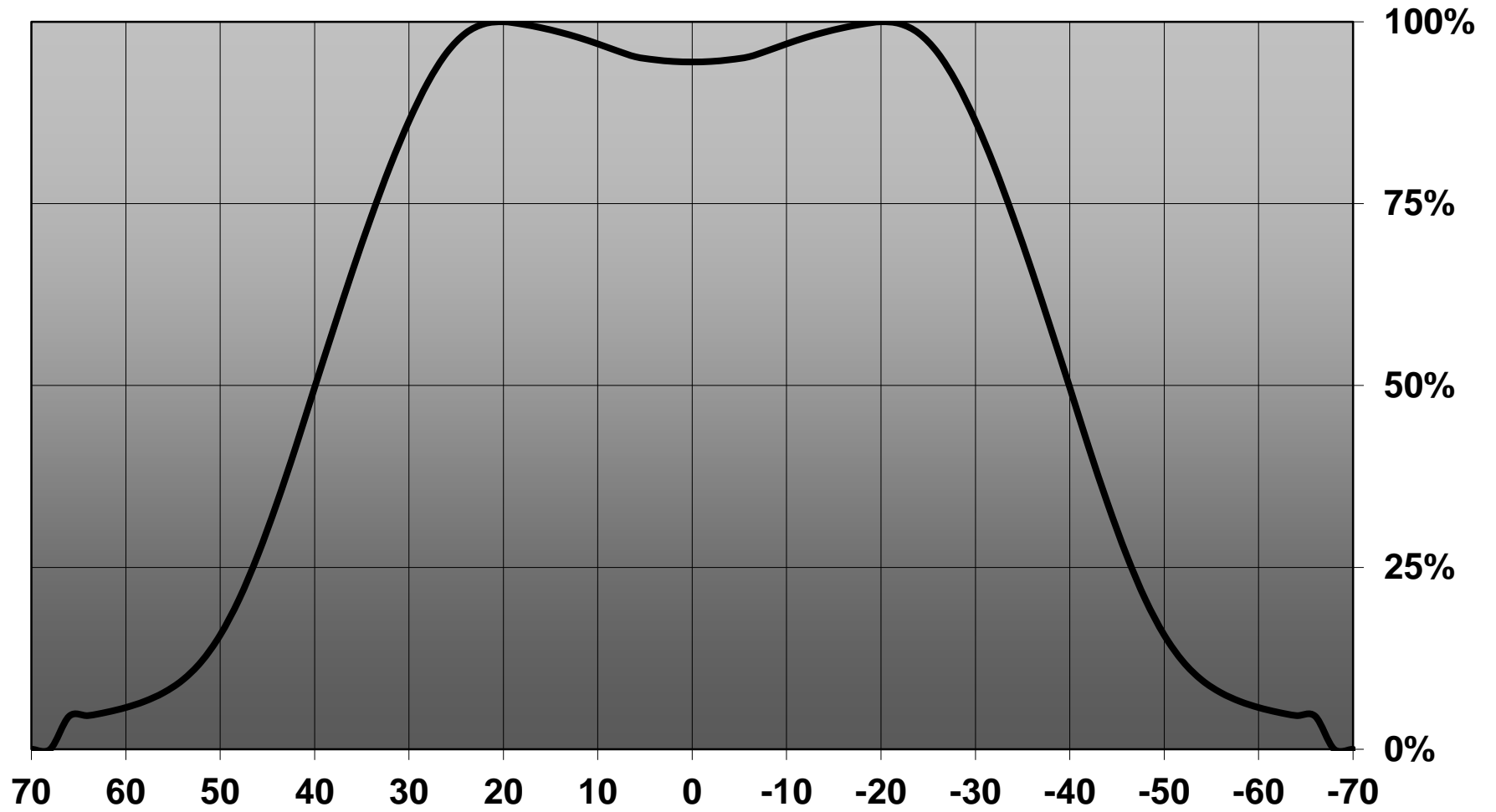
Product Number	FA11826_TINA3-WWW
Family	Tina3
Type	Assembly
Color	white
Diameter	16,1 mm
Height	6,9 mm
Style	round
Optic Material	PMMA
Holder Material	
Fastening	tape, pin
Status	production ready
ROHS Compliant	Yes
Date Updated	16/12/2016



OPTICAL PROPERTIES

LED	Viewing Angle	Light Beam	Efficiency	cd/lm	Connector
XP-E	79 deg	WWW-class	92 %	0.460	-
XP-G	77 deg	WWW-class	92 %	0.500	-
XP-L HI	77 deg	WWW-class	90 %	0.670	-
LUXEON Rebel ES	80 deg	WWW-class	91 %	0.460	-
LUXEON Rebel	77 deg	WWW-class	81 %	0.520	-
LUXEON A	80 deg	WWW-class	90 %	0.500	-
NVSxx19A	78 deg	WWW-class	91 %	0.550	-
NF2x757A	76 deg	WWW-class	88 %	0.600	-
NF2x757G	sim: 75	WWW-class	sim: 88 %	sim: 0.610	-
Oslon SSL 80	69 deg	WWW-class	88 %	0.700	-
Oslon SSL 150	68 deg	WWW-class	88 %	0.700	-
Duris S5 (2 chip)	80 deg	WWW-class	88 %	0.600	-
Z5	62 deg	WWW-class	89 %	0.700	-
Z5M1/Z5M2	82 deg	WWW-class	90 %	0.600	-
Z8Y22P	sim: 84	WWW-class	sim: 90 %	sim: 0.540	-

Relative intensity of FA11826_TINA3-WWW-LuxA



D

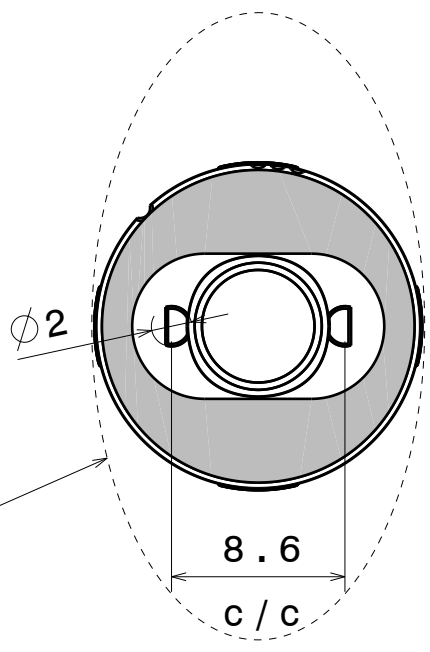
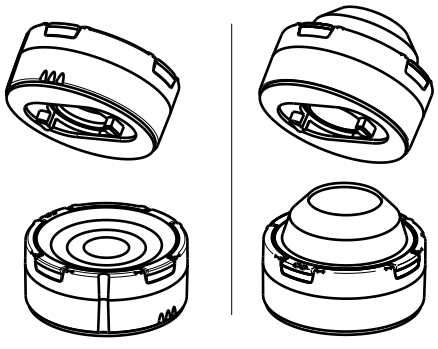
C

B

A

4

4

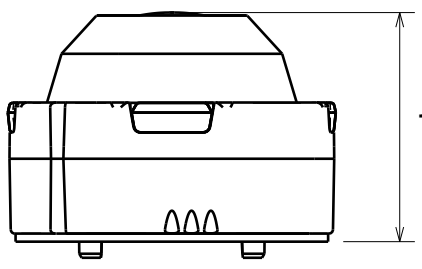


Oval beam direction

8.6
c / c

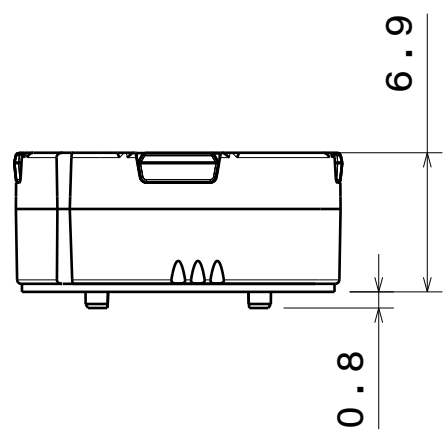
3

3



11.4

Spot version height

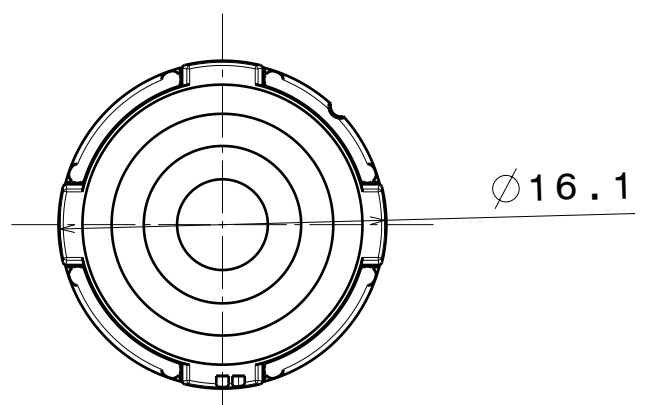


6.9

0.8

2

2



16.1

Top view

Tolerances if not otherwise shown
 According to DIN ISO 2768-1
 Linear measures:
 Up to 30mm class M, otherwise class C.
 According to DIN ISO 2768-2
 Form and position: class L

LEDiL Ledil Oy
 Salorankatu 10
 FIN 24240 SALO
 Finland

THIRD ANGLE PROJECTION:

DRAWING TITLE
TINA3 Datasheet

This drawing is the property of LEDiL Oy. It may not be reproduced, copied or communicated without a written agreement with LEDiL Oy."

SIZE PART NUMBER
A4 -

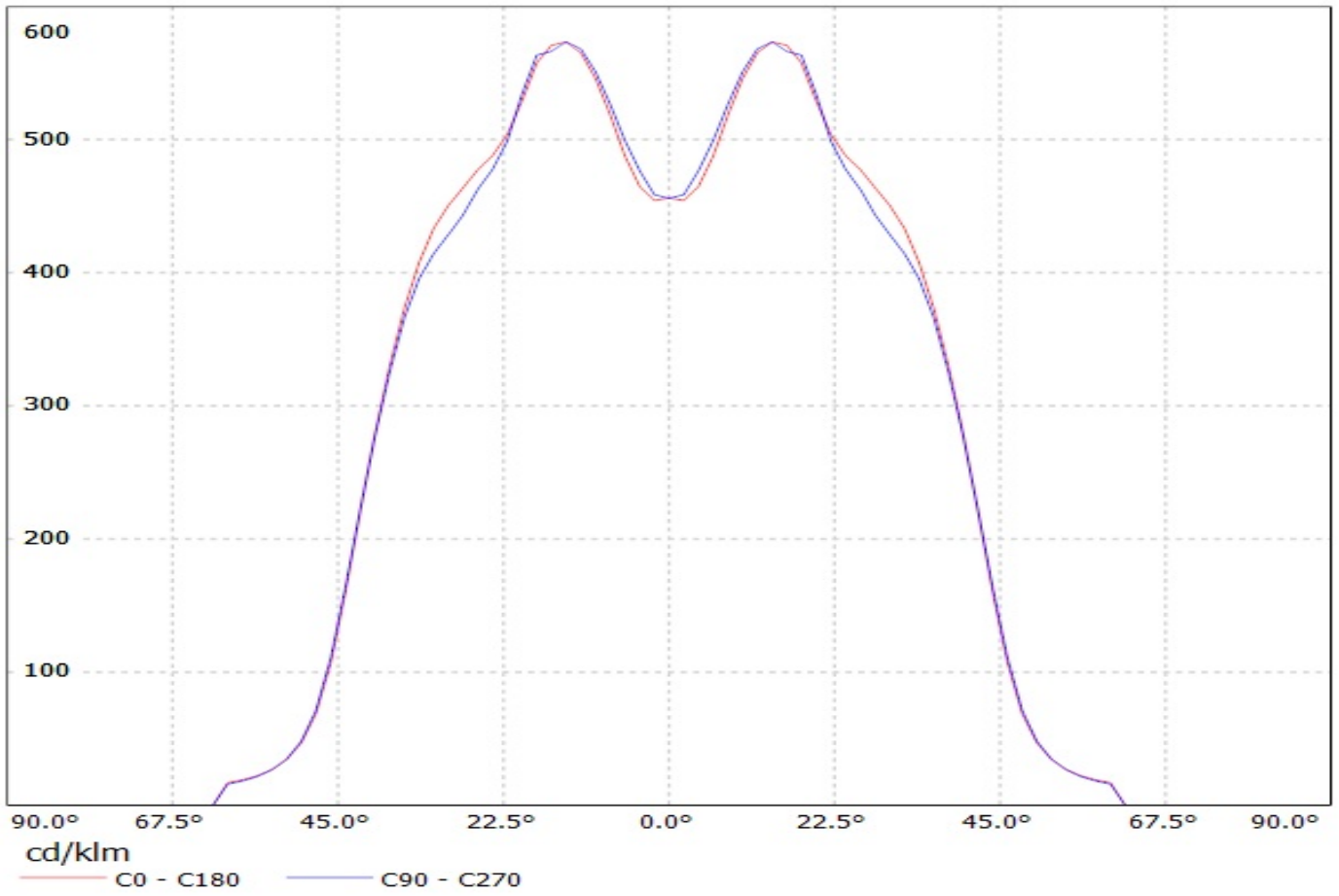
SCALE 4:3 WEIGHT - SHEET 1/1

D

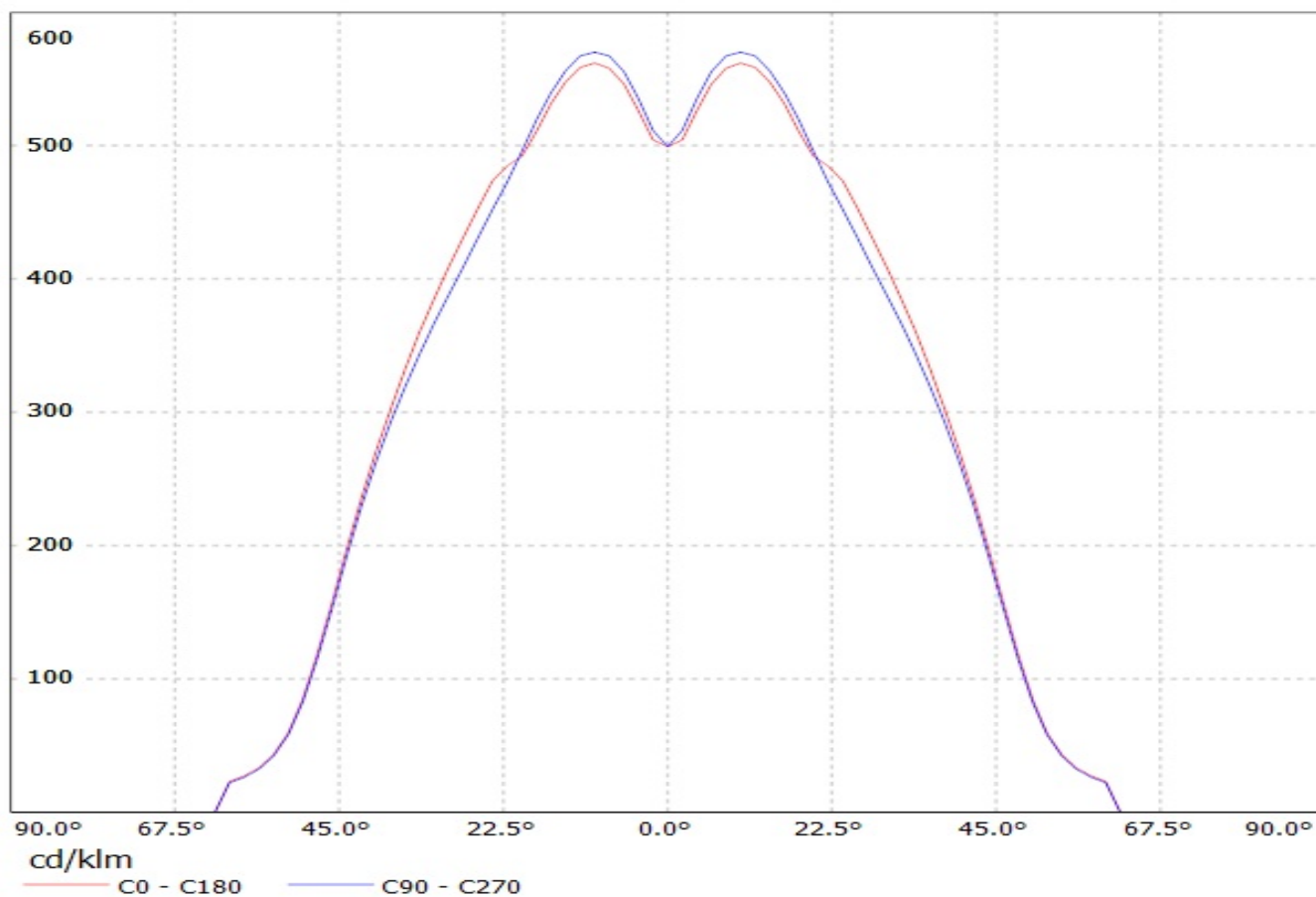
A

1

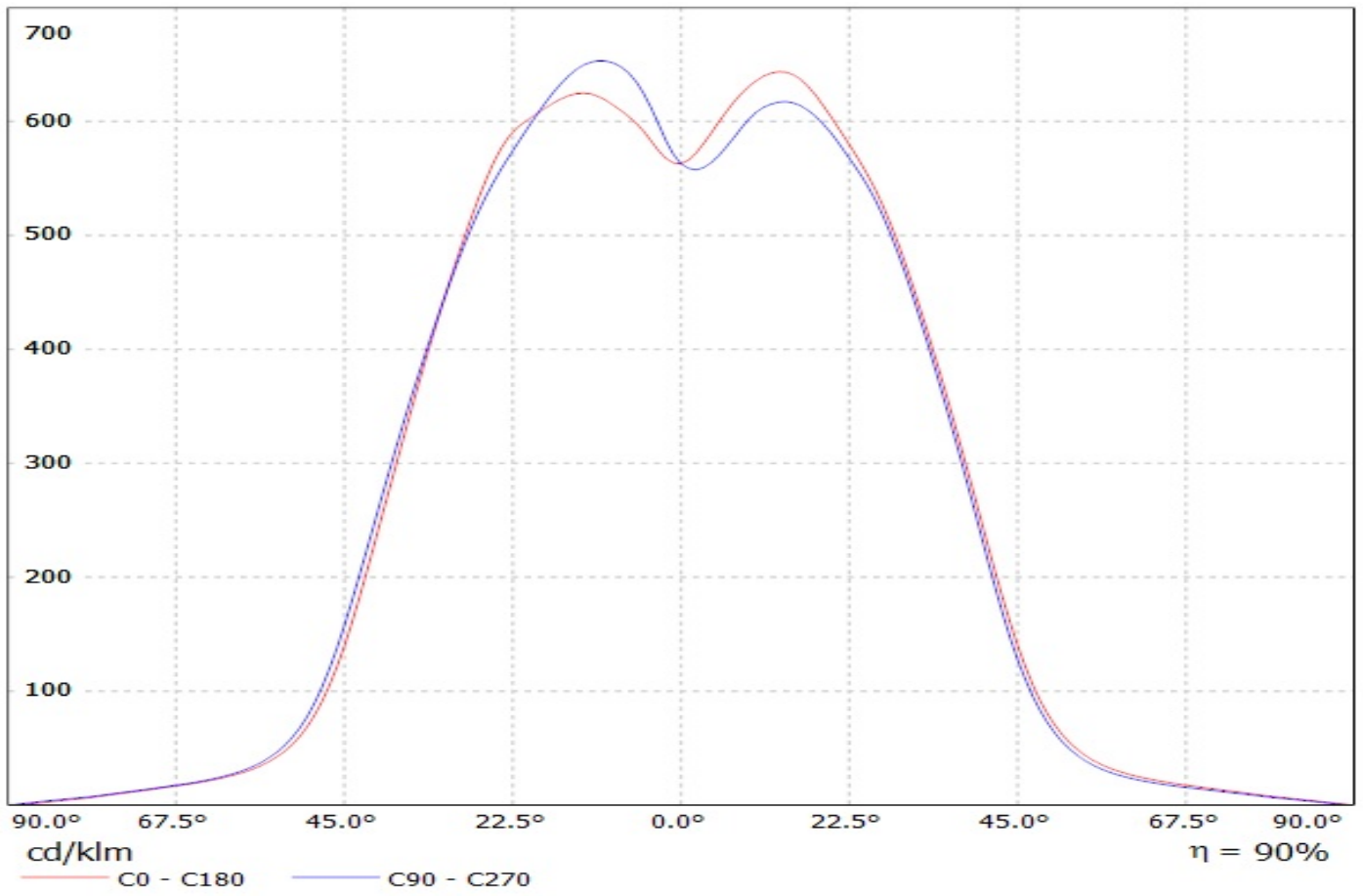
Luminaire: Ledil Oy FA11826_Tina3-WWW-XP FA11826_Tina3-WWW-XP Cree XP-E white 75lm @ 250mA
Lamps: 1 x Cree XP-E white



Luminaire: Ledil Oy FA11826_Tina3-WWW-XP-G FA11826_Tina3-WWW-XP-G
Lamps: 1 x Cree XP-G white

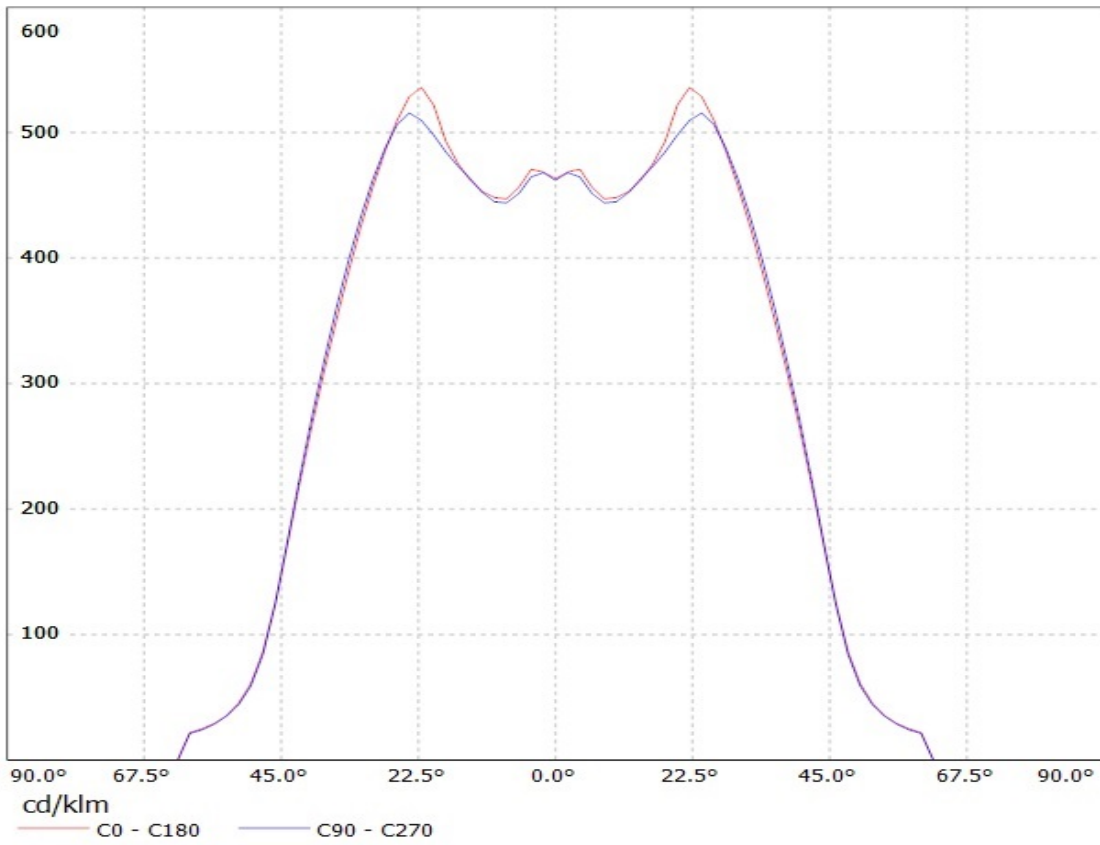


Luminaire: LEDiL Oy FA11826_TINA3-WWW_(XP-L_HI)
Lamps: 1 x Cree_XP-L_HI_113.703lm@250mA_P=0.743328W_I=0.2499A



Ledil Oy FA11826_Tina3-WWW-RE-ES FA11826_Tina3-WWW-RE-ES / LDC (Linear)

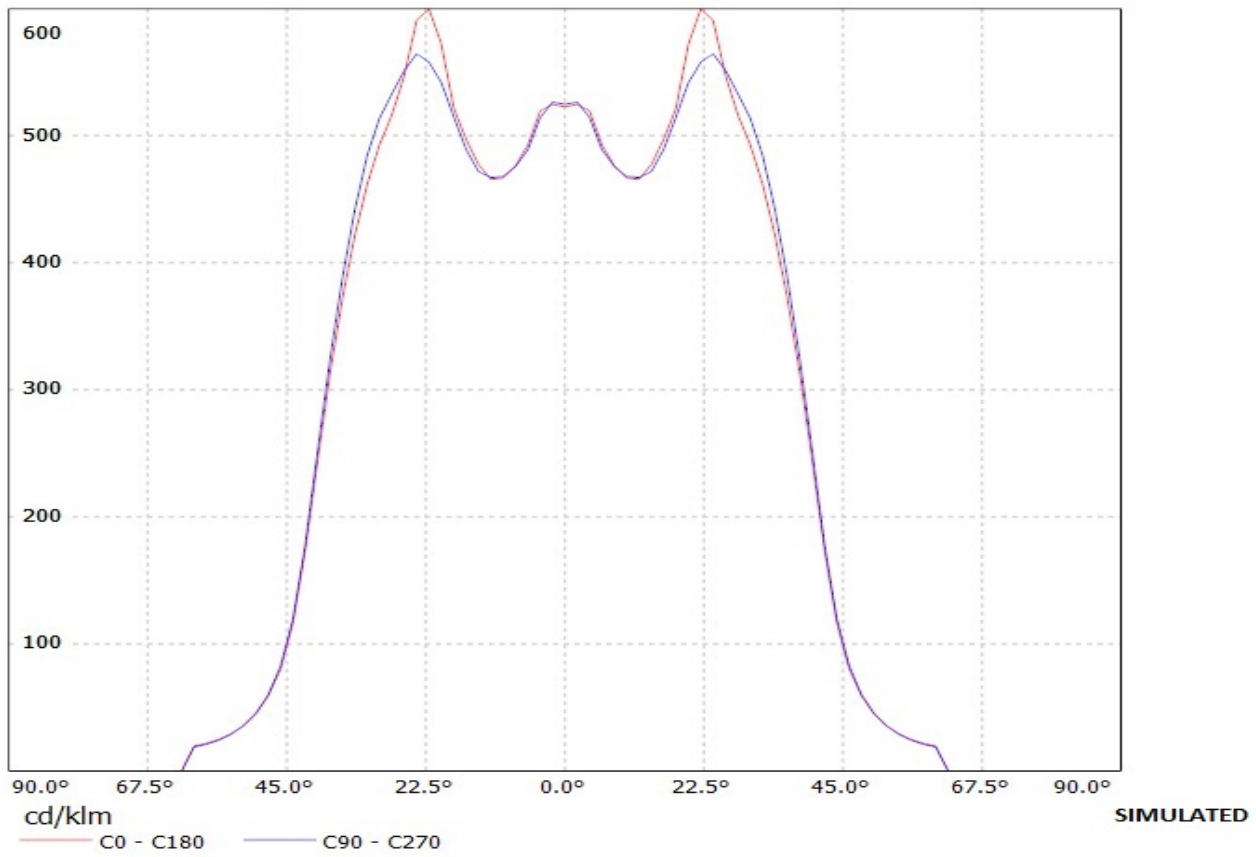
Luminaire: Ledil Oy FA11826_Tina3-WWW-RE-ES FA11826_Tina3-WWW-RE-ES
Lamps: 1 x Luxeon Rebel ES



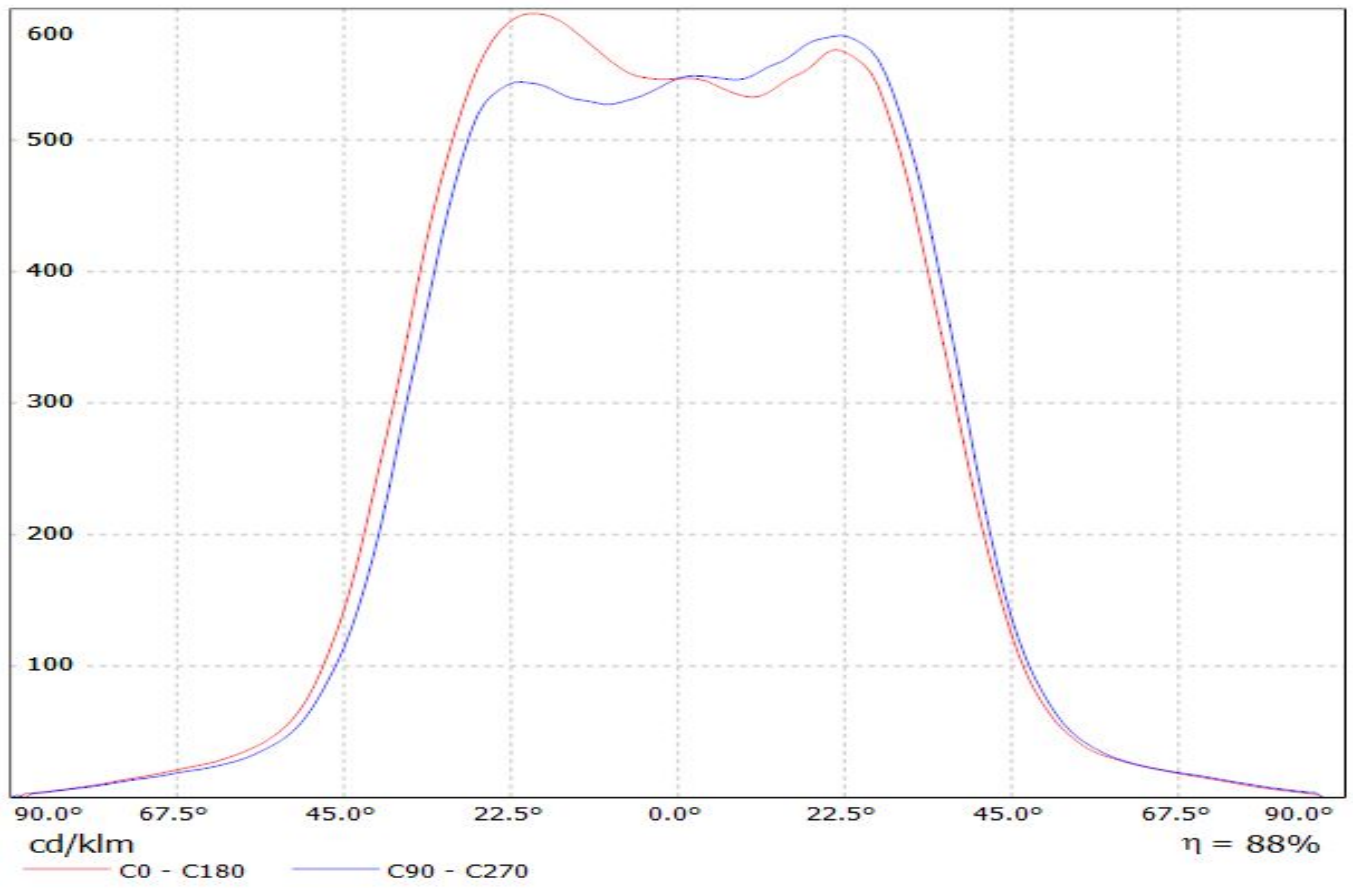
SIMULATED

Ledil Oy FA11869-Tina3-WWW-RE FA11869-Tina3-WWW-RE / LDC (Linear)

Luminaire: Ledil Oy FA11869-Tina3-WWW-RE FA11869-Tina3-WWW-RE
Lamps: 1 x Luxeon Rebel



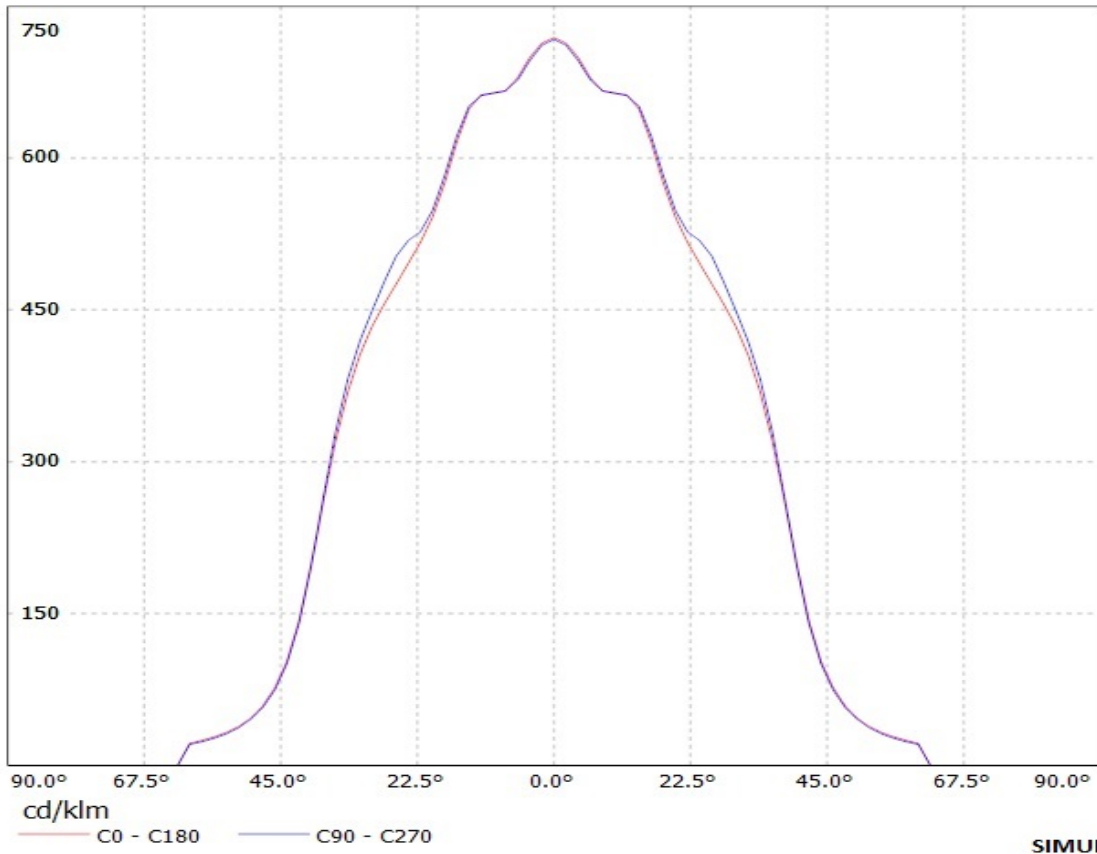
Luminaire: Ledil Oy FA11826_TINA3-WWW Eff. 88%
Lamps: 1 x Nichia NF2x757A (NF2L757ART) 67lm@100mA CCT=4700K P=0.6W I=100mA



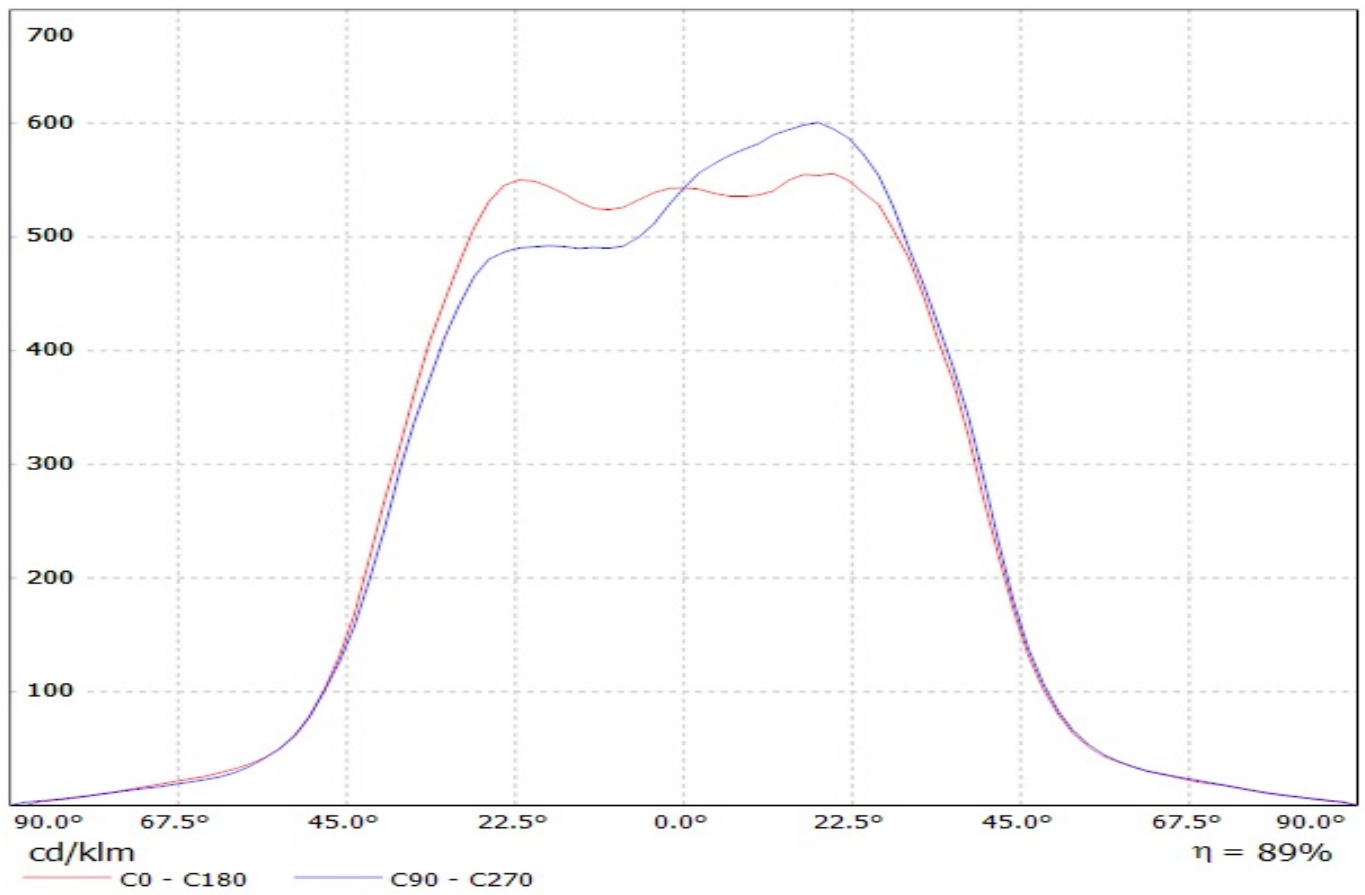
Ledil Oy FA11826_Tina3-WWW-OSL FA11826_Tina3-WWW-OSL / LDC (Linear)

Luminaire: Ledil Oy FA11826_Tina3-WWW-OSL FA11826_Tina3-WWW-OSL

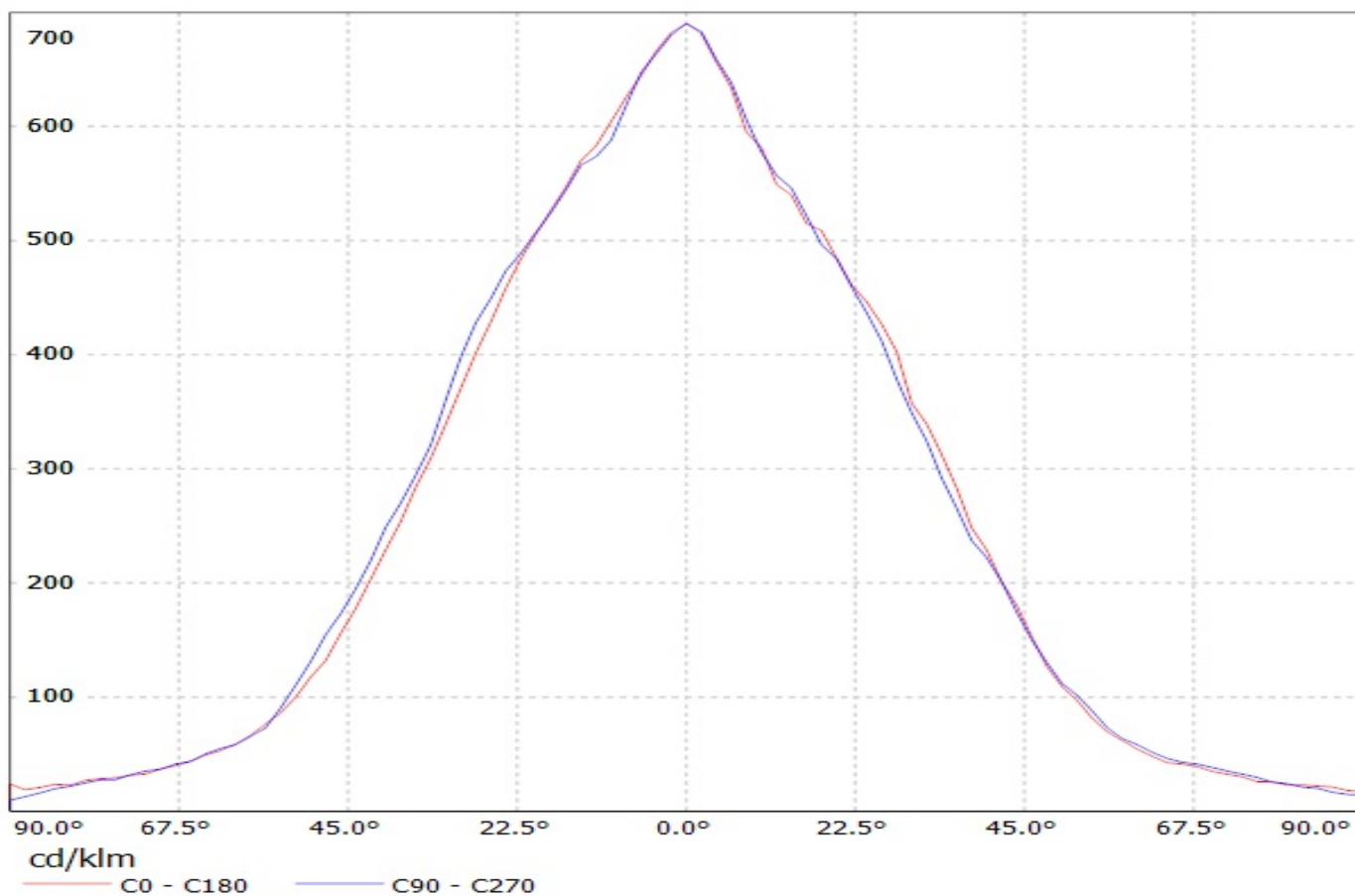
Lamps: 1 x Osram Oslon 80ø (white)



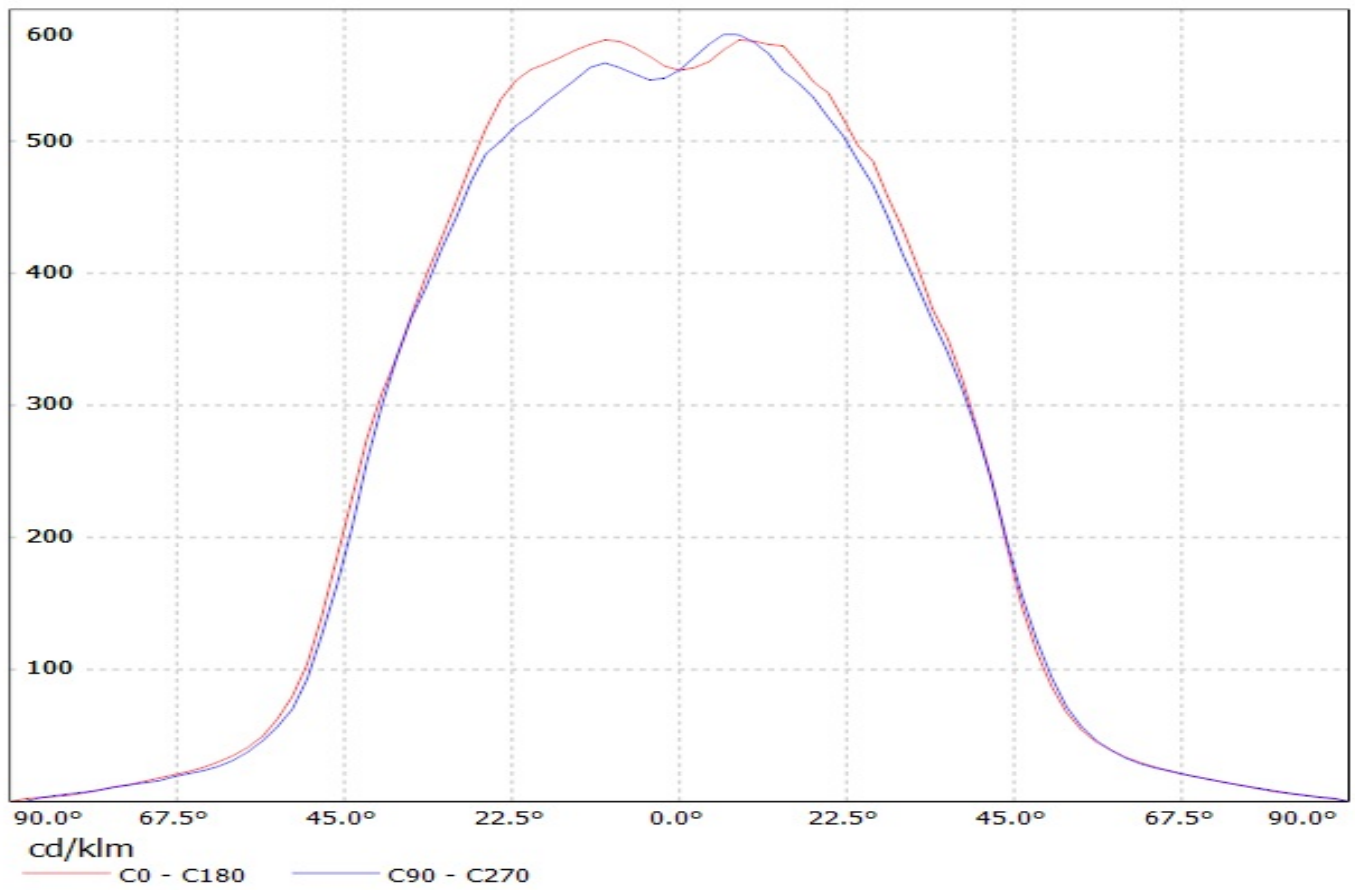
Luminaire: LEDil Oy FA11826_TINA3-WWW_(DURIS_S5) Efficiency=88%
Lamps: 1 x Osram Duris S5 (GW PSLPS1.EC) 102lm @ 150mA CCT=6300K P=1.0W I=150mA



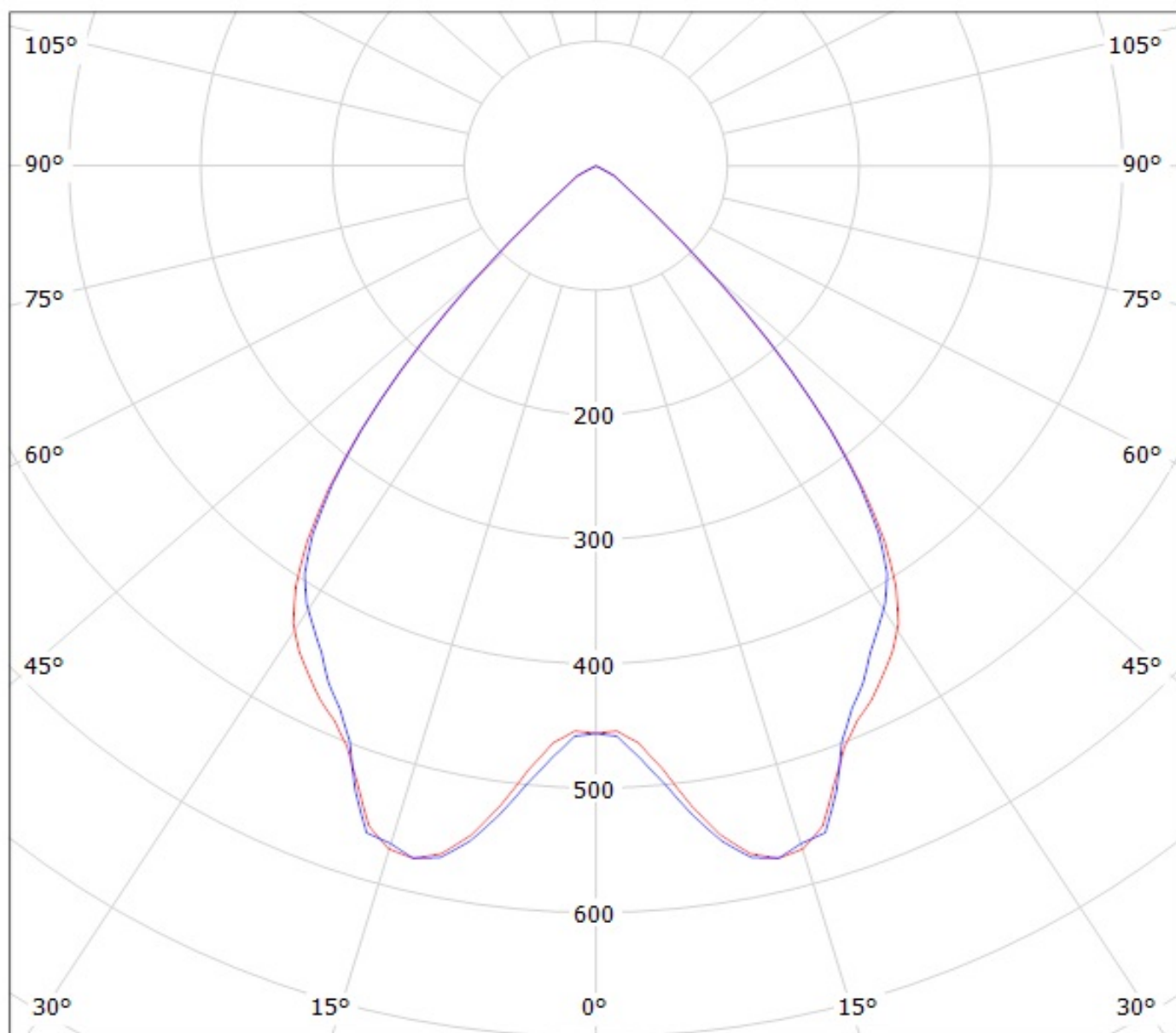
Luminaire: Ledil Oy FA11826_TINA3-WWW (Seoul Z5 68lm @ 250mA) Efficiency=89%
Lamps: 1 x Seoul Z5 68lm @ 250mA



Luminaire: LEDil Oy FA11826_TINA3-WWW_(Z5M1) Efficiency=90%
Lamps: 1 x Seoul Z5M1 (SZ5M1-W0-C8/W1-A5-G) 108lm @ 250mA CCT=9100K P=0.8W I=250mA



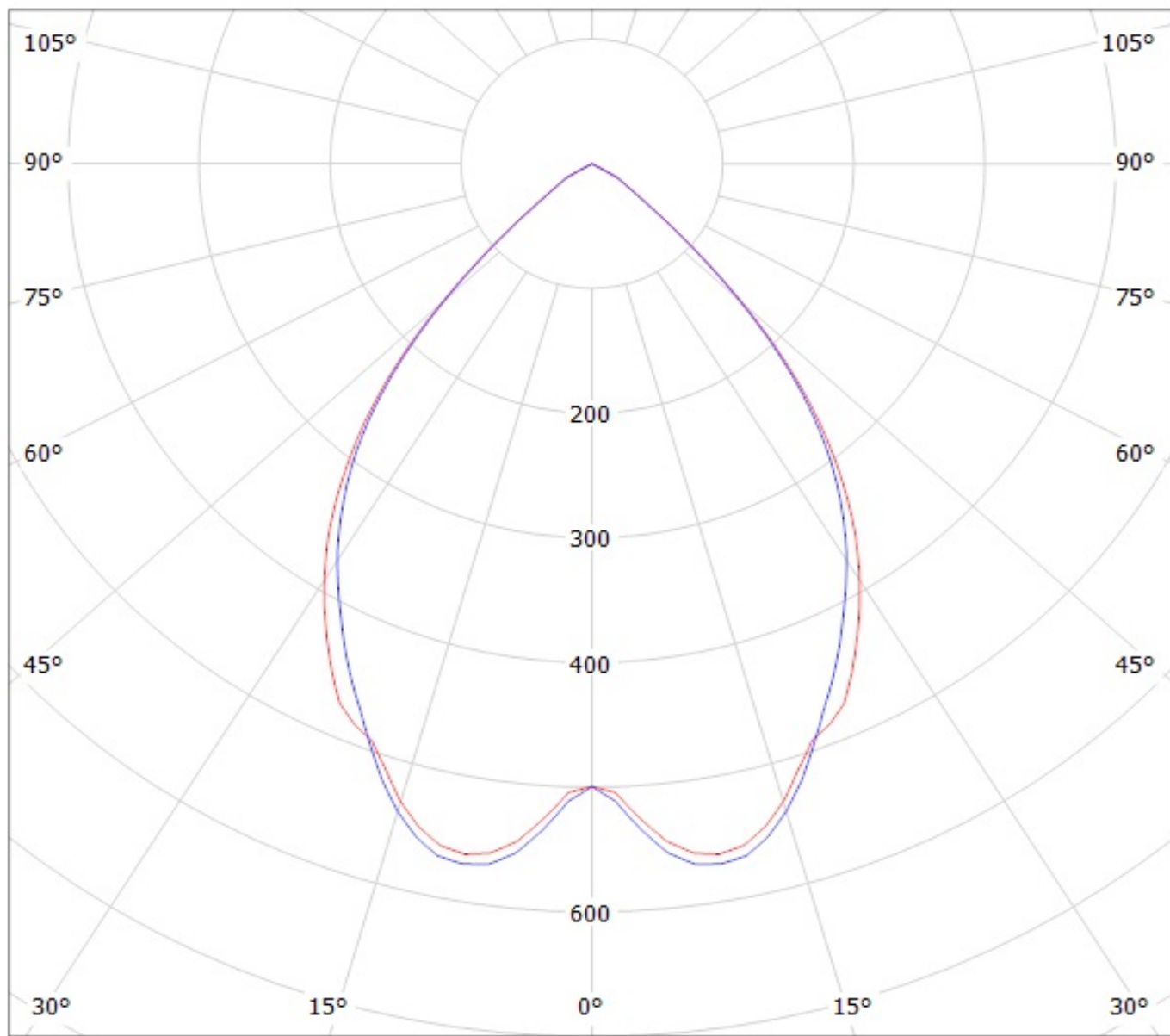
Luminaire: Ledil Oy FA11826_Tina3-WWW-XP FA11826_Tina3-WWW-XP Cree XP-E white 75lm @ 250mA
Lamps: 1 x Cree XP-E white



cd/klm

— C0 - C180 — C90 - C270

Luminaire: Ledil Oy FA11826_Tina3-WWW-XP-G FA11826_Tina3-WWW-XP-G
Lamps: 1 x Cree XP-G white

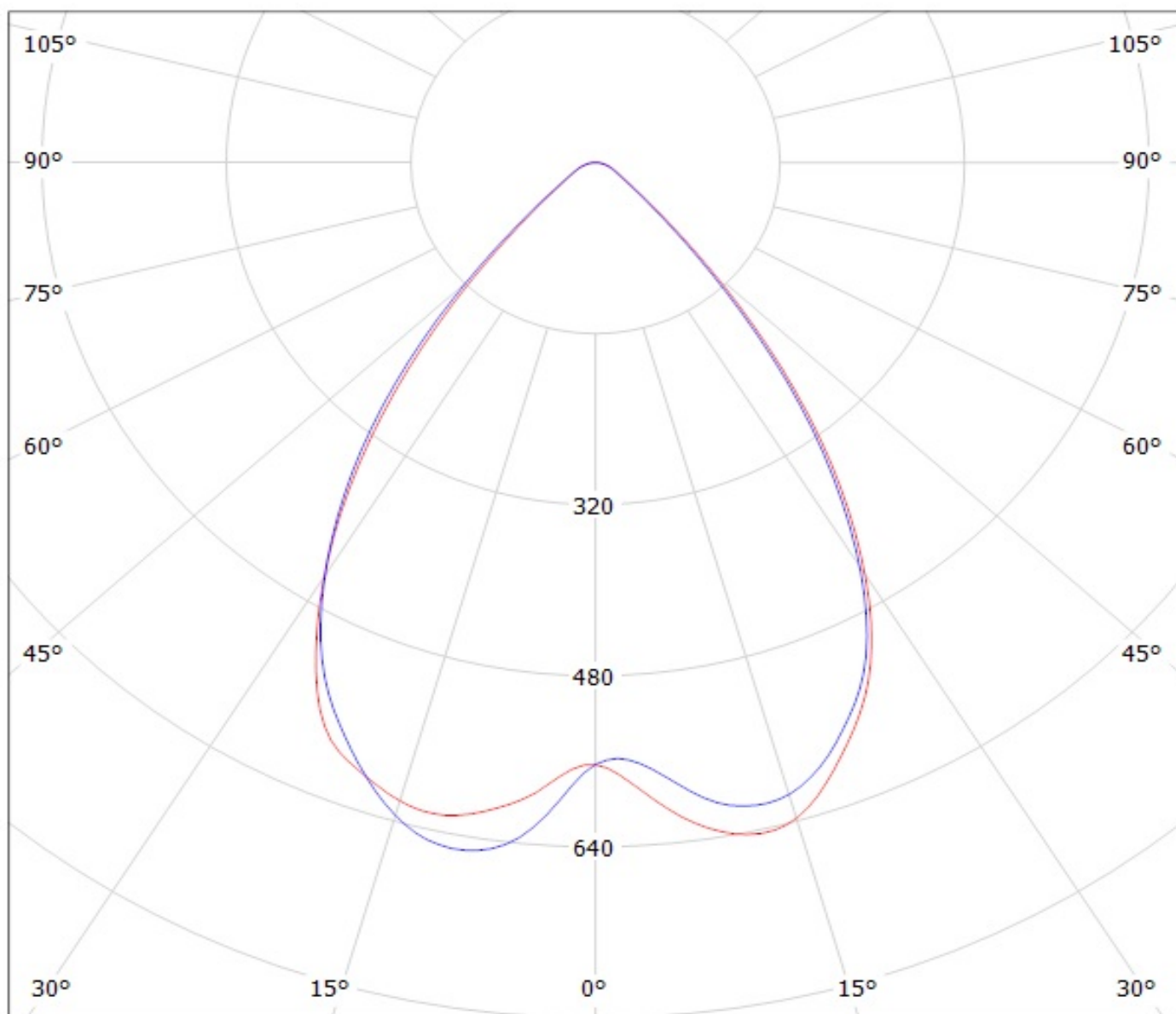


cd/klm

— C0 - C180 — C90 - C270

Luminaire: LEDiL Oy FA11826_TINA3-WWW_(XP-L_HI)

Lamps: 1 x Cree_XP-L_HI_113.703lm@250mA_P=0.743328W_I=0.2499A



cd/klm

— C0 - C180

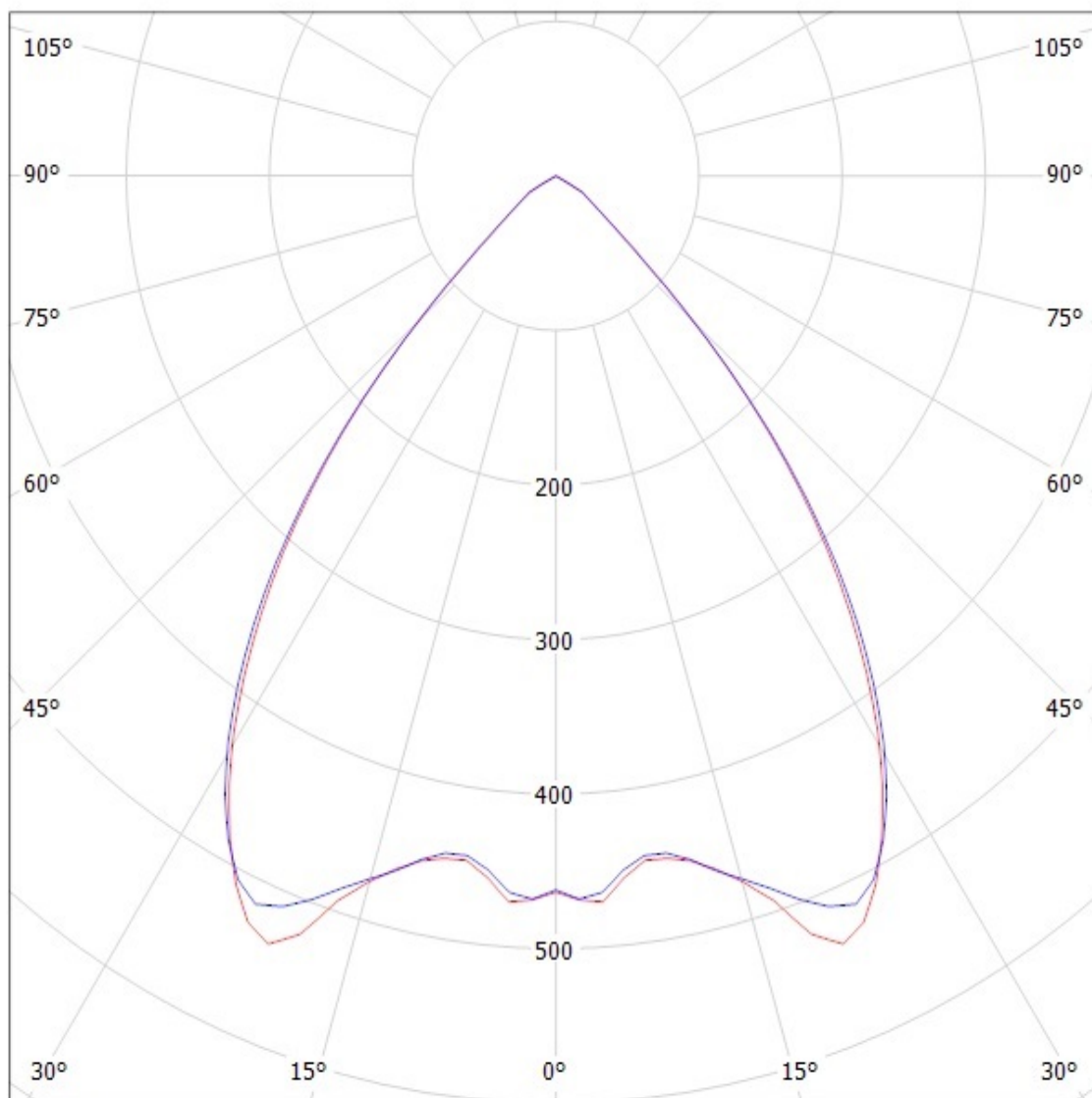
— C90 - C270

$\eta = 90\%$

Ledil Oy FA11826_Tina3-WWW-RE-ES FA11826_Tina3-WWW-RE-ES / LDC (Polar)

Luminaire: Ledil Oy FA11826_Tina3-WWW-RE-ES FA11826_Tina3-WWW-RE-ES

Lamps: 1 x Luxeon Rebel ES



cd/klm

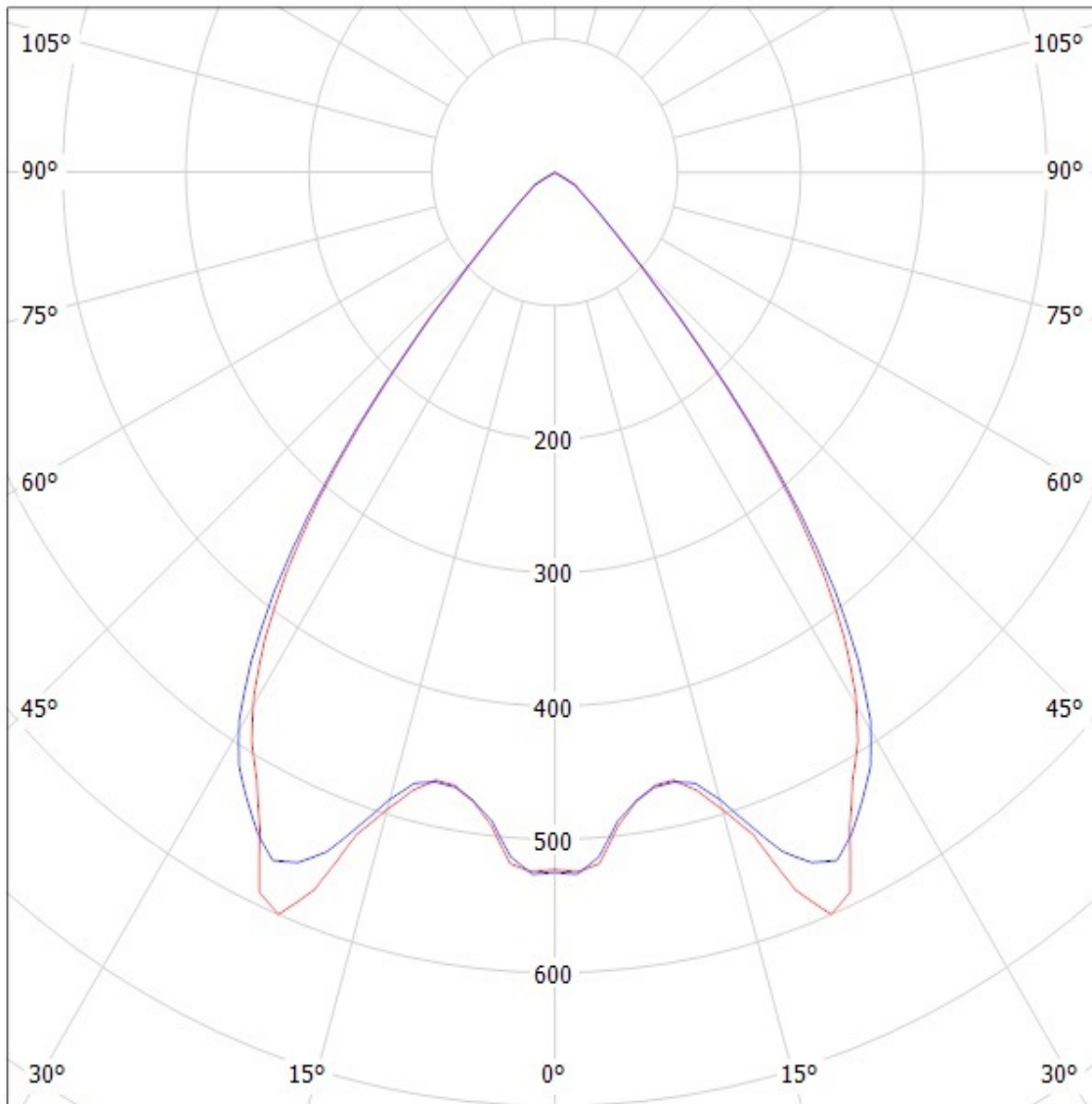
— C0 - C180 — C90 - C270

SIMULATED

Ledil Oy FA11869-Tina3-WWW-RE FA11869-Tina3-WWW-RE / LDC (Polar)

Luminaire: Ledil Oy FA11869-Tina3-WWW-RE FA11869-Tina3-WWW-RE

Lamps: 1 x Luxeon Rebel



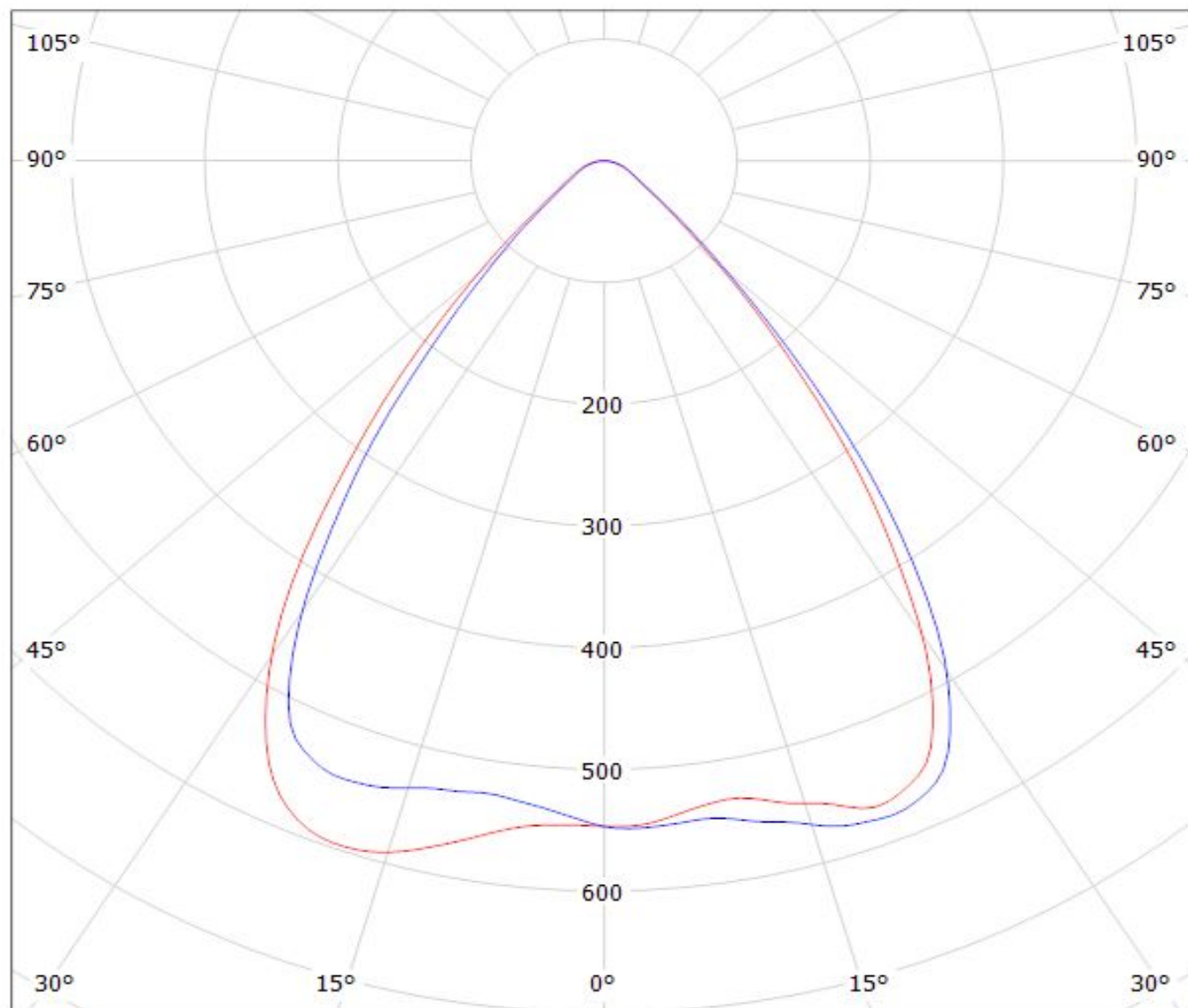
cd/klm

— C0 - C180 — C90 - C270

SIMULATED

Luminaire: Ledil Oy FA11826_TINA3-WWW Eff. 88%

Lamps: 1 x Nichia NF2x757A (NF2L757ART) 67lm@100mA CCT=4700K P=0.6W I=100mA



cd/klm

— C0 - C180

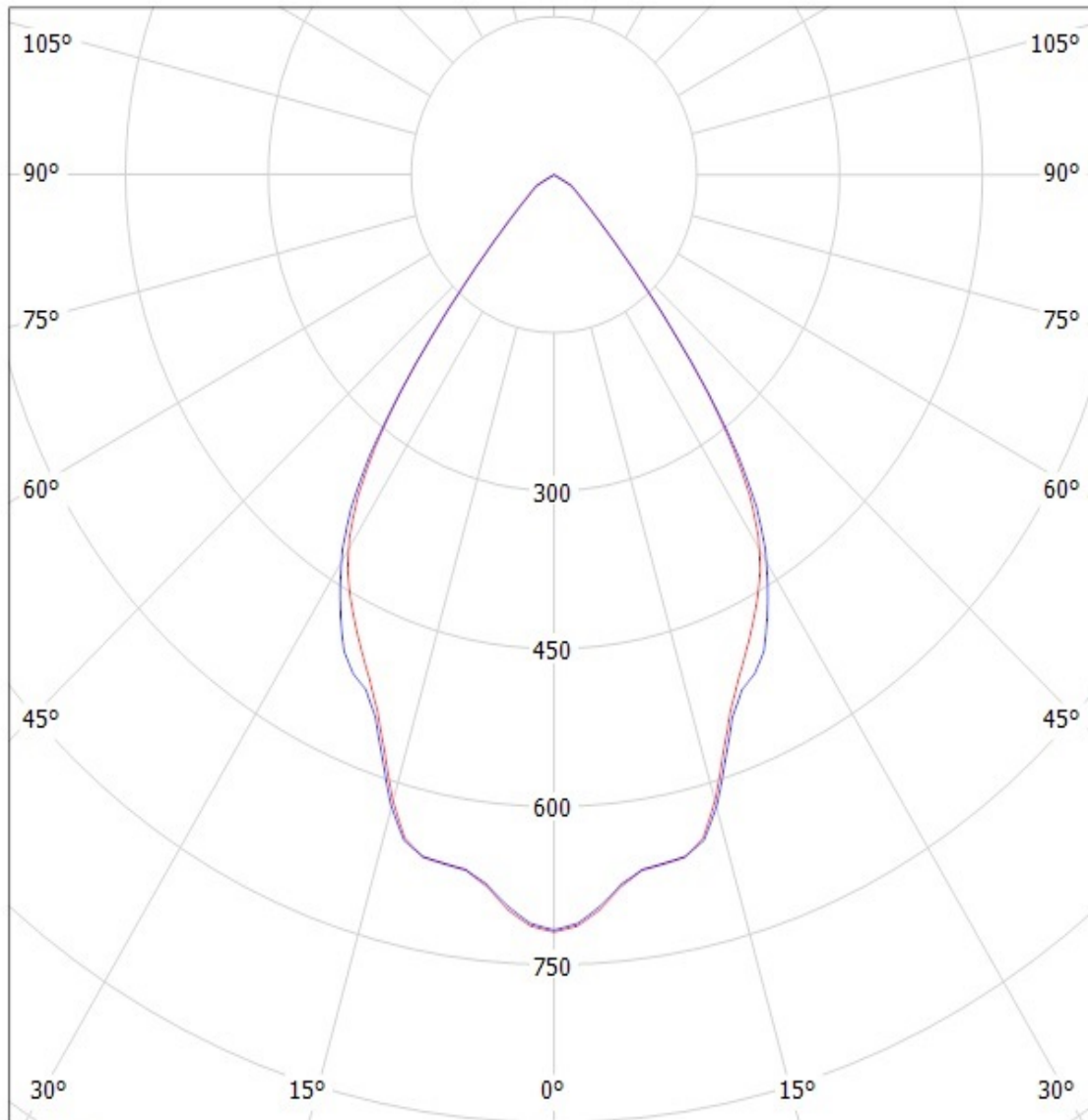
— C90 - C270

$\eta = 88\%$

Ledil Oy FA11826_Tina3-WWW-OSL FA11826_Tina3-WWW-OSL / LDC (Polar)

Luminaire: Ledil Oy FA11826_Tina3-WWW-OSL FA11826_Tina3-WWW-OSL

Lamps: 1 x Osram Oslon 80ø (white)



cd/klm

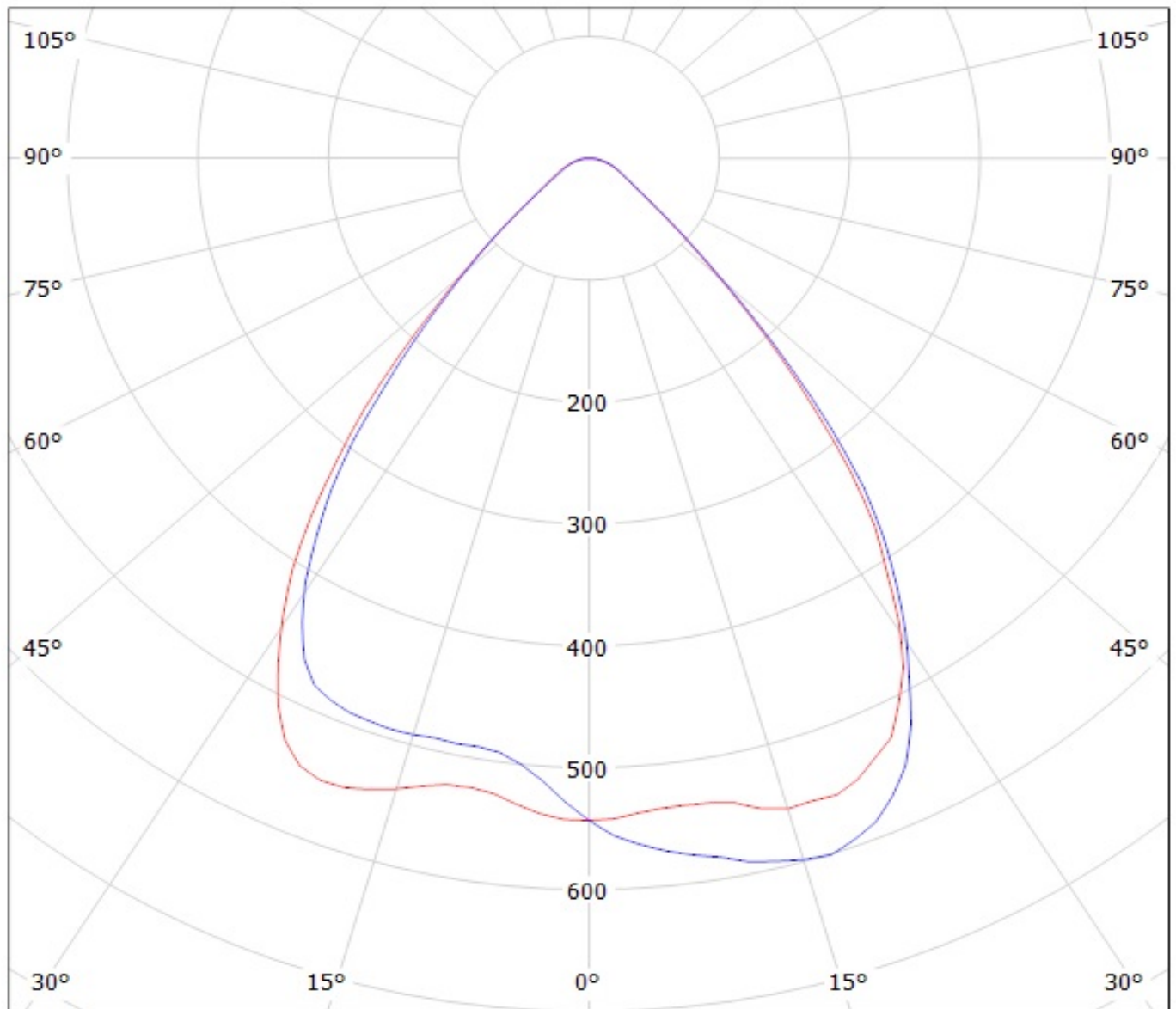
— C0 - C180

— C90 - C270

SIMULATED

Luminaire: LEDil Oy FA11826_TINA3-WWW_(DURIS_S5) Efficiency=88%

Lamps: 1 x Osram Duris S5 (GW PSLPS1.ÉC) 102lm @ 150mA CCT=6300K P=1.0W I=150mA



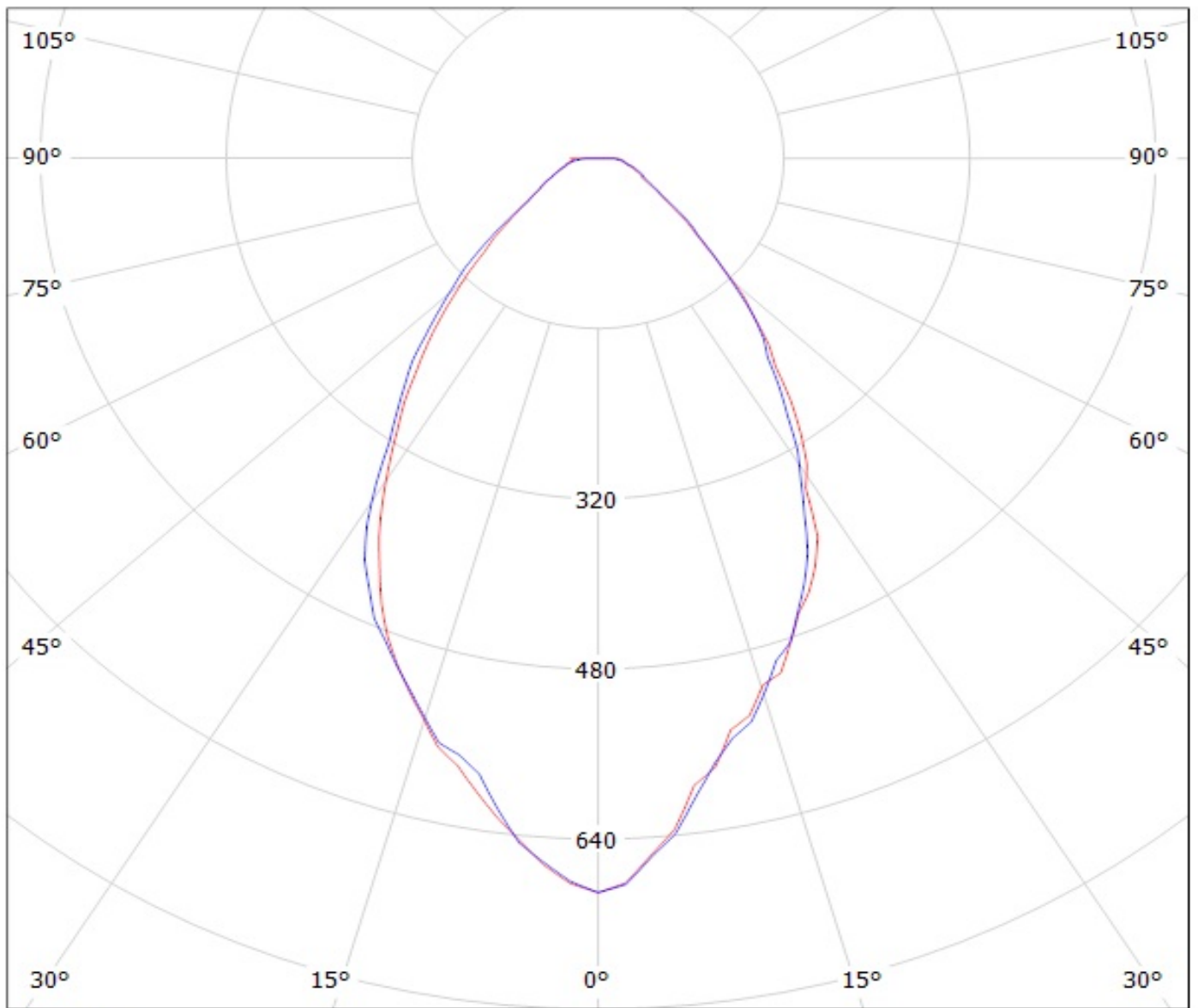
cd/klm

— C0 - C180

— C90 - C270

$\eta = 89\%$

Luminaire: Ledil Oy FA11826_TINA3-WWW (Seoul Z5 68lm @ 250mA) Efficiency=89%
Lamps: 1 x Seoul Z5 68lm @ 250mA



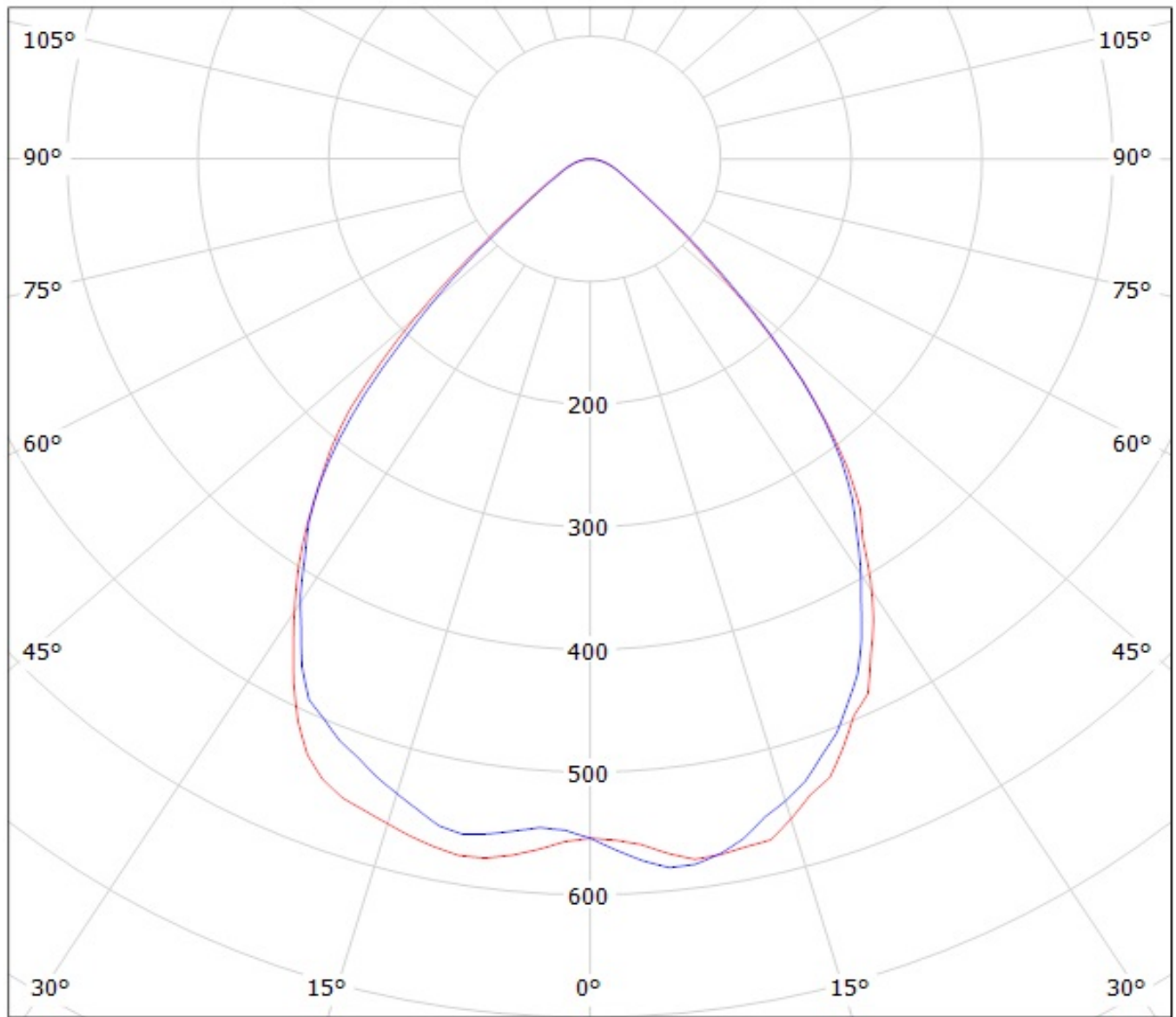
cd/klm

— C0 - C180

— C90 - C270

Luminaire: LEDil Oy FA11826_TINA3-WWW_(Z5M1) Efficiency=90%

Lamps: 1 x Seoul Z5M1 (SZ5M1-W0-C8/W1-A5-G) 108lm @ 250mA CCT=9100K P=0.8W I=250mA



cd/klm

— C0 - C180

— C90 - C270

NOTE: The typical divergence will be changed by different color, chip size and chip position tolerance. The typical total divergence is the full angle measured where the luminous intensity is half of the peak value.