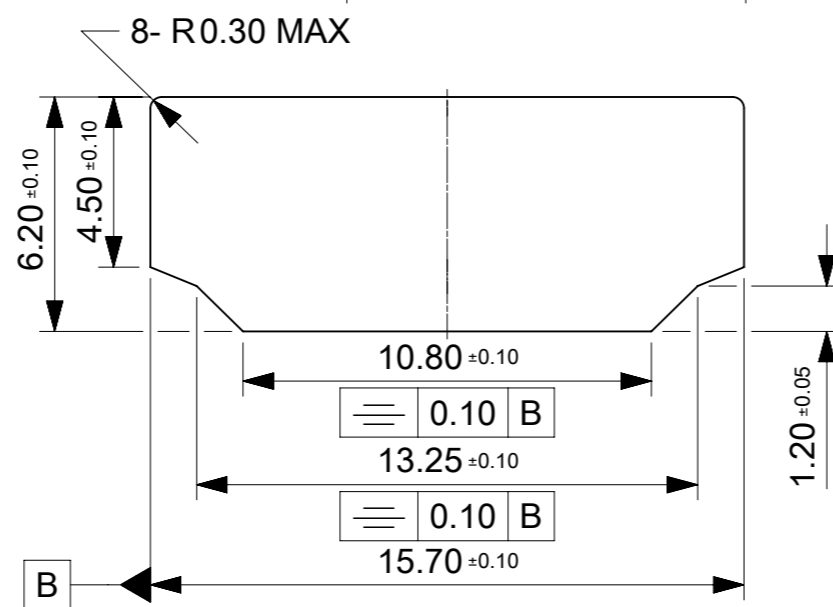
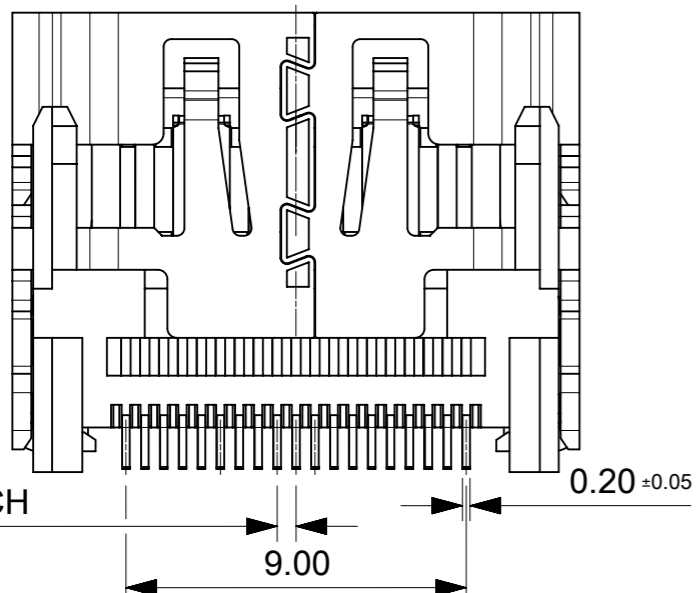
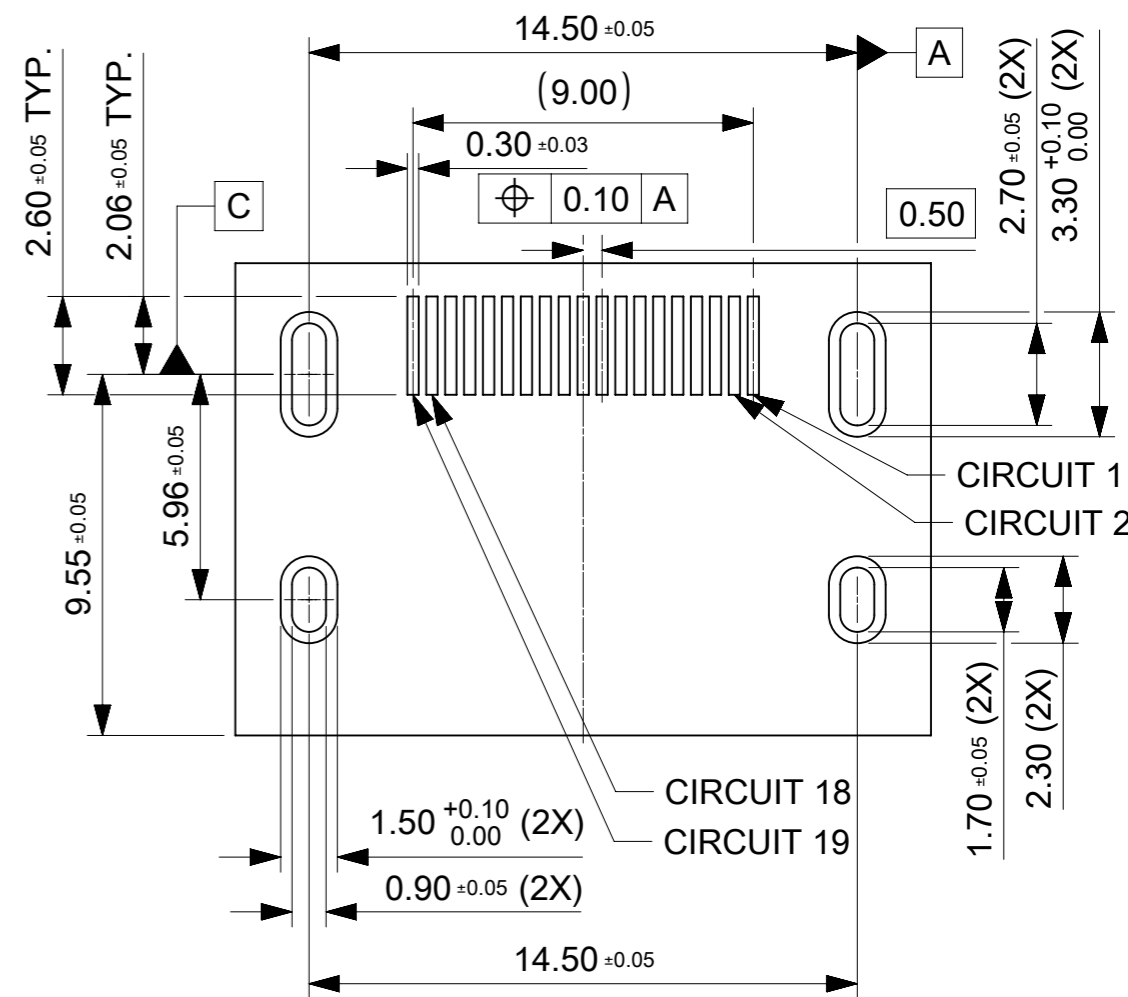
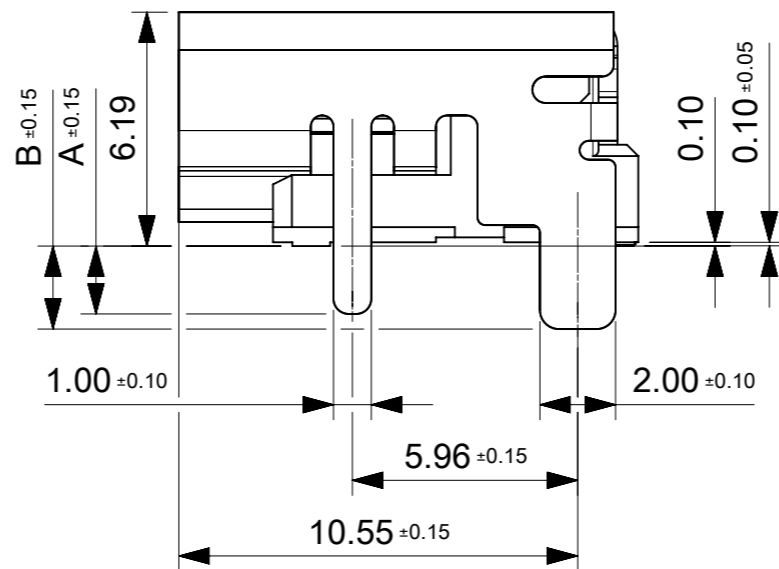
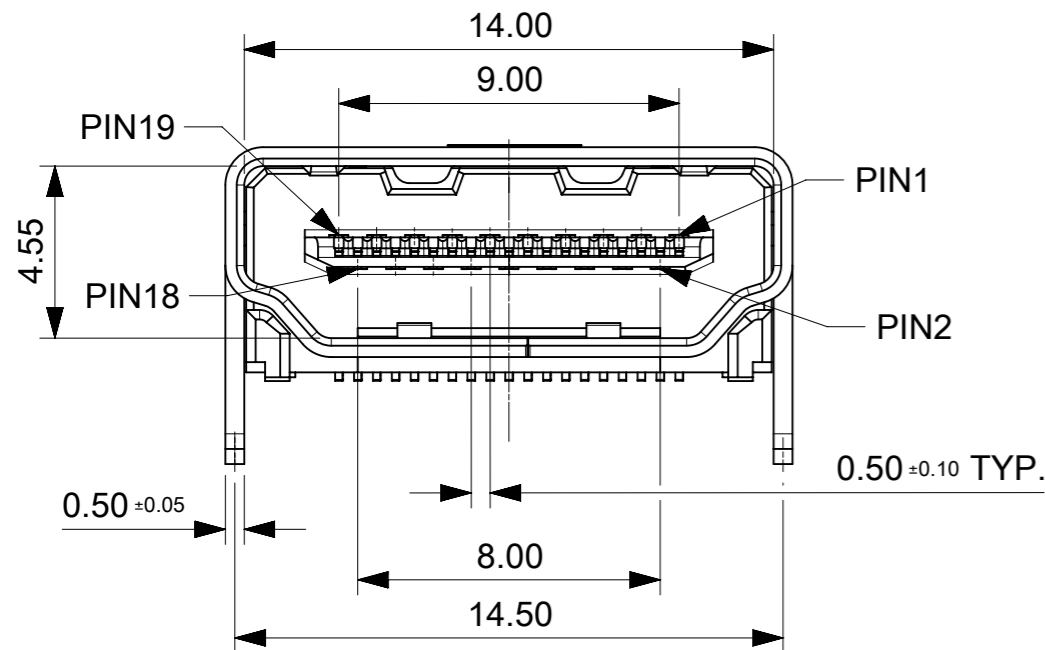
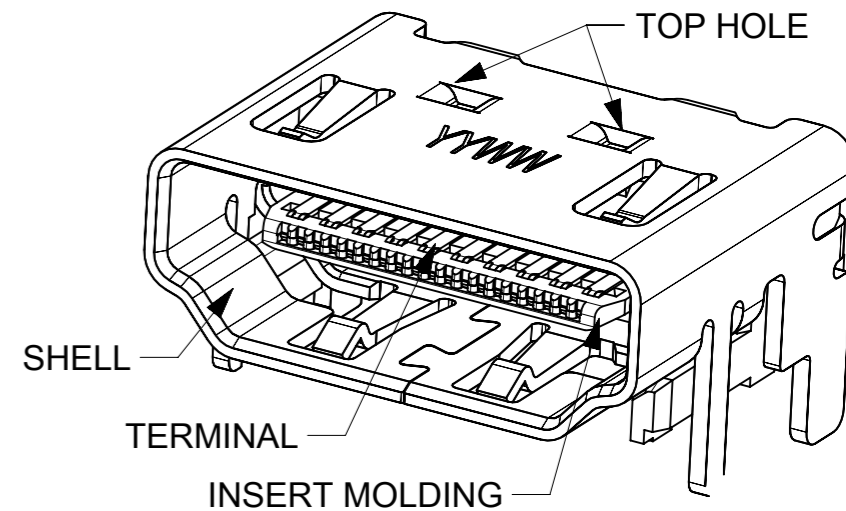


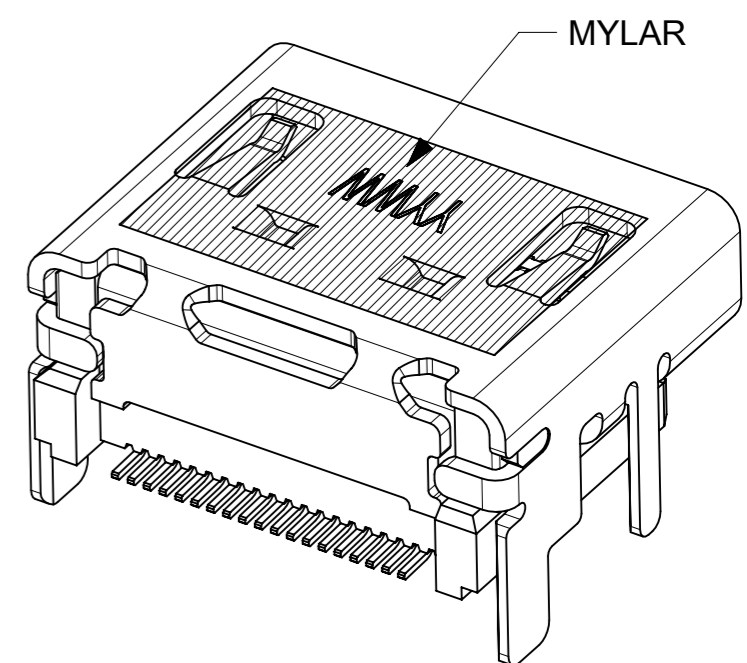
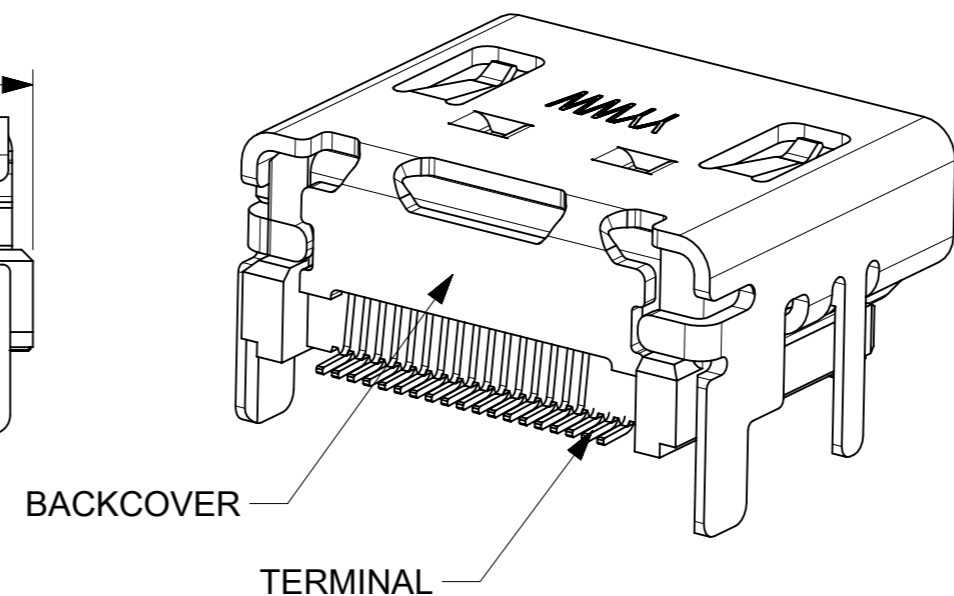
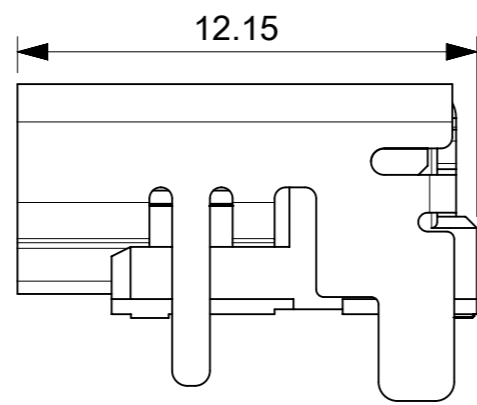
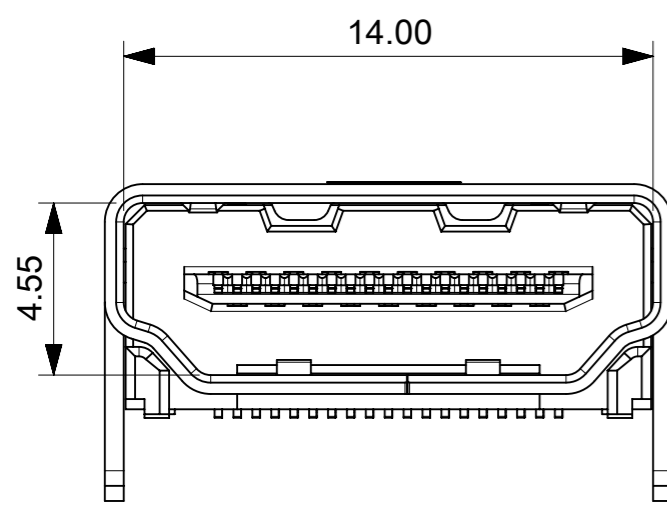
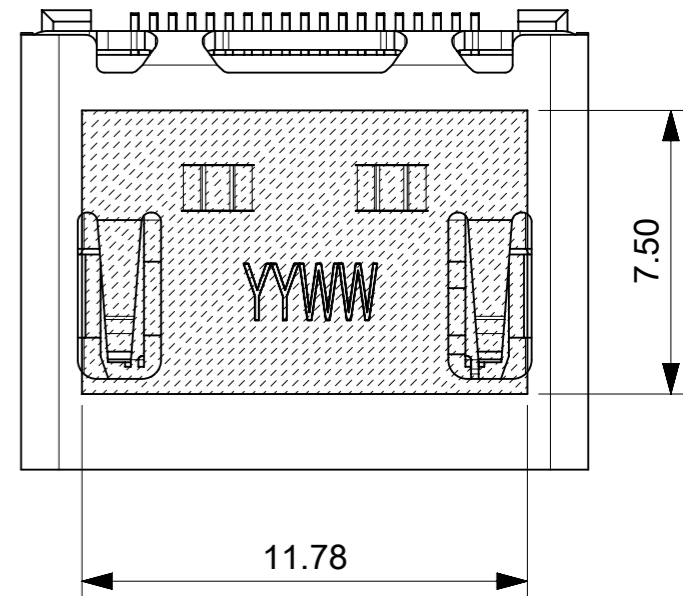
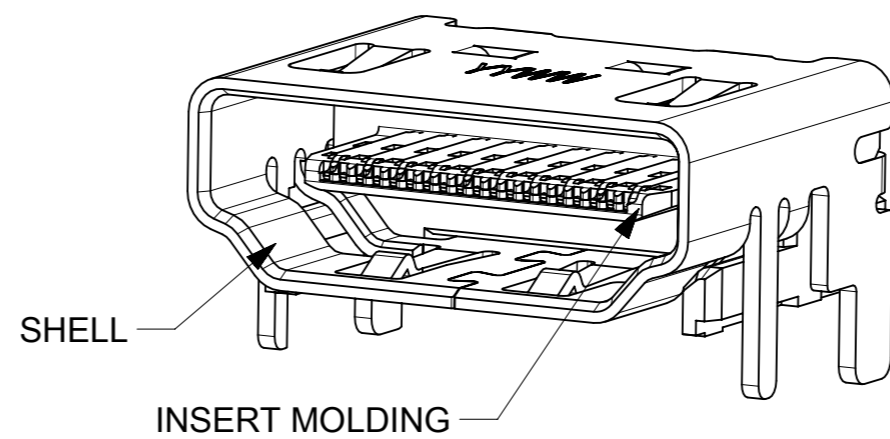
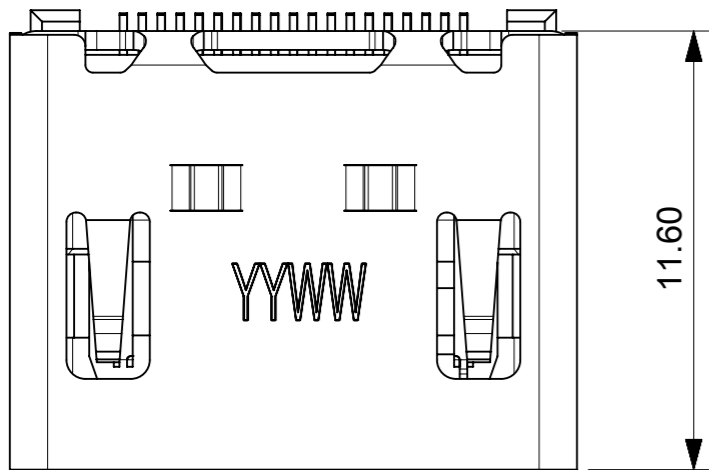
**NOTES:**

- MATERIAL:**  
HOUSING: LCP, COLOR: BLACK, UL94V-0.  
SHELL: STAINLESS STEEL.  
TERMINAL: BRASS, ALLOY.
- PLATING BE SEEN AT SHEET 3.
- COMPLANARITY OF SOLDER TAIL: 0.10mm MAX.
- DATE CODE: YY=YEAR, WW=WEEK.
- PRODUCT SPEC. REFER TO 2086580001(PS).
- PACKAGE SPEC. REFER TO PACKAGE DRAWING 2086589901.
- PLEASE CONTACT YOUR SALES REPRESENTATIVE IF INTENDED FOR AUTOMOTIVE.



**RECOMMENDED PCB LAYOUT  
CONNECTOR SIDE ONLY**

|   |                        |                   |        |                            |                |
|---|------------------------|-------------------|--------|----------------------------|----------------|
| THIS DRAWING CONTAINS INFORMATION THAT IS PROPRIETARY TO MOLEX ELECTRONIC TECHNOLOGIES, LLC AND SHOULD NOT BE USED WITHOUT WRITTEN PERMISSION |                        | CURRENT REV DESC: |        | <b>molex</b>               |                |
| DIMENSION UNITS   | SCALE                  |                   |        |                            |                |
| mm  | NTS                    |                   |        | HDMI FOR INSERT-MOLD TYPE  |                |
| GENERAL TOLERANCES (UNLESS SPECIFIED)   |                        |                   |        | PRODUCT CUSTOMER DRAWING   |                |
| ANGULAR TOL ± 3.0°  |                        |                   |        | DOCUMENT NUMBER            |                |
| 4 PLACES ±  | EC NO: 668949          | 2021/11/09        |        | 2086581000                 |                |
| 3 PLACES ±  | DRWN: XQZHANG          | 2022/01/20        |        | PSD 000 A                  |                |
| 2 PLACES ± 0.25   | CHK'D: AYIN            | 2022/01/20        |        | DOC TYPE DOC PART REVISION |                |
| 1 PLACE ± 0.25  | APPR: AYIN             | INITIAL REVISION: |        |                            |                |
| 0 PLACES ±  | DRWN: XQZHANG          | 2021/11/09        |        |                            |                |
|   | APPR: AYIN             | 2022/01/20        |        |                            |                |
| DRAFT WHERE APPLICABLE MUST REMAIN WITHIN DIMENSIONS  | THIRD ANGLE PROJECTION | DRAWING           | SERIES | MATERIAL NUMBER            | CUSTOMER       |
|   |                        | A3-SIZE           | 208658 | SEE TABLE                  | GENERAL MARKET |
|   |                        |                   |        | SHEET NUMBER               |                |
|   |                        |                   |        | 1 OF 3                     |                |



THIS IS ONLY FOR 2086581061/1081

NOTES:  
 1. THE UNSPECIFIED DIMENSION ARE SAME AS SHEET 1.  
 2. PACKAGE SPEC. REFER TO PACKAGE DRAWING 2086589901.

|   |  |        |  |                        |  |                |  |              |  |
|---|--|--------|--|------------------------|--|----------------|--|--------------|--|
| THIS DRAWING CONTAINS INFORMATION THAT IS PROPRIETARY TO MOLEX ELECTRONIC TECHNOLOGIES, LLC AND SHOULD NOT BE USED WITHOUT WRITTEN PERMISSION |  |        |  |                        |  |                |  |              |  |
| DIMENSION UNITS   |  | SCALE  |  | CURRENT REV DESC:      |  |                |  |              |  |
| mm  |  | NTS    |  |                        |  |                |  |              |  |
| GENERAL TOLERANCES (UNLESS SPECIFIED)   |  |        |  |                        |  |                |  |              |  |
| ANGULAR TOL ± 3.0°  |  |        |  |                        |  |                |  |              |  |
| 4 PLACES  |  | ±      |  | EC NO: 668949          |  |                |  |              |  |
| 3 PLACES  |  | ±      |  | DRWN: XQZHANG          |  | 2021/11/09     |  |              |  |
| 2 PLACES  |  | ± 0.25 |  | CHK'D: AYIN            |  | 2022/01/20     |  |              |  |
| 1 PLACE   |  | ± 0.25 |  | APPR: AYIN             |  | 2022/01/20     |  |              |  |
| 0 PLACES  |  | ±      |  | INITIAL REVISION:      |  |                |  |              |  |
|   |  |        |  | DRWN: XQZHANG          |  | 2021/11/09     |  |              |  |
|   |  |        |  | APPR: AYIN             |  | 2022/01/20     |  |              |  |
| DRAFT WHERE APPLICABLE MUST REMAIN WITHIN DIMENSIONS  |  |        |  | THIRD ANGLE PROJECTION |  | DRAWING        |  | SERIES       |  |
|   |  |        |  |                        |  | A3-SIZE        |  | 208658       |  |
|   |  |        |  | MATERIAL NUMBER        |  | CUSTOMER       |  | SHEET NUMBER |  |
|   |  |        |  | SEE TABLE              |  | GENERAL MARKET |  | 2 OF 3       |  |

**molex**

HDMI FOR INSERT-MOLD TYPE

PRODUCT CUSTOMER DRAWING

|                 |          |          |          |
|-----------------|----------|----------|----------|
| DOCUMENT NUMBER | DOC TYPE | DOC PART | REVISION |
| 2086581000      | PSD      | 000      | A        |

| MOLEX P/N   | DIMENSION |        | FEATURE |            |            |       | GOLD PLATING IN CONTACT AREA | SHELL MATERIAL |      |                              |                              |
|-------------|-----------|--------|---------|------------|------------|-------|------------------------------|----------------|------|------------------------------|------------------------------|
|             | DIM. A    | DIM. B | FLANGE  | BACK COVER | TOPE HOLES | MYLAR |                              |                |      |                              |                              |
| 208658-1001 | 1.8       | 2.2    | W/O     | WITH       | WITH       | W/O   | GOLD PLATING 0.76 MICROMETER | SUS304         |      |                              |                              |
| 208658-1051 |           |        |         |            |            |       | GOLD FLASH                   |                |      |                              |                              |
| 208658-1061 | 1.8       | 2.2    |         |            |            |       | W/O                          |                | WITH | WITH                         | GOLD PLATING 0.76 MICROMETER |
| 208658-1081 |           |        |         |            |            |       |                              |                |      |                              | GOLD FLASH                   |
| 208658-1101 | 1.45      | 1.45   |         |            |            |       | W/O                          |                | W/O  | GOLD PLATING 0.76 MICROMETER |                              |
| 208658-8131 | 2.2       | 2.2    |         |            |            |       |                              |                |      | GOLD PLATING 0.76 MICROMETER |                              |

PLATING:

(1) TERMINAL:

CONTACT AREA BE SEEN TABLE AS ABOVE;  
 SOLDER TAIL AREA GOLD FLASH PLATING.  
 UNDER PLEATING: 1.27 MICROMETER MIN. NICKEL.

(2) SHELL:

1.25~3.75 MICROMETER SOLDERABLE NICKEL PLATING AT SOLDER TAIL AREA  
 0.75 MICROMETER MIN. SOLDERABLE NICKEL PLATING AT OTHER AREA.

|   |         |                        |            |        |                 |                 |                           |              |          |          |
|---|---------|------------------------|------------|--------|-----------------|-----------------|---------------------------|--------------|----------|----------|
| THIS DRAWING CONTAINS INFORMATION THAT IS PROPRIETARY TO MOLEX ELECTRONIC TECHNOLOGIES, LLC AND SHOULD NOT BE USED WITHOUT WRITTEN PERMISSION |         |                        |            |        |                 |                 |                           |              |          |          |
| DIMENSION UNITS   | SCALE   | CURRENT REV DESC:      |            |        |                 |                 | <b>molex</b>              |              |          |          |
| mm  | NTS     |                        |            |        |                 |                 |                           |              |          |          |
| GENERAL TOLERANCES (UNLESS SPECIFIED)   |         |                        |            |        |                 |                 | HDMI FOR INSERT-MOLD TYPE |              |          |          |
| ANGULAR TOL   | ± 3.0 ° |                        |            |        |                 |                 | PRODUCT CUSTOMER DRAWING  |              |          |          |
| 4 PLACES  | ±       | EC NO: 668949          |            |        |                 |                 |                           |              |          |          |
| 3 PLACES  | ±       | DRWN: XQZHANG          | 2021/11/09 |        |                 |                 |                           |              |          |          |
| 2 PLACES  | ± 0.25  | CHK'D: AYIN            | 2022/01/20 |        |                 |                 |                           |              |          |          |
| 1 PLACE   | ± 0.25  | APPR: AYIN             | 2022/01/20 |        |                 |                 |                           |              |          |          |
| 0 PLACES  | ±       | INITIAL REVISION:      |            |        |                 | DOCUMENT NUMBER |                           | DOC TYPE     | DOC PART | REVISION |
|   |         | DRWN: XQZHANG          | 2021/11/09 |        |                 | 2086581000      |                           | PSD          | 000      | A        |
|   |         | APPR: AYIN             | 2022/01/20 |        |                 |                 |                           |              |          |          |
| DRAFT WHERE APPLICABLE MUST REMAIN WITHIN DIMENSIONS  |         | THIRD ANGLE PROJECTION | DRAWING    | SERIES | MATERIAL NUMBER | CUSTOMER        |                           | SHEET NUMBER |          |          |
|   |         |                        | A3-SIZE    | 208658 | SEE TABLE       | GENERAL MARKET  |                           | 3 OF 3       |          |          |