

Data sheet

Commercial Art.No.: 96.021.5053.1

Device connector RST20I2S B13 M01 SW

RST20i3/2 device connector M25, 2 pole, female, screw connection, application 250V, 20A, coding color black



Commercial Art.No.	96.021.5053.1
EAN	4015573852860
Order Unit	1

Certificates / Approvals



LR

RINA



Technical data

General

Rated current	20 A
Rated voltage	250 V
Pollution degree	3
Rated impulse voltage	4 kV
Lockable	self-locking (unlocking by tool)
Color of coding/ contact carrier	black
Marking of poles	L, N

Connection Data

Connection cross section solid mm ² max.	6 mm ²
Connection cross section solid mm ² min.	0.75 mm ²
Connection cross section solid AWG min.	16 AWG
Connection cross section solid AWG max.	10 AWG
Connection cross section fine stranded mm ² max.	6 mm ²
Connection cross section fine stranded mm ² min.	0.75 mm ²
Terminations per pole	1
Wire strip length	8 mm
Connection cross section stranded AWG min.	16 AWG
Connection cross section stranded AWG max.	10 AWG

Model

Model	female
Connection type	screw connection
Connecting thread metric	M25
Angle of plug	straight

Degree of protection (IP)	IP66/68 (3m;2h) /IP69
Thickness of housings (electrical device) 2	0.5 mm
Thickness of housings (electrical device)	8 mm

Material

Housing material	Polyamide
halogen free	yes
Contact material	CuZn
Fire load	0.137 kWh
Insulation components continuous temperature	100 °C
Surface finish	Silver-plated

Dimensions

Length	50.5 mm
Width	35 mm
Height	35 mm

Classification

ECLASS 11	
ECLASS 8.1	27440602
ETIM 7.0	EC002566
ETIM 6.0	EC002566
ETIM 5.0	EC002566
ETIM 4.0	EC002566

Note

Note	RST® terminals with screw clamping allow the connection of conductors without special preparation (without ferrules) according to EN 60999-1.; Positioning realised with flattened thread
------	---

Product compliance

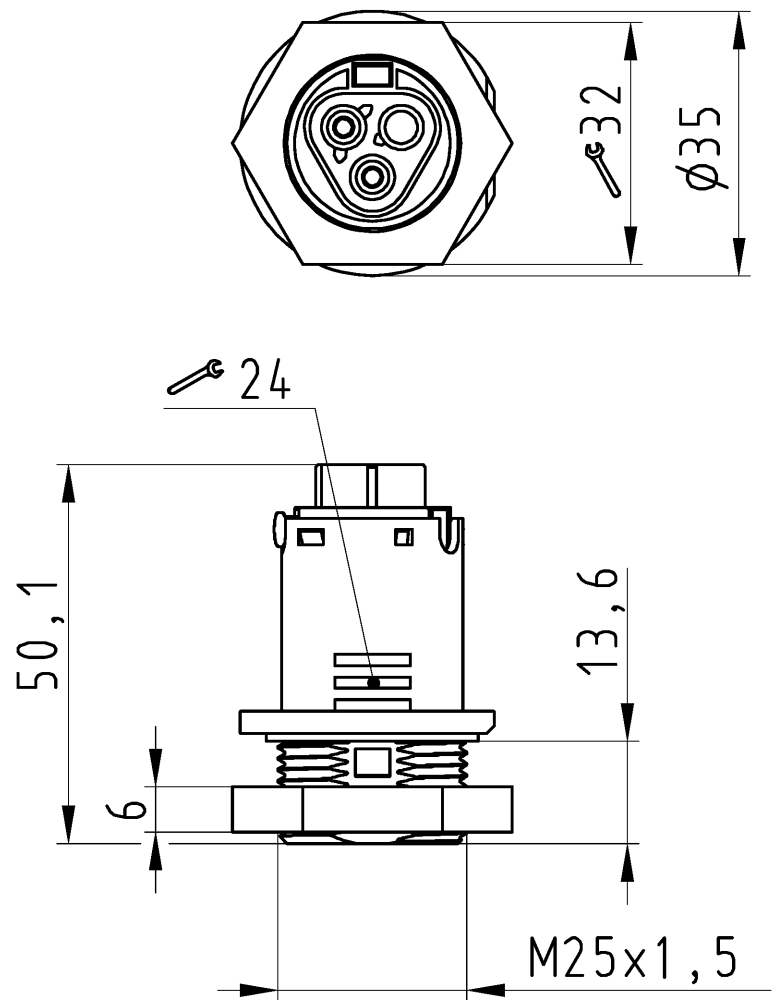
ROHS conformity status	Compliant/Exempted
ROHS exceptions	III-6(c)
REACH-SVHC conformity status	Duty-To-Declare
REACH-SVHC substances	Lead
REACH-SVHC CAS numbers	7439-92-1

Accessories

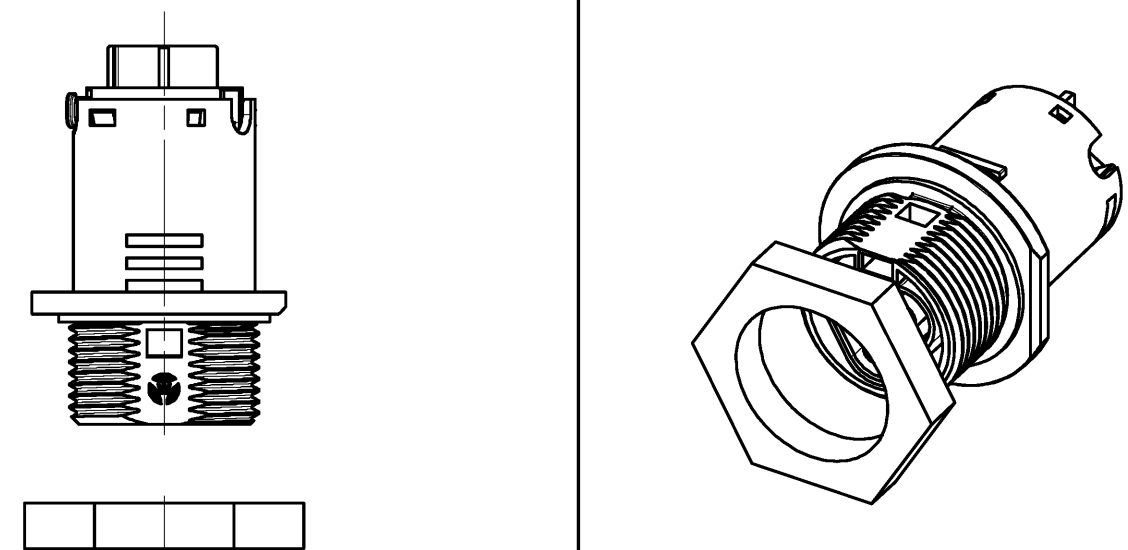
Commercial Art.No.:	Article-type description:	Description:
99.414.6205.2	Cover for female connector SW	RST20i3/2 cover piece, for covering unused female connectors, with fastening belt, color schwarz
Z5.564.4553.1	Cover for female connector SW	RST20i3/2 cover piece, for covering unused female connectors, color black
05.566.5253.1	Spacer ring RST	RST20/25 distance ring, for device connectors to ensure unlocking with screwdriver, color black

These dimensions will be especially checked at delivery
 Only inspection dimensions
 With /E marked dimensions are only valid for internal use

Diese Maße werden bei Abnahme besonders geprüft
 Ausschließlich Prüfmaße
 Mit /E gekennzeichnete Maße sind nur für interne Zwecke gültig



Auslieferungszustand
 delivery status



Verpackungseinheit: je 100 Stück
 packaging unit: per 100

96.021.5053.1	RST2012S B13 M01 SW	schwarz /black
96.021.5053.0	RST2012S B13 M01 GL	lichtgrau /lightgrey
Bestellnummer /Order number	Typ /Type	Farbe /color
Weitere Daten siehe KATALOG oder eKatalog. Additional data see CATALOG or eCatalog.		www.wieland-electric.com eshop.wieland-electric.com

Weitergabe sowie Vervielfältigung dieses Dokuments, Verwertung und Mitteilung seines Inhalts sind verboten, soweit nicht ausdrücklich gestattet.
 The reproduction, distribution and utilization of this document as well as the communication of its contents to others without express authorization is prohibited.

Öffnungsmassbild siehe 96.031.1053.1 14K
 opening dimension see 96.031.1053.1 14K

Tolerierung Size ISO 14405(®)/Tolerance system Size ISO 14405(®). (This ISO-standard describes the envelope principle. According to the envelope principle the deviations of form and parallelism are limited by the size tolerances).		nein/no <input checked="" type="checkbox"/> Stoffverbots- und Deklarationsliste nach WN 5020.010 ist einzuhalten. Conformity with Wieland document WN 5020.010 e (list of prohibited / declarable hazardous substances) to be declared!	
Freitoleranz nach General tolerance	CAD - Zeichnung, keine manuellen Änderungen CAD - drawing, no manual modifications allowed	1.Verwendung: First Use:	Blatt: 1 von 1 Sheet: of
	Werkstoff/Material	2015 Tag/Date Name	Zeichnung Nr./Drawing No. Index
		gezeichnet drawn 06.07. HoffmannT	T 96.021.5053.0 13K
	Maßstab/Scale	geprüft checked - -	
	1:1	Normgepr. Stand. check - -	
	Vol. mm ³ OfI./Surf. mm ²	Ersatz für/Replacement for: -	
		Type	Benennung/Title
			BUCHSENTEIL female connector
Index	Datum / Blatt Date / Sheet	www.wieland www.wieland-electric.com	
Änderung/Revision			