

DIP Type Tact Switches

SPECIFICATION

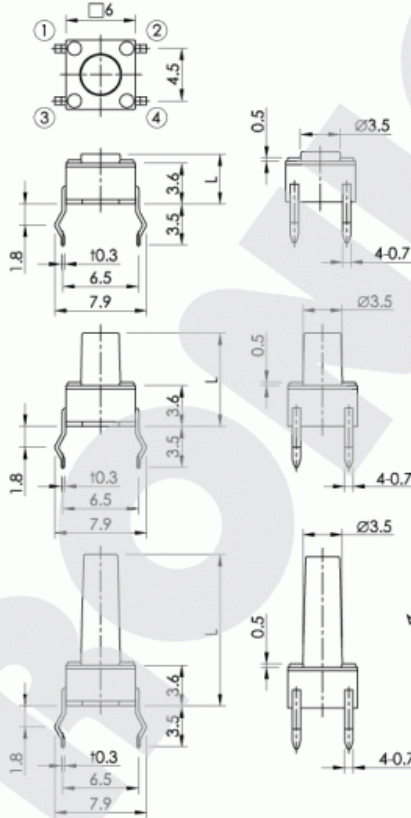
Rating : 50mA 12V DC.
 Insulation resistance : >100MΩ 250V DC.
 Contact resistance : <100mΩ.

Withstand voltage : 250V AC for 1 minute.
 Life : 100,000 Cycles.
 Ambient temperature : -25°C ~ 70°C.
 Operating force : 130, 160, 250±50g.

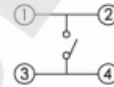
0643~0660



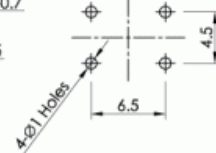
MODEL NO.	STEM(L)
0643	4.3
0650	5.0
0660	6.0



CIRCUIT DIAGRAM



P.C.B. LAYOUT



0670~0695



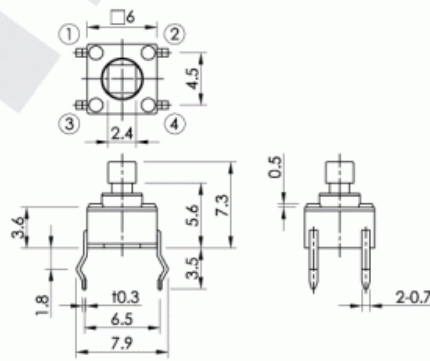
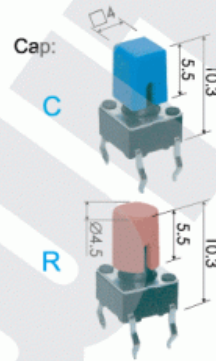
MODEL NO.	STEM(L)
0670	7.0
0680	8.0
0690	9.0
0695	9.5

0610~0621

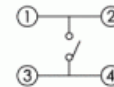


MODEL NO.	STEM(L)
0610	10.0
0611	11.0
0612	12.0
06125	12.5
0613	13.0
06135	13.5
0614	14.0
0615	15.0
0616	16.0
0617	17.0
0619	19.0
0621	21.0

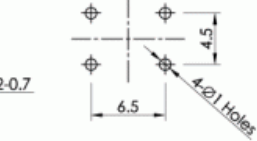
0673



CIRCUIT DIAGRAM



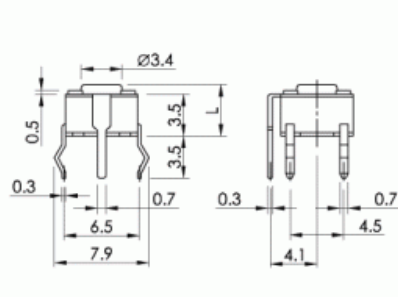
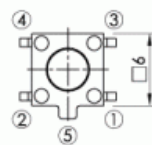
P.C.B. LAYOUT



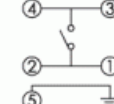
0643G (Grounding) 0650G



MODEL NO.	STEM(L)
0643G	4.3
0650G	5.0



CIRCUIT DIAGRAM



P.C.B. LAYOUT

