

## Data sheet

Commercial Art.No.: 96.051.4553.1

Connector RST20i5S B1 ZR3 SW

RST20i5 connector, 5 pole, female, screw connection, application 250/400V with PE, 20A, for cable diameters 14-18mm, coding color black, color of housing black



Commercial Art.No.	96.051.4553.1
EAN	4015573875913
Order Unit	1

Certificates / Approvals



LR

RINA



## Technical data

### General

Rated current	20 A
Rated voltage	250 V / 400 V
Rated impulse voltage	4 kV
strain relief	yes
Pollution degree	3
Lockable	self-locking (unlocking by tool)
Color of coding/ contact carrier	black
Marking of poles	1, 2, 3, N, PE
Color of housing inclusive strain relief	black

### Connection Data

Cable diameter max.	18 mm
Cable diameter min.	13 mm
Connection cross section solid mm <sup>2</sup> max.	4 mm <sup>2</sup>
Connection cross section solid mm <sup>2</sup> min.	0.75 mm <sup>2</sup>
Connection cross section solid AWG min.	18 AWG
Connection cross section solid AWG max.	14 AWG
Connection cross section fine stranded mm <sup>2</sup> max.	4 mm <sup>2</sup>
Connection cross section fine stranded mm <sup>2</sup> min.	0.75 mm <sup>2</sup>
Terminations per pole	1
Connection cross section stranded mm <sup>2</sup> min.	0.75 mm <sup>2</sup>
Connection cross section stranded mm <sup>2</sup> max.	4 mm <sup>2</sup>
Connection cross section stranded AWG min.	18 AWG
Connection cross section stranded AWG max.	14 AWG
sheath strip length	37 mm
Wire strip length	8 mm

**Model**

Model	female
Connection type	screw connection
Degree of protection (IP)	IP66/68 (3m;2h) /IP69

**Material**

Housing material	Polyamide
halogen free	yes
Contact material	CuZn
Fire load	0.366 kWh
Insulation components continuous temperature	100 °C
Surface finish	Silver-plated

**Dimensions**

Length	96.6 mm
Width	35.4 mm
Height	35.4 mm

**Classification**

ECLASS 11	
ECLASS 8.1	27440605
ETIM 7.0	EC002560
ETIM 6.0	EC002560
ETIM 5.0	EC002560
ETIM 4.0	EC002560

**Note**

Note	RST® terminals with screw clamping allow the connection of conductors without special preparation (without ferrules) according to EN 60999-1.
------	---

**Product compliance**

ROHS conformity status	Compliant/Exempted
ROHS exceptions	III-6(c)
REACH-SVHC conformity status	Duty-To-Declare
REACH-SVHC substances	Lead
REACH-SVHC CAS numbers	7439-92-1

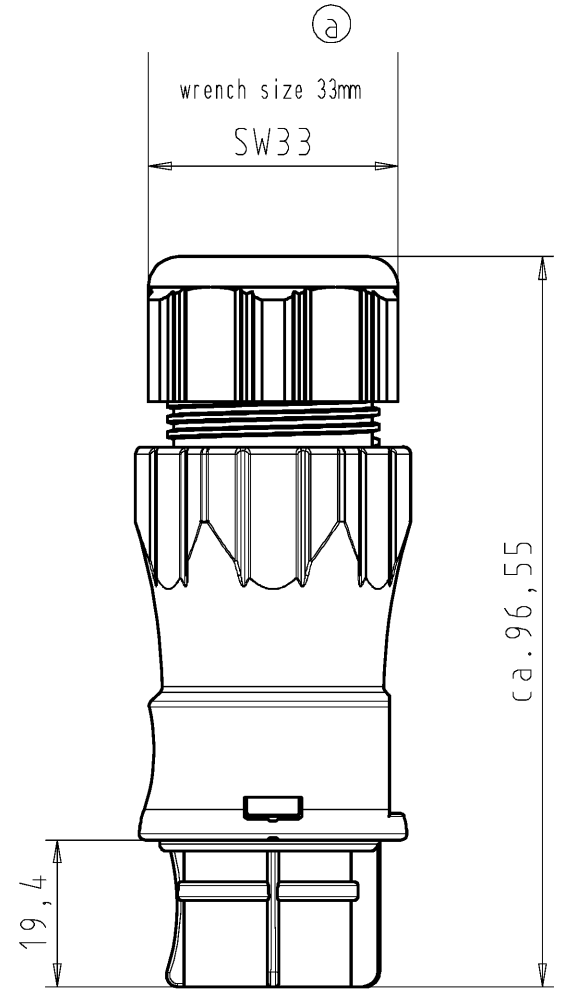
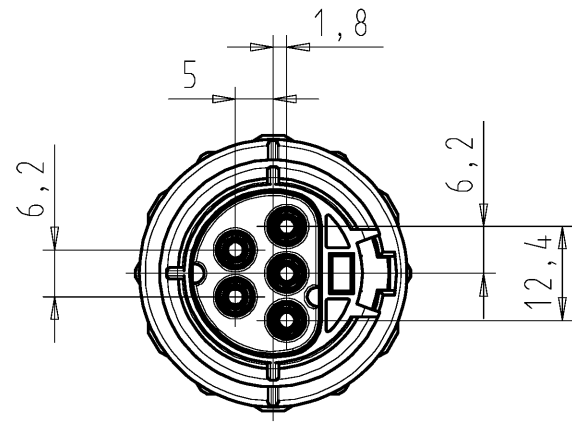
**Accessories**

Commercial Art.No.:	Article-type description:	Description:
99.530.0000.7	Cover for female connector SW	RST20i5/4 cover piece, for covering unused female connectors, with fastening belt, color black
Z5.565.9853.1	Cover for female connector SW	RST20i5/4 cover piece, for covering unused female connectors, color black
05.564.8653.1	Opener RST20i3/i5 SCHWARZ	Manual disconnect for later installation of RST connectors, color black

**Fits with**

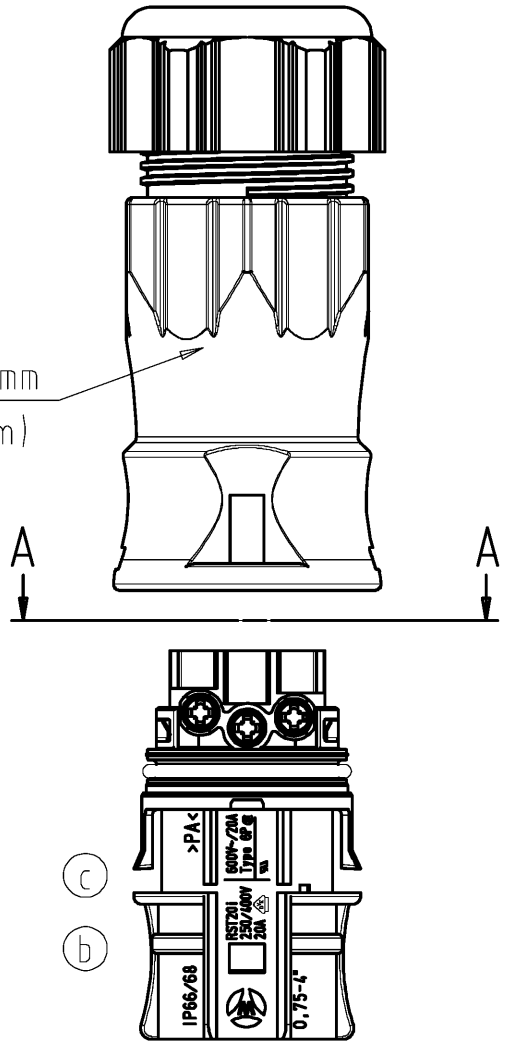
Commercial Art.No.:	Article-type description:	Description:
---------------------	---------------------------	--------------

96.050.0153.1	Distributor RST20I5B 3P1 F VG SW	RST20i5 compact distribution unit, 5 pole, application 250/400V with PE, 20A, 1 input and 3 outputs, with fastening option, coding color black, color of housing black
96.052.4553.1	Connector RST20I5S S1 ZR3 V SW	RST20i5 connector, 5 pole, male, screw connection, application 250/400V with PE, 20A, for cable diameters 14-18mm, coding color black, color of housing black
96.052.5053.1	Device connector RST20I5S S1 M01V SW	RST20i5 device connector M25, 5 pole, male, screw connection, application 250/400V with PE, 20A, coding color black
96.052.6153.1	Device connector RST20I5S S1 M03V SW	RST20i5 device connector M16, 5 pole, male, screw connection, modular, application 250/400V with PE, 20A, coding color black, color of housing black
96.052.6053.1	Device connector RST20I5S S1 M00V SW	RST20i5 device connector M20, 5 pole, male, screw connection, modular, application 250/400V with PE, 20A, coding color black, color of housing black
96.054.6053.1	Device connector RST20I5S S1 M90V SW	RST20i5 device connector (90° angled) M20, 5 pole, male, screw connection, modular, application 250/400V with PE, 20A, coding color black, color of housing black
96.054.6253.1	Device connector RST20I5S S1 M91V SW	RST20i5 device connector (90° angled) M25, 5 pole, male, screw connection, modular, application 250/400V with PE, 20A, coding color black, color of housing black
96.056.6153.1	Device connector RST20I5S S1 M13V SW	RST20i5 device connector (7° angled) M16, 5 pole, male, screw connection, modular, application 250/400V with PE, 20A, coding color black, color of housing black

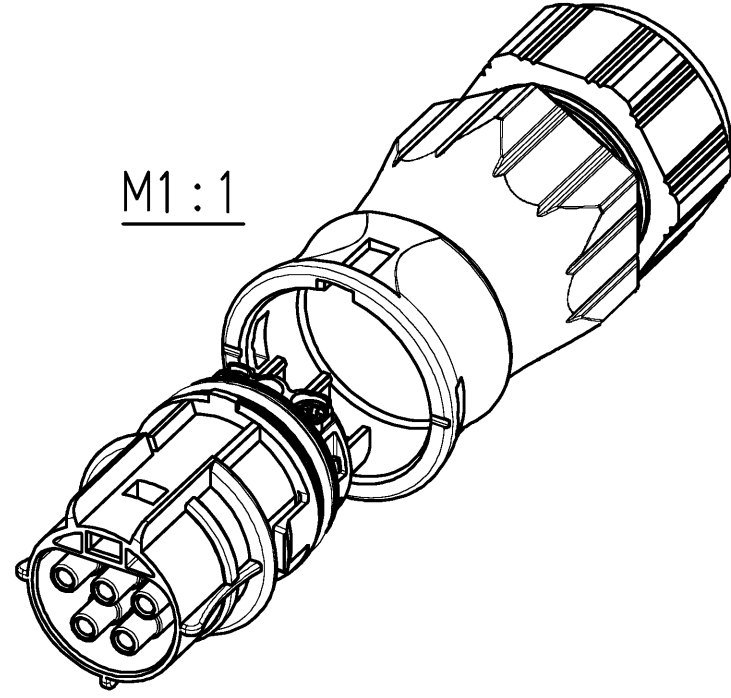
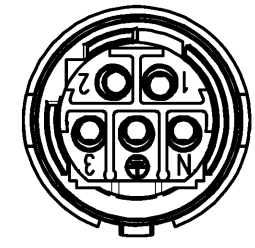


Auslieferungszustand  
delivery status

for cable diameter 14-18mm  
(für Kabeldurchm. 14-18mm)



A-A



Verpackungseinheit: je 100 Stück  
packaging unit: per 100

These dimensions will be especially checked at delivery  
Only inspection dimensions  
With /E marked dimensions are only valid for internal use

Diese Maße werden bei Abnahme besonders geprüft  
Ausschließlich Prüfmaße  
Mit /E gekennzeichnete Maße sind nur für interne Zwecke gültig

Weitergabe sowie Vervielfältigung dieses Dokuments, Verwertung und Mitteilung seines Inhalts sind verboten, soweit nicht ausdrücklich gestattet. Die Reproduktion, Distribution und Utilization of this document as well as the communication of its contents to others without express authorization is prohibited.

Tolerierung Size ISO 14405 (E)/Tolerance system Size ISO 14405 (E).  
(This ISO-standard describes the envelope principle. According to the envelope principle the deviations of form and parallelism are limited by the size tolerances).  
nein/no  Stoffverbots- und Deklarationsliste nach WN 5020.010 ist einzuhalten.  
Conformity with Wieland document WN 5020.010 e (list of prohibited / declarable hazardous substances) to be declared!

Freitoleranz nach General tolerance CAD - Zeichnung, keine manuellen Änderungen CAD - drawing, no manual modifications allowed 1. Verwendung: First Use: Blatt: 1 von 1 Sheet: of 1

Teile-Nr./ part-nr.	Farbe:/ color:	Type
96.051.4553.1	schwarz, ähnl. RAL 9005/ black, similar to RAL 9005	RST2015S B1 ZR3 V SW
96.051.4553.0	lichtgrau, ähnl. RAL 7035/ lightgrey, similar to RAL 7035	RST2015S B1 ZR3 V GL

Werkstoff/Material	2005 Tag/Date	Name	Zeichnung Nr./Drawing No.	Index
Maßstab/Scale	12.12.	Kneitz		
Vol. mm <sup>3</sup> / OfI./Surf. mm <sup>2</sup>	gezeichnet drawn		T	96.051.4553.0 01K c
	geprüft checked			
	Normgepr. Stand. check		Maße in mm/Dimensions are in mm	
c 15.12.2014/	Ersatz für/Replacement for: -			
b 27.01.2011/	Type	Benennung/Title		
a 21.02.2006/	siehe Tabelle		BUCHSENTE IL MIT ZUGENTLASTUNG	
Index Datum / Blatt Date / Sheet	www.wieland-electric.com		female connector with cord grip Schraubanschluß ohne Drahtschutz/screw-connection without wire protection Standardkodierung 0/ standard-keying 0 [250V/400V/20A]	
Änderung/Revision				