



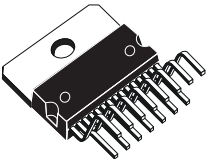
TDA7266S

5+5W DUAL BRIDGE AMPLIFIER

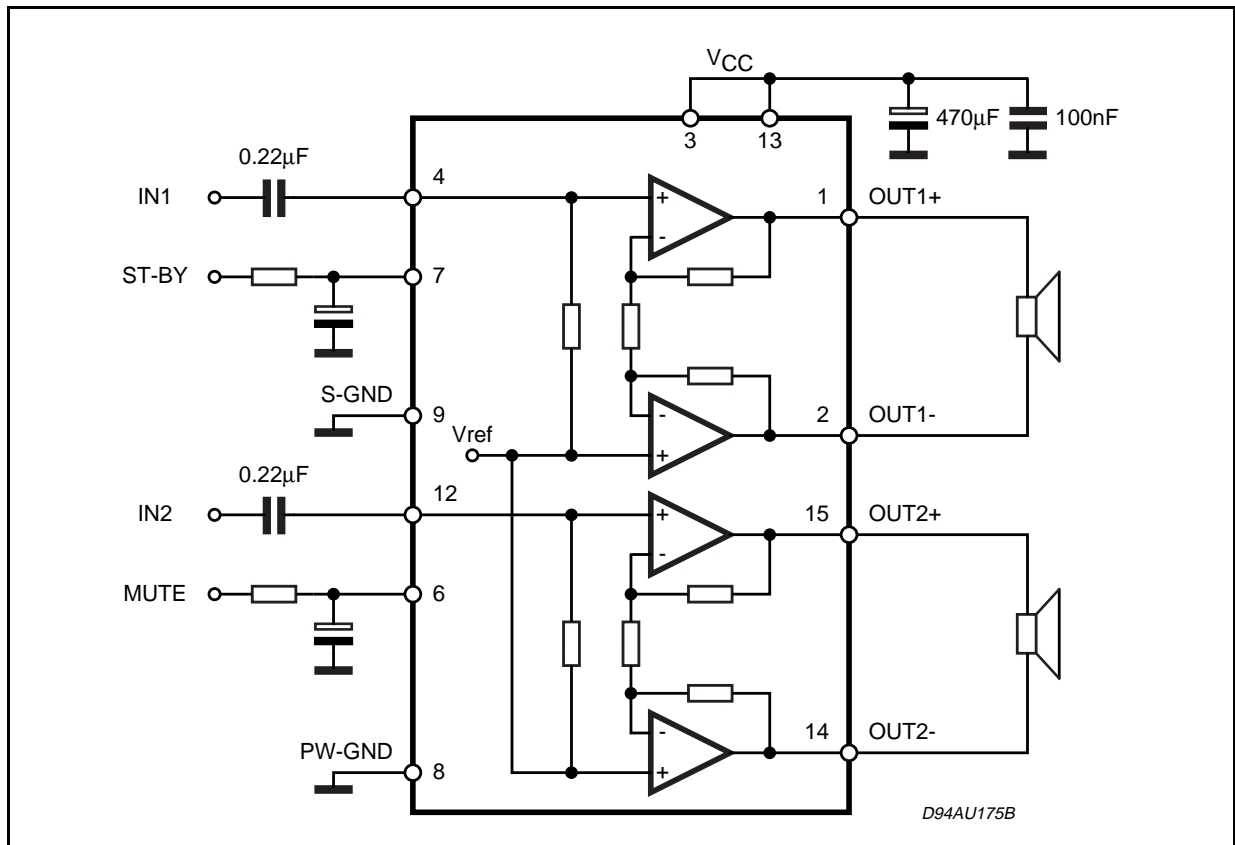
- WIDE SUPPLY VOLTAGE RANGE (3-18V)
- MINIMUM EXTERNAL COMPONENTS
 - NO SWR CAPACITOR
 - NO BOOTSTRAP
 - NO BOUCHEROT CELLS
 - INTERNALLY FIXED GAIN
- STAND-BY & MUTE FUNCTIONS
- SHORT CIRCUIT PROTECTION
- THERMAL OVERLOAD PROTECTION

DESCRIPTION

The TDA7266S is a dual bridge amplifier specially designed for TV and Portable Radio applications.

| |
|---|
| TECHNOLOGY B120II |
|  |
| Multiwatt 15 |
| ORDERING NUMBER: TDA7266S |

BLOCK AND APPLICATION DIAGRAM



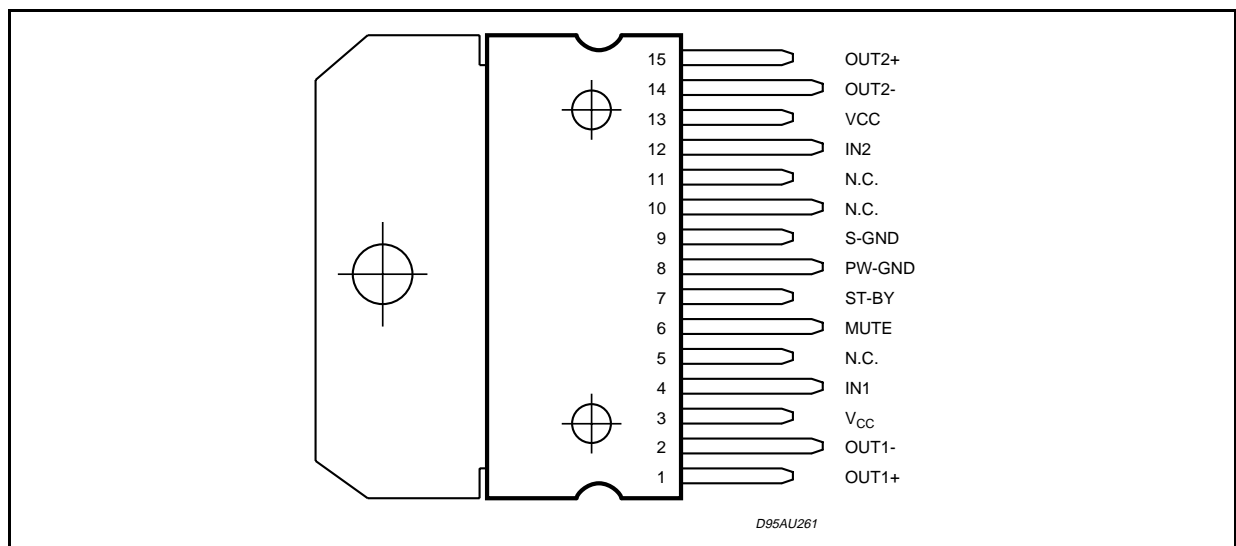
ABSOLUTE MAXIMUM RATINGS

| Symbol | Parameter | Value | Unit |
|-----------------------------------|--|-------------|------|
| V _S | Supply Voltage | 20 | V |
| I _O | Output Peak Current (internally limited) | 1.5 | A |
| P _{tot} | Total Power Dissipation (T _{case} = 70°C) | 25 | W |
| T _{op} | Operating Temperature | 0 to 70 | °C |
| T _{stg} , T _j | Storage and Junction Temperature | -40 to +150 | °C |

THERMAL DATA

| Symbol | Description | Value | Unit |
|------------------------|-------------------------------------|----------------------|------|
| R _{th j-case} | Thermal Resistance Junction to case | Typ. 1.6 Max. 2.2 | °C/W |

PIN CONNECTION (Top view)



ELECTRICAL CHARACTERISTICS (V_{CC} = 11V, R_L = 8Ω, f = 1kHz, T_{amb} = 25°C unless otherwise specified.)

| Symbol | Parameter | Test Condition | Min. | Typ. | Max. | Unit |
|---------------------|---------------------------|--|---------------------------------|------------------------------------|-----------------------------------|--------|
| V _{CC} | Supply Range | | 3 | 11 | 18 | V |
| I _q | Total Quiescent Current | | | 50 | 60 | mA |
| V _{OS} | Output Offset Voltage | | | | 120 | mV |
| P _O | Output Power | THD = 10% | 4.5 | 5 | | W |
| THD | Total Harmonic Distortion | P _O = 1W | | 0.05 | 0.2 | % |
| | | P _O = 0.1W to 2W f = 100Hz to 15kHz | | | 1 | % |
| SVR | Supply Voltage Rejection | f = 100Hz VR = 0.5V | 40 | 56 | | dB |
| CT | Crosstalk | | 46 | 60 | | dB |
| A _{MUTE} | Mute Attenuation | | 60 | 80 | | dB |
| T _W | Thermal Threshold | | | 150 | | °C |
| G _V | Closed Loop Voltage Gain | | 25 | 26 | 27 | dB |
| ΔG _V | Voltage Gain Matching | | | | 0.5 | dB |
| R _i | Input Resistance | | 25 | 30 | | KΩ |
| V _{T MUTE} | Mute Threshold | for V _{CC} > 6.4V; V _O = -30dB for V _{CC} < 6.4V; V _O = -30dB | 2.3 V _{CC} /2 -1 | 2.9 V _{CC} /2 -0.75 | 4.1 V _{CC} /2 -0.5 | V V |

ELECTRICAL CHARACTERISTICS (Continued)

| Symbol | Parameter | Test Condition | Min. | Typ. | Max. | Unit |
|-----------------|----------------------------|----------------------------------|------|------|------|---------|
| $V_{T_{ST-BY}}$ | St-by Threshold | | 0.8 | 1.3 | 1.8 | V |
| I_{ST-BY} | ST-BY current $V_6 = GND$ | | | | 100 | μA |
| e_N | Total Output Noise Voltage | A curve $f = 20Hz$ to $20kHz$ | | 150 | | μV |

APPLICATION SUGGESTION

STAND-BY AND MUTE FUNCTIONS

(A) Microprocessor Application

In order to avoid annoying "Pop-Noise" during Turn-On/Off transients, it is necessary to guarantee the right St-by and mute signals sequence. It is quite simple to obtain this function using a microprocessor (Fig. 1 and 2).

At first St-by signal (from μP) goes high and the voltage across the St-by terminal (Pin 7) starts to increase exponentially. The external RC network is intended to turn-on slowly the biasing circuits of

the amplifier, this to avoid "POP" and "CLICK" on the outputs.

When this voltage reaches the St-by threshold level, the amplifier is switched-on and the external capacitors in series to the input terminals (C3, C5) start to charge.

It's necessary to maintain the mute signal low until the capacitors are fully charged, this to avoid that the device goes in play mode causing a loud "Pop Noise" on the speakers.

A delay of 100-200ms between St-by and mute signals is suitable for a proper operation.

Figure 1: Microprocessor Application

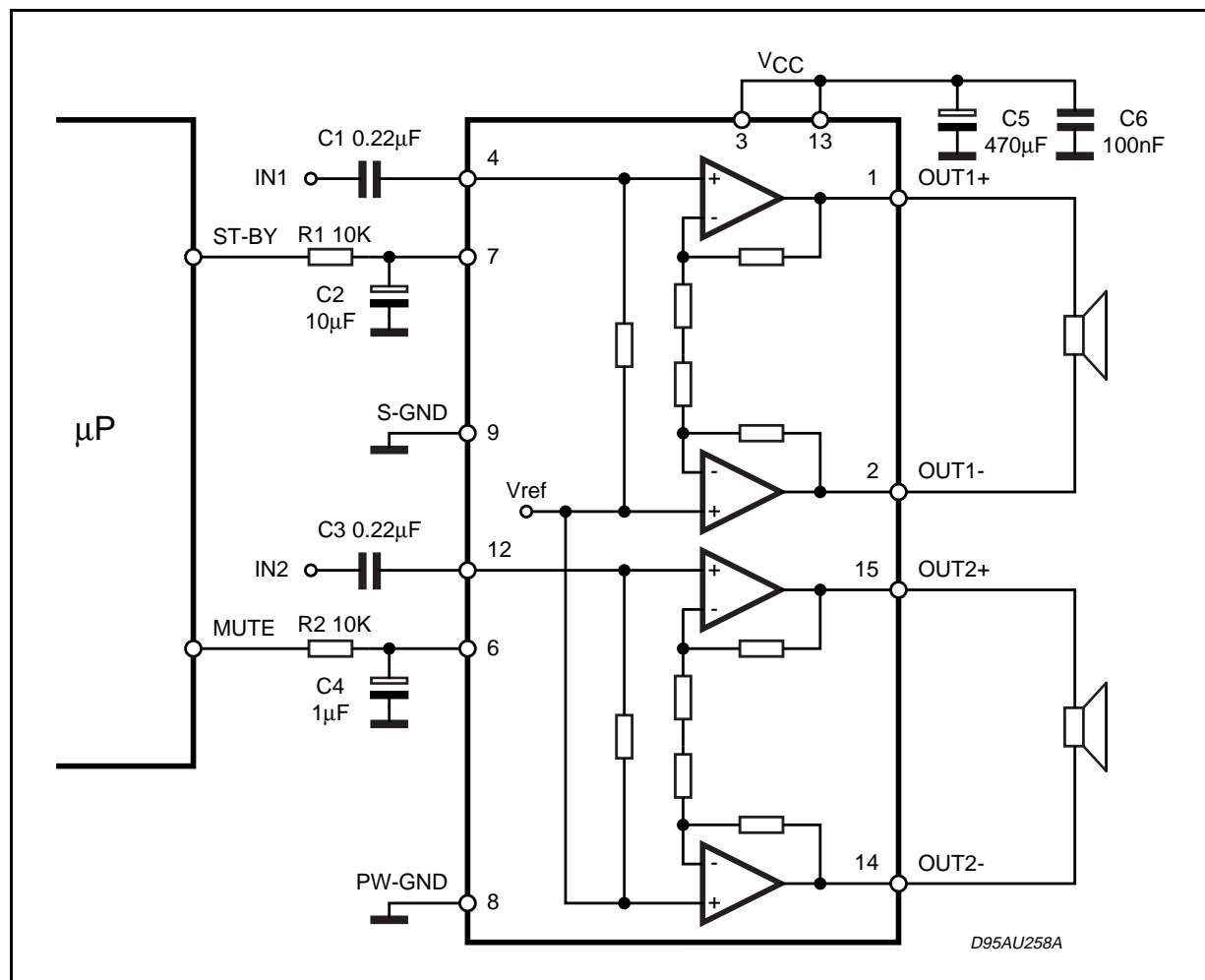
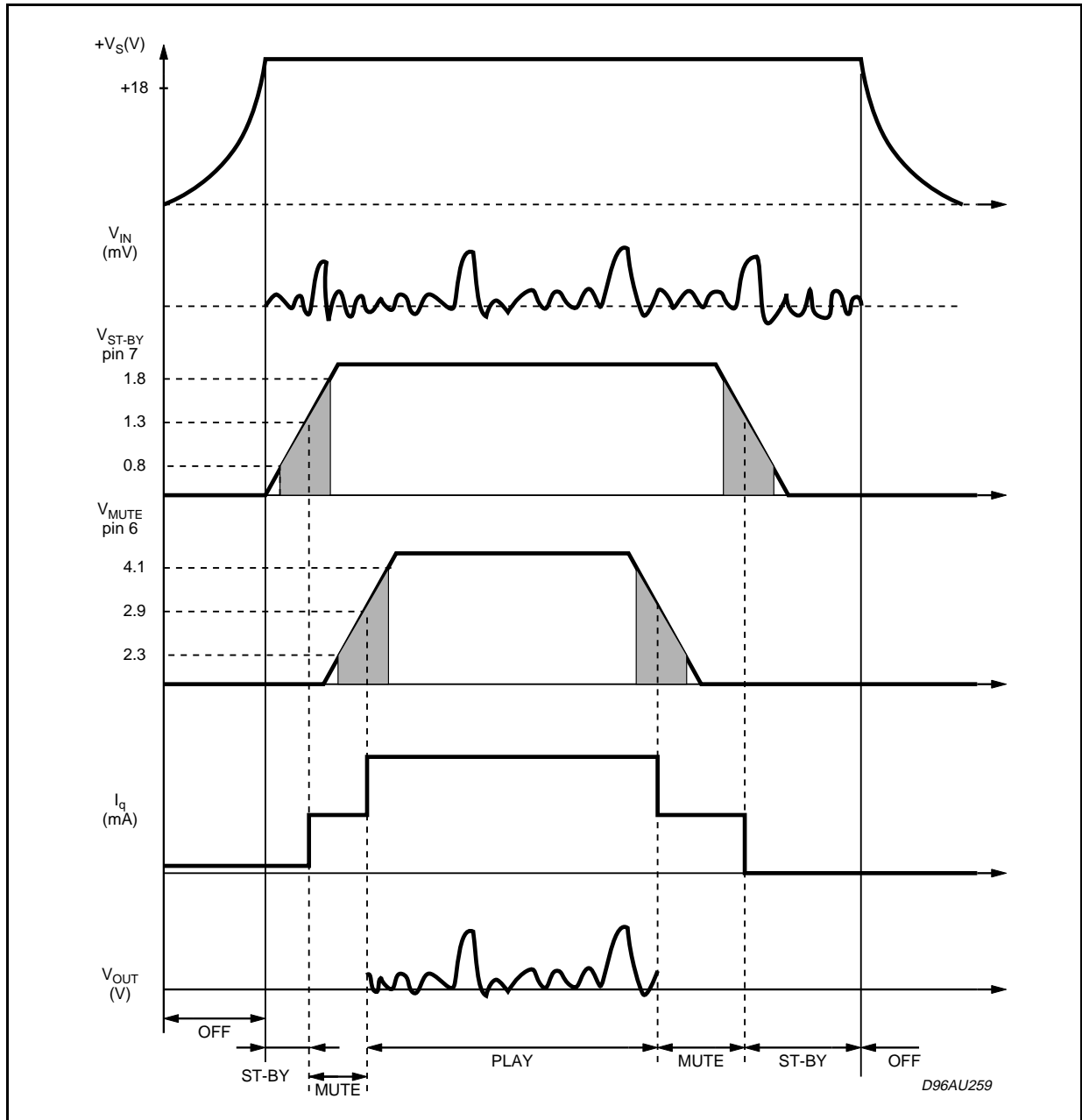


Figure 2: Microprocessor Driving Signals.



(B) Low Cost Application

In low cost applications where the mP is not present, the suggested circuit is shown in fig.3.

The St-by and mute terminals are tied together and they are connected to the supply line via an

external voltage divider.

The device is switched-on/off from the supply line and the external capacitor C4 is intended to delay the St-by and mute threshold exceeding, avoiding "Popping" problems.

Figure 3a: Stand-alone Low-cost Application.

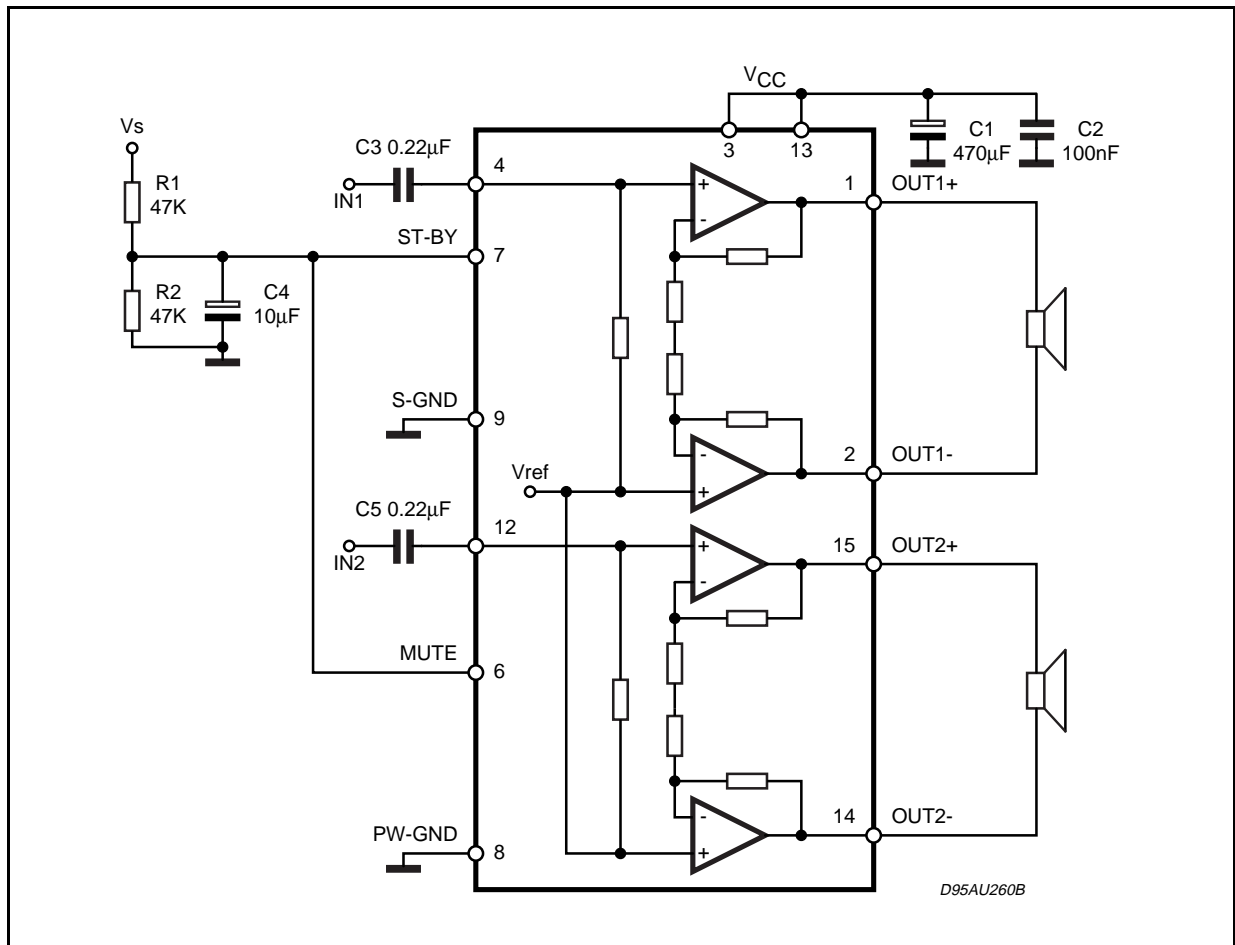


Figure 3b: PCB and Component Layout of the Application Circuit (Fig. 1).

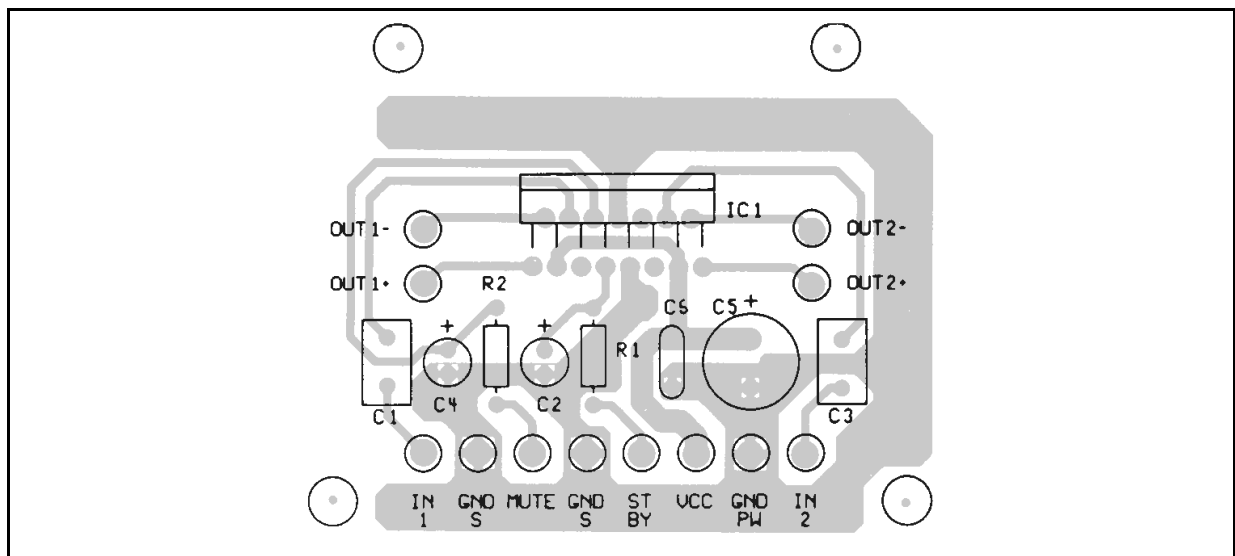


Figure 4: Distortion vs Frequency

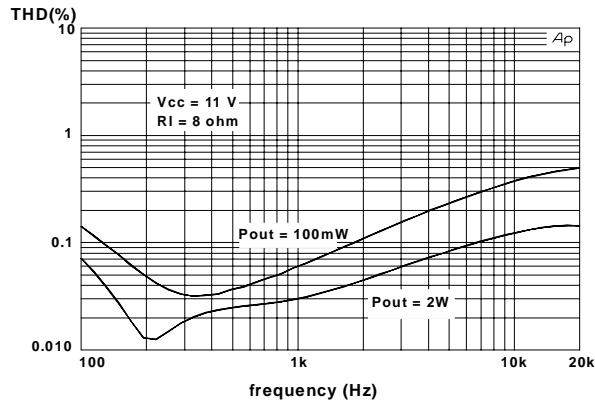


Figure 5: Gain vs Frequency

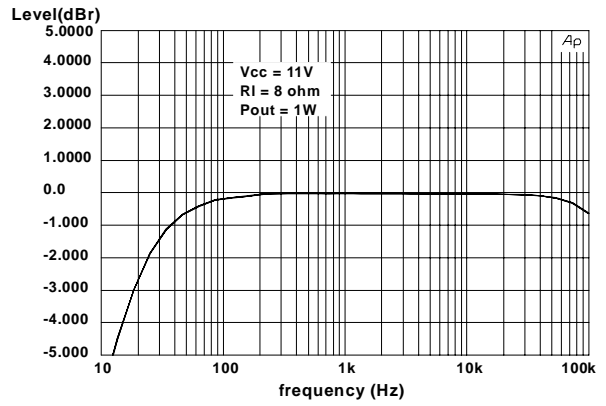


Figure 6: Mute Attenuation vs. V pin.6

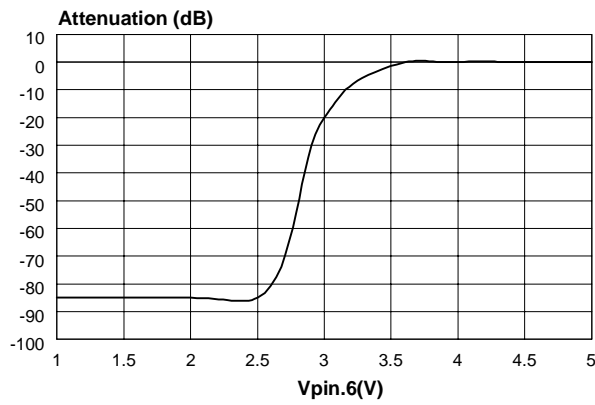


Figure 7: Stand-By Attenuation vs Vpin.7

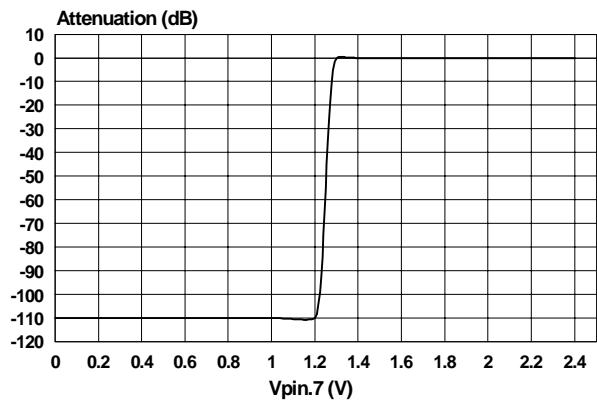
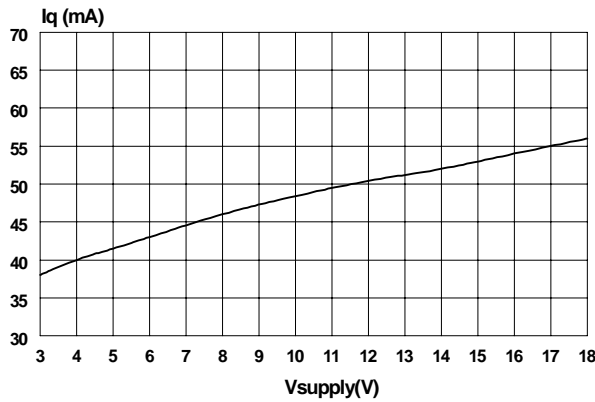
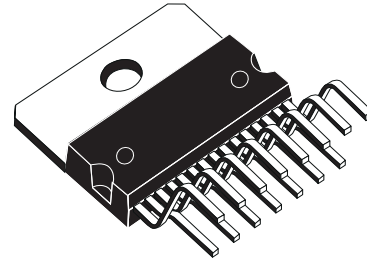


Figure 8: Quiescent Current vs. Supply Voltage

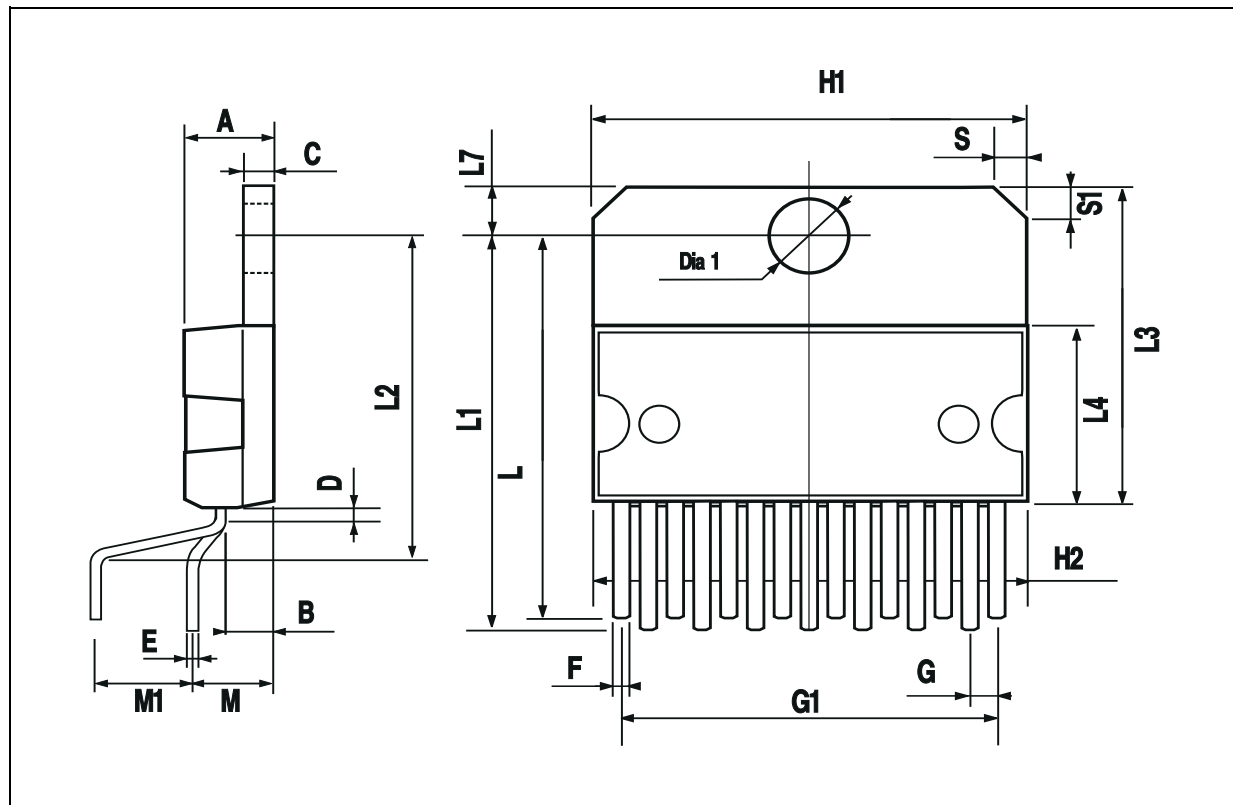


| DIM. | mm | | | inch | | |
|------|-------|-------|-------|-------|-------|-------|
| | MIN. | TYP. | MAX. | MIN. | TYP. | MAX. |
| A | | | 5 | | | 0.197 |
| B | | | 2.65 | | | 0.104 |
| C | | | 1.6 | | | 0.063 |
| D | | 1 | | | 0.039 | |
| E | 0.49 | | 0.55 | 0.019 | | 0.022 |
| F | 0.66 | | 0.75 | 0.026 | | 0.030 |
| G | 1.02 | 1.27 | 1.52 | 0.040 | 0.050 | 0.060 |
| G1 | 17.53 | 17.78 | 18.03 | 0.690 | 0.700 | 0.710 |
| H1 | 19.6 | | | 0.772 | | |
| H2 | | | 20.2 | | | 0.795 |
| L | 21.9 | 22.2 | 22.5 | 0.862 | 0.874 | 0.886 |
| L1 | 21.7 | 22.1 | 22.5 | 0.854 | 0.870 | 0.886 |
| L2 | 17.65 | | 18.1 | 0.695 | | 0.713 |
| L3 | 17.25 | 17.5 | 17.75 | 0.679 | 0.689 | 0.699 |
| L4 | 10.3 | 10.7 | 10.9 | 0.406 | 0.421 | 0.429 |
| L7 | 2.65 | | 2.9 | 0.104 | | 0.114 |
| M | 4.25 | 4.55 | 4.85 | 0.167 | 0.179 | 0.191 |
| M1 | 4.63 | 5.08 | 5.53 | 0.182 | 0.200 | 0.218 |
| S | 1.9 | | 2.6 | 0.075 | | 0.102 |
| S1 | 1.9 | | 2.6 | 0.075 | | 0.102 |
| Dia1 | 3.65 | | 3.85 | 0.144 | | 0.152 |

OUTLINE AND MECHANICAL DATA



Multiwatt15 V



Information furnished is believed to be accurate and reliable. However, STMicroelectronics assumes no responsibility for the consequences of use of such information nor for any infringement of patents or other rights of third parties which may result from its use. No license is granted by implication or otherwise under any patent or patent rights of STMicroelectronics. Specification mentioned in this publication are subject to change without notice. This publication supersedes and replaces all information previously supplied. STMicroelectronics products are not authorized for use as critical components in life support devices or systems without express written approval of STMicroelectronics.

The ST logo is a registered trademark of STMicroelectronics

© 2002 STMicroelectronics – Printed in Italy – All Rights Reserved

STMicroelectronics GROUP OF COMPANIES

Australia - Brazil - Canada - China - Finland - France - Germany - Hong Kong - India - Israel - Italy - Japan - Malaysia - Malta - Morocco - Singapore - Spain - Sweden - Switzerland - United Kingdom - United States.

<http://www.st.com>

This datasheet has been download from:

www.datasheetcatalog.com

Datasheets for electronics components.