

## Data sheet

Commercial Art.No.: Z7.415.1610.0

Housing D-Sub IT GUBL 5 0,5 4 AU

25 pole D-Sub connector, size 10, female



Commercial Art.No.	Z7.415.1610.0
EAN	4015573160064
Order Unit	10

## Technical data

### Classification

ECLASS 11	
ECLASS 8.1	27440202
ETIM 7.0	EC000437
ETIM 6.0	EC000437
ETIM 5.0	EC000437

### General

Housing material	aluminum
Surface	Gilt
Degree of protection (IP)	IP54
UV resistant	yes
Operating temperature range min.	-40 °C
Operating temperature range max.	100 °C

### Connection Data

Connection type	Soldering connection
Number of poles	25
With wire protection	No
Min. conductor diameter rigid (solid/stranded)	0.2 mm <sup>2</sup>
Max. conductor diameter rigid (solid/stranded)	0.5 mm <sup>2</sup>

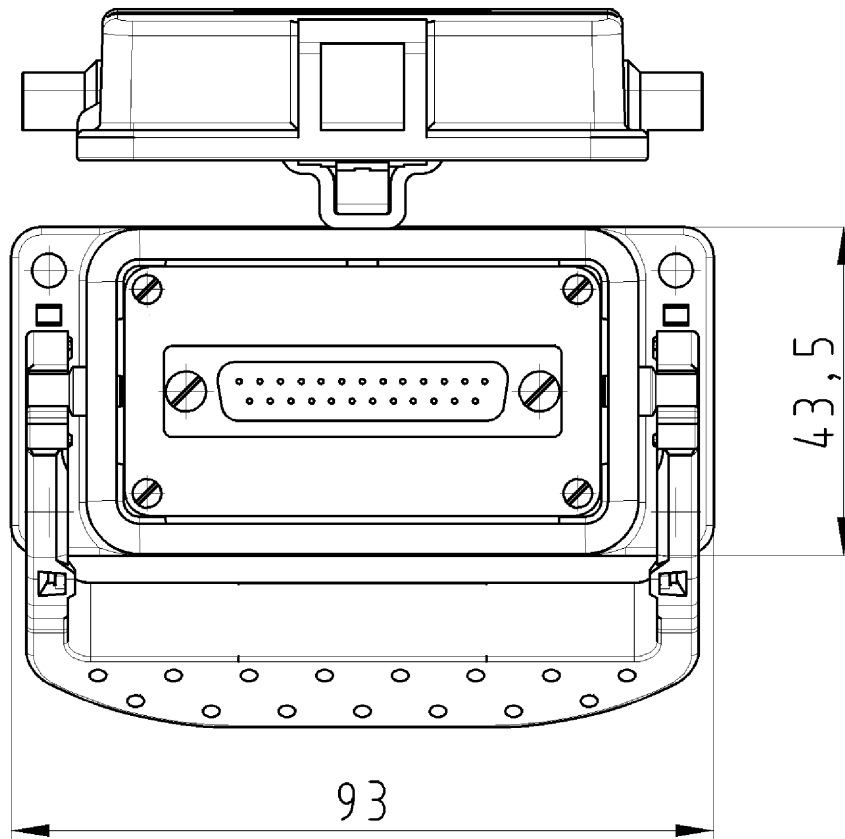
### Model

Locking mechanism	Single locking lever
Cable entry	None
With cable screw gland	No
Thread size PG	
Hinged lid	yes
Length	93 mm
Width	43 mm
Height	28 mm

### Product compliance

ROHS conformity status	Compliant/Exempted
ROHS exceptions	III-6(a)

REACH-SVHC conformity status	Duty-To-Declare
REACH-SVHC substances	Lead
REACH-SVHC CAS numbers	7439-92-1



Steckverbindung  
D-Sub GUT 10  
Z7.415.1610.0

Zeichnungsnummer  
Z7.415.1610.010W

19.11.2007  
Roppelt Dominik  
M 1:1