

## Data sheet

Commercial Art.No.: 92.932.5053.1

Connector GST18i3S S1 ZR2 SW

GST18i3 connector, 3 pole, male with screw connection (tall strain relief), coding mains 250 V, 20 A, coding color black, strain relief color black



Commercial Art.No.	92.932.5053.1
EAN	4049088276613
Order Unit	1

Certificates / Approvals



## Technical data

### General

Rated current	20 A
Rated voltage	250 V
Rated impulse voltage	4 kV
strain relief	yes
Pollution degree	2
Mechanical coding	Code 1
Lockable	self-locking (unlocking by tool)
Color of coding/ contact carrier	black
Marking of poles	L, N, PE
Color of housing inclusive strain relief	black

### Connection Data

Cable diameter max.	14.5 mm
Cable diameter min.	10.5 mm
Connection cross section solid mm <sup>2</sup> max.	4 mm <sup>2</sup>
Connection cross section solid mm <sup>2</sup> min.	0.75 mm <sup>2</sup>
Connection cross section fine stranded mm <sup>2</sup> max.	4 mm <sup>2</sup>
Connection cross section fine stranded mm <sup>2</sup> min.	0.75 mm <sup>2</sup>
Terminations per pole	1

### Model

Model	male
Connection type	screw connection
Degree of protection (IP)	IP20
Remark to type of connection	Fine stranded wires 4 mm <sup>2</sup> only without ferrules

### Material

Housing material	Polyamide
halogen free	yes
Contact material	CuZn
Fire load	0.112 kWh
Insulation components continuous temperature	100 °C
Surface finish	Tin-plated

#### Dimensions

Length	77.5 mm
Width	32 mm
Height	17 mm

#### Classification

ECLASS 11	
ECLASS 8.1	27440605
ETIM 7.0	EC002560
ETIM 6.0	EC002560
ETIM 5.0	EC002560
ETIM 4.0	EC002560

#### Product compliance

ROHS conformity status	Compliant/Exempted
ROHS exceptions	III-6(c)
REACH-SVHC conformity status	Duty-To-Declare
REACH-SVHC substances	Lead
REACH-SVHC CAS numbers	7439-92-1

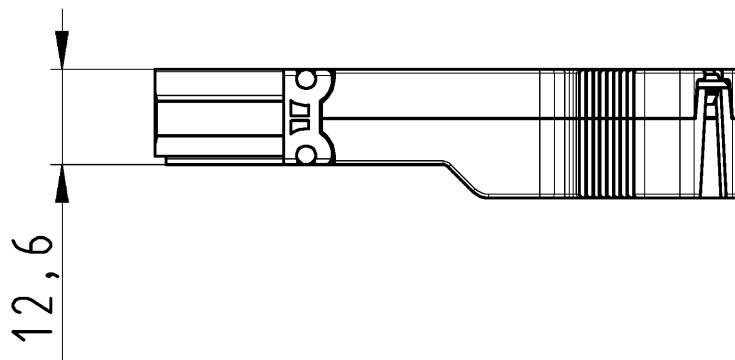
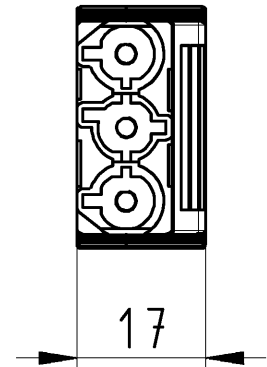
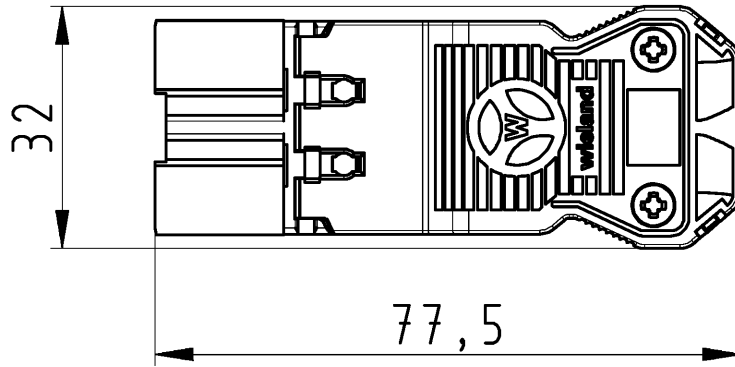
#### Accessories

Commercial Art.No.:	Article-type description:	Description:
05.587.3156.0	Lock (G)ST18 WS	Locking device for cable to cable connection GST18i3-5, white
06.561.7853.0	mounting frame GST18i3 SW	Mounting frame to snap in GST18i3 connectors into a housing or furniture. Wall thickness: 1,5-2,5 mm. Holds GST18i3 connectors with screw or spring connection and pre- assembled cables.
05.561.3653.0	cover cap GST18i3VS B WS	Cover piece for female GST18i3, white
05.561.3653.1	cover cap GST18i3VS B SW	Cover piece for female GST18i3, black
05.564.5353.0	cover cap GST18i3/4/5 SW	Cover piece 12 pole black for female parts GST18i3-6
05.564.5353.2	cover cap GST18i3/4/5 WS	Cover piece 12 pole white for female parts GST18i3-6
05.594.4250.0	cover cap ST18/3B + GST18i3 ST WS	
05.594.4253.0	cover cap ST18/3B + GST18i3 ST WS	
05.587.3156.1	Lock (G)ST18 SW	Locking device for cable to cable connection GST18i3-5, black

#### Fits with

Commercial Art.No.:	Article-type description:	Description:
92.931.5053.1	Connector GST18i3S B1 ZR2 SW	GST18i3 connector, 3 pole, female with screw connection (tall strain relief), coding mains 250 V, 20 A, coding color black, strain relief color black
92.031.3258.1	Device connector GST18i3S B1 SW	GST18i3 built-in component, 3 pole, female with screw connection, coding mains 250 V, 20 A, coding color black

92.031.0058.1	Device connector GST18i3L B1V SW	GST18i3 PCB mount with additional mounting option, 3 pole, female (vertical), coding mains 250 V, 20 A, coding color black
92.232.1007.1	Cable assembly GST18i3K1BD 15 10SW	GST18i3 mains-extension cable female - Schuko®, length 1.0 m, 3 pole, coding mains 250 V, 16 A, coding color black, strain relief color black, cable color black, cross section 1.5 mm <sup>2</sup> , cable type H05VV-F, fire class: Eca
92.232.1000.1	Cable assembly GST18i3K1BS 15 10SW	GST18i3 connection cable female - male, length 1.0 m, 3 pole, coding mains 250 V, 16 A, coding color black, strain relief color black, cable color black, cross section 1.5 mm <sup>2</sup> , cable type H05VV-F, fire class: Eca
92.232.1003.1	Cable assembly GST18i3K1B- 15 10SW	GST18i3 extension cable female - free end, length 1.0 m, 3 pole, coding mains 250 V, 16 A, coding color black, strain relief color black, cable color black, cross section 1.5 mm <sup>2</sup> , cable type H05VV-F, fire class: Eca
92.232.1004.1	Cable assembly GST18i3K1-S 15 10SW	GST18i3 extension cable male - free end, length 1.0 m, 3 pole, coding mains 250 V, 16 A, coding color black, strain relief color black, cable color black, cross section 1.5 mm <sup>2</sup> , cable type H05VV-F, fire class: Eca



Weitergabe sowie Vervielfältigung dieses Dokuments, Verwertung und Mitteilung seines Inhalts sind verboten, soweit nicht ausdrücklich gestattet. Die reproduction, distribution and utilization of this document as well as the communication of its contents to others without express authorization is prohibited.

Steckerteil mit Zugentlastung  
 92.932.5053.0 10W  
 -----  
 23.01.14 RIK  
 M1:1  
 Index "a" 16.12.14 RIK