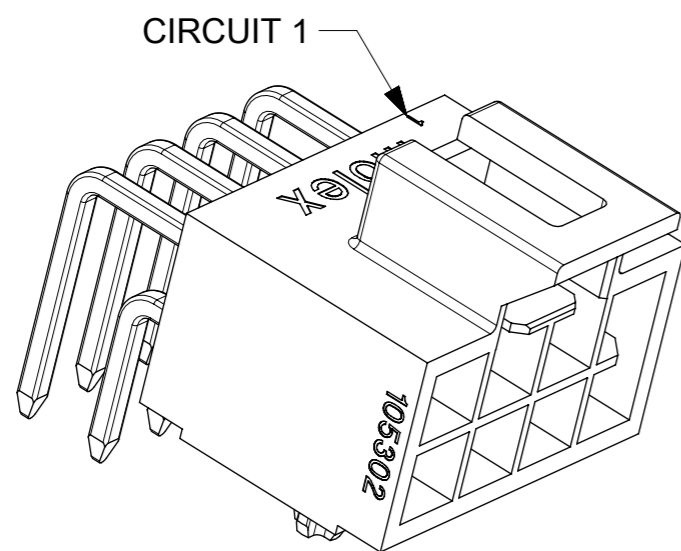
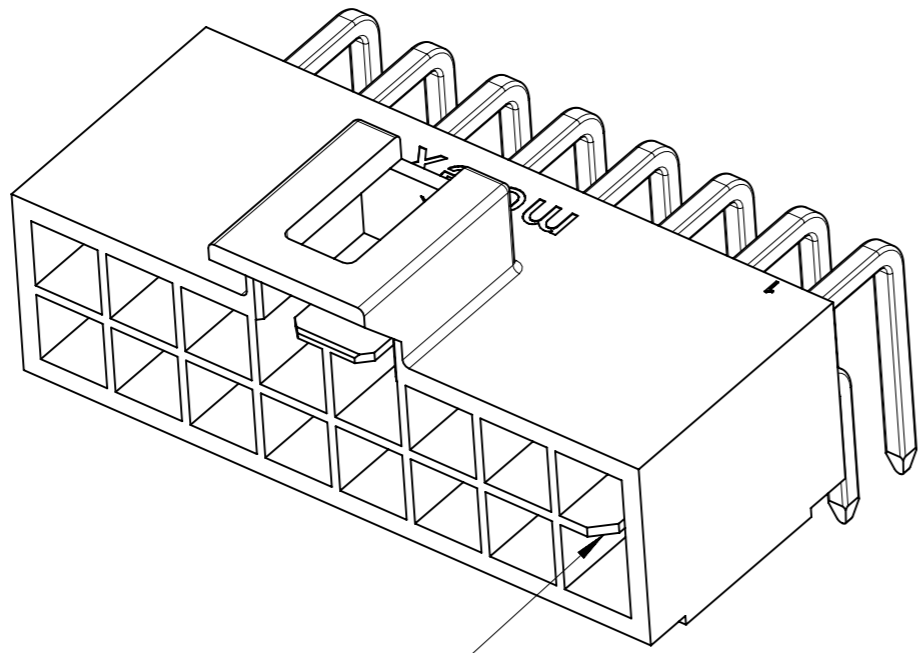


RECOMMENDED PCB(CONNECTOR SIDE VIEW) THICKNESS=1.6 TO 2.4 MM.

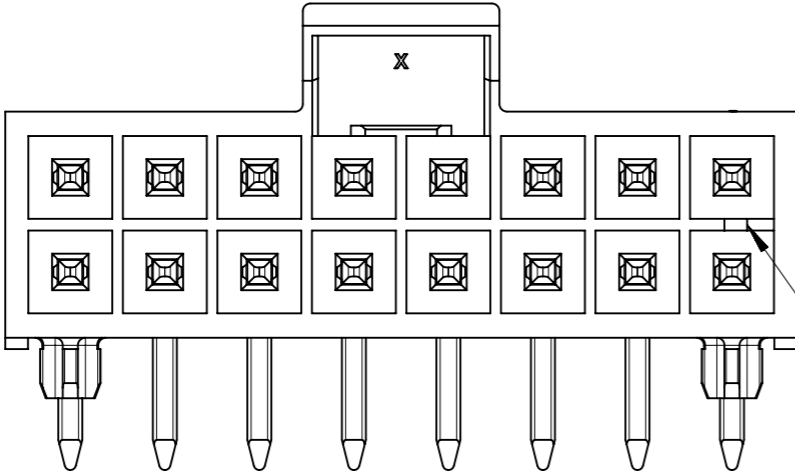


OPTION 1: LATCH FLUSH WITH PCB EDGE.
OPTION 2: HOUSING BODY FLUSH WITH PCB EDGE.

THIS DRAWING CONTAINS INFORMATION THAT IS PROPRIETARY TO MOLEX ELECTRONIC TECHNOLOGIES, LLC AND SHOULD NOT BE USED WITHOUT WRITTEN PERMISSION										
QUALITY SYMBOLS ▽ = 0 ▽ = 0 ▽ = 0 ▼ = 0 ▽ = 0 ⊗ = 0 ■ = 0 ▽ = 0	2020/09/09	GENERAL TOLERANCES (UNLESS SPECIFIED)		DIMENSION UNITS		SCALE				
	2020/09/10	ANGULAR TOL ± 3.0 °		mm						
	2020/09/10	4 PLACES	±	DRWN BY		DATE		HEADER OF NANO-FIT, D/R, R/A POWER CONNECTOR		
		3 PLACES	± 0.1	GLLI		2015/06/05				
		2 PLACES	± 0.2	CHK'D BY		DATE		PRODUCT CUSTOMER DRAWING		
		1 PLACE	± 0.3	APPR BY		DATE				
		0 PLACES	±	AYIN		2016/04/27		SERIES: 105314 MATERIAL NUMBER: SEE SHEET 2 CUSTOMER: GENERAL MARKET		
	DRAFT WHERE APPLICABLE MUST REMAIN WITHIN DIMENSIONS		DRAWING SIZE		THIRD ANGLE PROJECTION		DOCUMENT NUMBER: SD-105314-100 DOC TYPE: PSD DOC PART: 000 SHEET NUMBER: 1 OF 5			
	H		A3							
	EC NO: 644963		DRWN: GLLI		CHK'D: YXZHENG		APPR: YXZHENG			

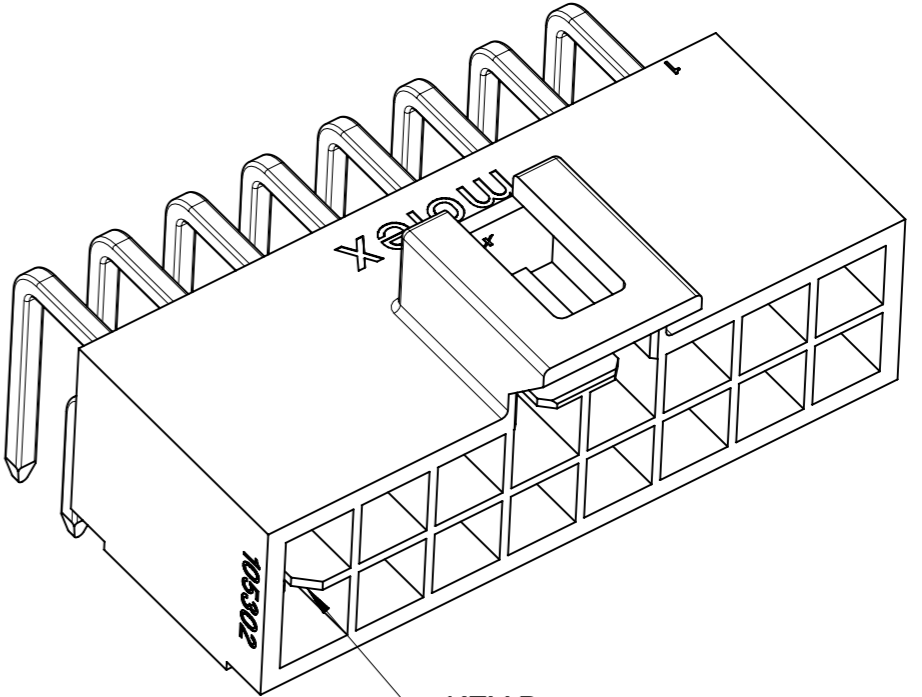


KEY A

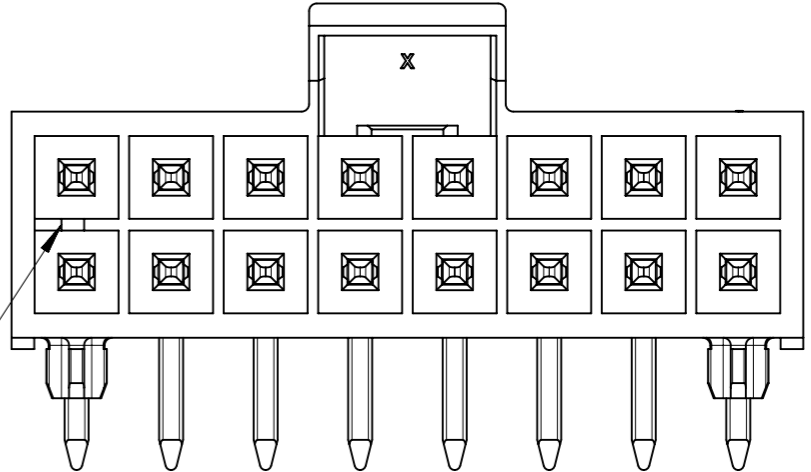


KEY A

BLACK



KEY B

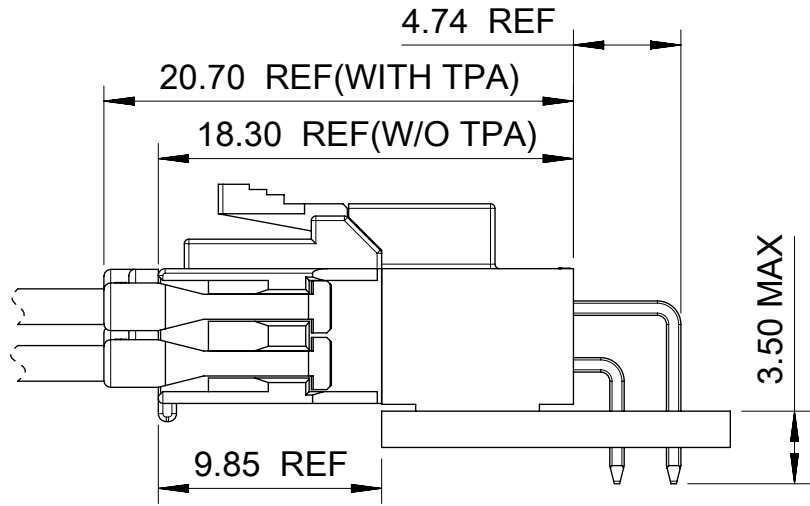


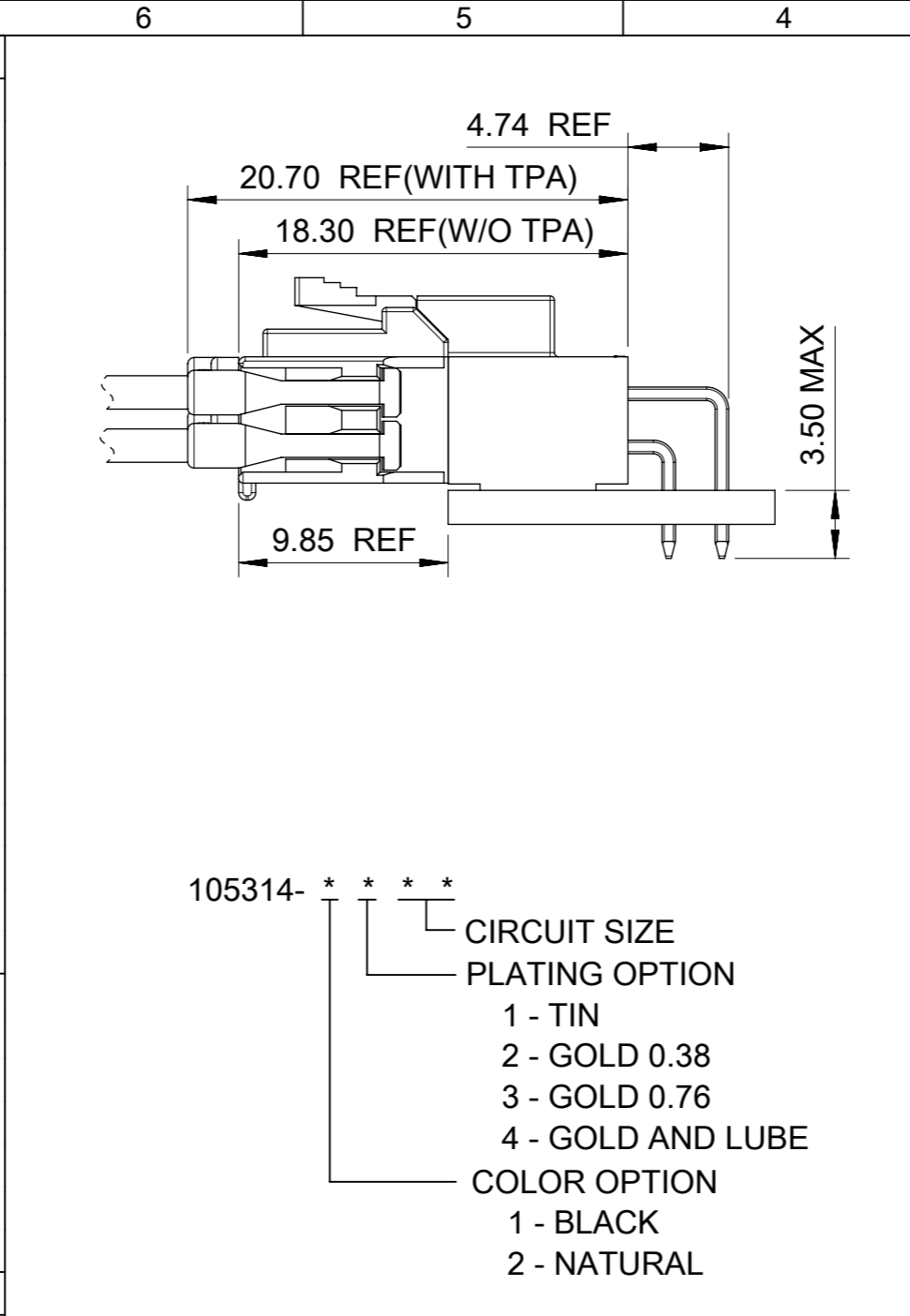
KEY B

NATURAL

COLOR OPTION

THIS DRAWING CONTAINS INFORMATION THAT IS PROPRIETARY TO MOLEX ELECTRONIC TECHNOLOGIES, LLC AND SHOULD NOT BE USED WITHOUT WRITTEN PERMISSION											
SYMBOLS		DIMENSION UNITS		SCALE		CURRENT REV DESC:				molex	
▽ = 0		mm				EC NO: 644963					
▽ = 0		GENERAL TOLERANCES (UNLESS SPECIFIED)				DRWN: GLLI 2020/09/09				PRODUCT CUSTOMER DRAWING	
▽ = 0		ANGULAR TOL ± 3.0°				CHK'D: YXZHENG 2020/09/10					
▽ = 0		4 PLACES ±				APPR: YXZHENG 2020/09/10				DOCUMENT NUMBER SD-105314-100	
▽ = 0		3 PLACES ± 0.1				INITIAL REVISION:					
▽ = 0		2 PLACES ± 0.2				DRWN: GLLI 2015/06/05				DOC PART 000	
▽ = 0		1 PLACE ± 0.3				APPR: AYIN 2016/04/27				REVISION H	
▽ = 0		0 PLACES ±				THIRD ANGLE PROJECTION		DRAWING		SERIES	
▽ = 0		DRAFT WHERE APPLICABLE MUST REMAIN WITHIN DIMENSIONS				A3-SIZE		105314		MATERIAL NUMBER	
▽ = 0						GENERAL MARKET		CUSTOMER		SHEET NUMBER 2 OF 5	

9		8		7		6		5		4		3		2		1																				
PART NUMBER	DIM 'A'	DIM 'B'	DIM 'C'	CKT SIZE	PLATING	LUBE																														
105314-1104	5.94	2.50	3.14	4	TIN																															
105314-1106	8.44	5.00	5.64	6																																
105314-1108	10.94	7.50	8.14	8																																
105314-1110	13.44	10.00	10.64	10																																
105314-1112	15.94	12.50	13.14	12																																
105314-1114	18.44	15.00	15.64	14																																
105314-1116	20.94	17.50	18.14	16																																
105314-1204	5.94	2.50	3.14	4	GOLD 0.38	NO											<p>105314- * * * *</p> <p>CIRCUIT SIZE PLATING OPTION 1 - TIN 2 - GOLD 0.38 3 - GOLD 0.76 4 - GOLD AND LUBE</p> <p>COLOR OPTION 1 - BLACK 2 - NATURAL</p>																			
105314-1206	8.44	5.00	5.64	6																																
105314-1208	10.94	7.50	8.14	8																																
105314-1210	13.44	10.00	10.64	10																																
105314-1212	15.94	12.50	13.14	12																																
105314-1214	18.44	15.00	15.64	14																																
105314-1216	20.94	17.50	18.14	16																																
105314-1304	5.94	2.50	3.14	4	GOLD 0.76																						<p>COLOR: BLACK</p>									
105314-1306	8.44	5.00	5.64	6																																
105314-1308	10.94	7.50	8.14	8																																
105314-1310	13.44	10.00	10.64	10																																
105314-1312	15.94	12.50	13.14	12																																
105314-1314	18.44	15.00	15.64	14																																
105314-1316	20.94	17.50	18.14	16																																
105314-1404	5.94	2.50	3.14	4	GOLD 0.76	YES	<p>COLOR: NATURAL</p>																													
105314-1406	8.44	5.00	5.64	6																																
105314-1408	10.94	7.50	8.14	8																																
105314-1410	13.44	10.00	10.64	10																																
105314-1412	15.94	12.50	13.14	12																																
105314-1414	18.44	15.00	15.64	14																																
105314-1416	20.94	17.50	18.14	16																																



9		8		7		6		5		4		3		2		1																				
PART NUMBER	DIM 'A'	DIM 'B'	DIM 'C'	CKT SIZE	PLATING	LUBE																														
105314-2104	5.94	2.50	3.14	4	TIN		<p>CIRCUIT SIZE PLATING OPTION 1 - TIN 2 - GOLD 0.38 3 - GOLD 0.76 4 - GOLD AND LUBE</p> <p>COLOR OPTION 1 - BLACK 2 - NATURAL</p>																													
105314-2106	8.44	5.00	5.64	6																																
105314-2108	10.94	7.50	8.14	8																																
105314-2110	13.44	10.00	10.64	10																																
105314-2112	15.94	12.50	13.14	12																																
105314-2114	18.44	15.00	15.64	14																																
105314-2116	20.94	17.50	18.14	16																																
105314-2204	5.94	2.50	3.14	4	GOLD 0.38	NO											<p>COLOR: NATURAL</p>																			
105314-2206	8.44	5.00	5.64	6																																
105314-2208	10.94	7.50	8.14	8																																
105314-2210	13.44	10.00	10.64	10																																
105314-2212	15.94	12.50	13.14	12																																
105314-2214	18.44	15.00	15.64	14																																
105314-2216	20.94	17.50	18.14	16																																
105314-2304	5.94	2.50	3.14	4	GOLD 0.76																						<p>COLOR: NATURAL</p>									
105314-2306	8.44	5.00	5.64	6																																
105314-2308	10.94	7.50	8.14	8																																
105314-2310	13.44	10.00	10.64	10																																
105314-2312	15.94	12.50	13.14	12																																
105314-2314	18.44	15.00	15.64	14																																
105314-2316	20.94	17.50	18.14	16																																
105314-2404	5.94	2.50	3.14	4	GOLD 0.76	YES	<p>COLOR: NATURAL</p>																													
105314-2406	8.44	5.00	5.64	6																																
105314-2408	10.94	7.50	8.14	8																																
105314-2410	13.44	10.00	10.64	10																																
105314-2412	15.94	12.50	13.14	12																																
105314-2414	18.44	15.00	15.64	14																																
105314-2416	20.94	17.50	18.14	16																																

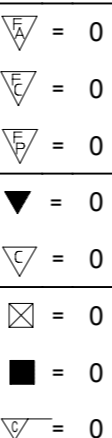

105314- * * * *

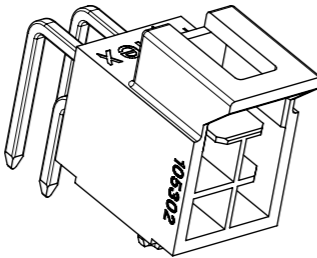
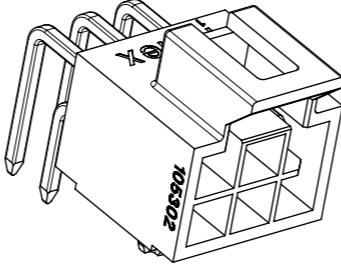
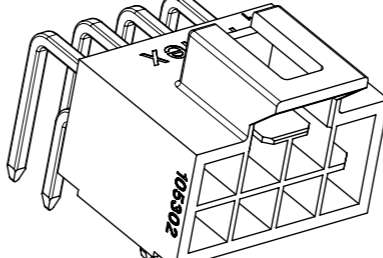
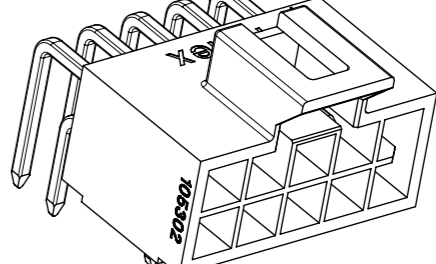
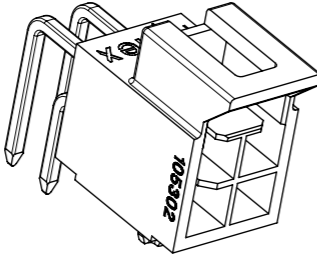
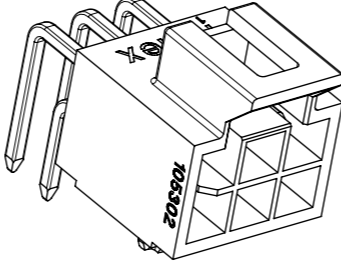
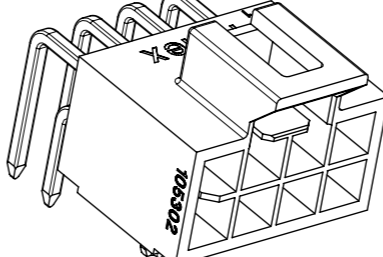
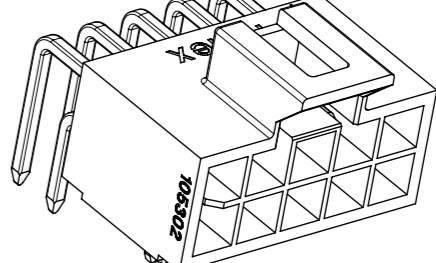
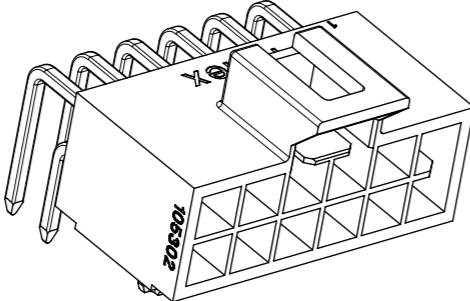
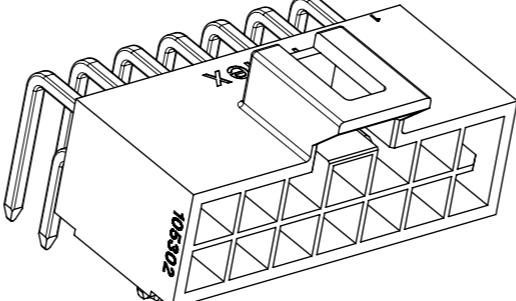
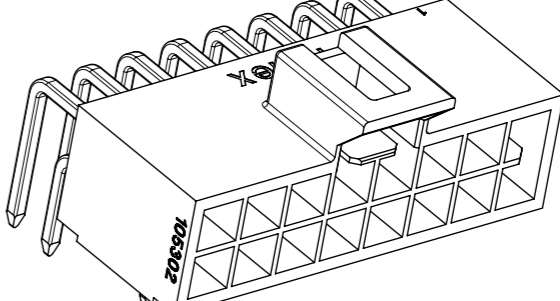
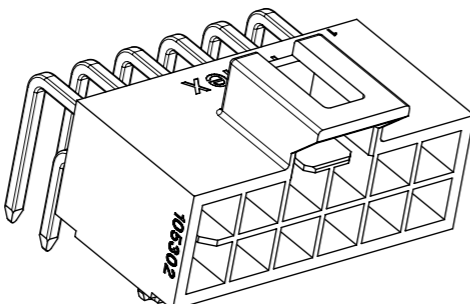
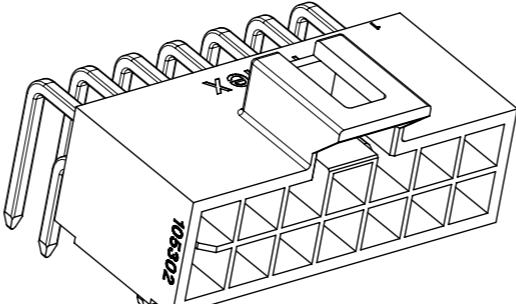
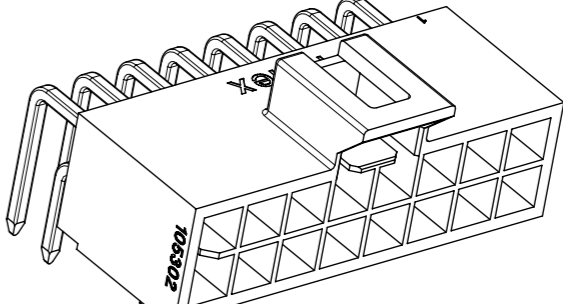
CIRCUIT SIZE
PLATING OPTION
1 - TIN
2 - GOLD 0.38
3 - GOLD 0.76
4 - GOLD AND LUBE



COLOR OPTION
1 - BLACK
2 - NATURAL

COLOR: BLACK

COLOR: NATURAL

QUALITY SYMBOLS 	THIS DRAWING CONTAINS INFORMATION THAT IS PROPRIETARY TO MOLEX ELECTRONIC TECHNOLOGIES, LLC AND SHOULD NOT BE USED WITHOUT WRITTEN PERMISSION										
	EC NO: 644963 DRWN: GLLI CHK'D: YXZHENG APPR: YXZHENG	2020/09/09 2020/09/10 2020/09/10		GENERAL TOLERANCES (UNLESS SPECIFIED) ANGULAR TOL ± 3.0 °		DIMENSION UNITS: mm SCALE:		 HEADER OF NANO-FIT, D/R, R/A POWER CONNECTOR			
		4 PLACES ±		DRWN BY: GLLI DATE: 2015/06/05		APPR BY: AYIN DATE: 2016/04/27					
		3 PLACES ± 0.1		2 PLACES ± 0.2		1 PLACE ± 0.3		0 PLACES ±		DRAFT WHERE APPLICABLE MUST REMAIN WITHIN DIMENSIONS	
H		A3		THIRD ANGLE PROJECTION		SERIES: 105314 MATERIAL NUMBER: SEE CHART		CUSTOMER: GENERAL MARKET			
RELEASE STATUS: P1 RELEASE DATE: 2020/09/10 08:56:04		DOCUMENT NUMBER: SD-105314-100		DOC TYPE: PSD		DOC PART: 000		SHEET NUMBER: 3 OF 5			

		4 CKT	6 CKT	8 CKT	10 CKT
E	BLACK				
D	NATURAL				
		12 CKT	14 CKT	16 CKT	
C	BLACK				
B	NATURAL				

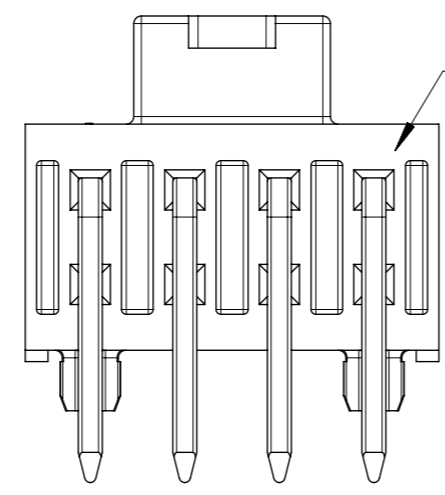
THIS DRAWING CONTAINS INFORMATION THAT IS PROPRIETARY TO MOLEX ELECTRONIC TECHNOLOGIES, LLC AND SHOULD NOT BE USED WITHOUT WRITTEN PERMISSION													
QUALITY SYMBOLS		2020/09/09 2020/09/10 2020/09/10			GENERAL TOLERANCES (UNLESS SPECIFIED)			DIMENSION UNITS		SCALE			
▽	= 0	EC NO: 644963 DRWN: GLLI CHK'D: YXZHENG APPR: YXZHENG			ANGULAR TOL ± 3.0 °			mm					
▽	= 0				4 PLACES ±			DRWN BY		DATE			
▽	= 0				3 PLACES ± 0.1			GLLI		2015/06/05			
▼	= 0				2 PLACES ± 0.2			CHK'D BY		DATE		HEADER OF NANO-FIT, D/R, R/A POWER CONNECTOR	
▽	= 0				1 PLACE ± 0.3			APPR BY		DATE		PRODUCT CUSTOMER DRAWING	
⊗	= 0				0 PLACES ±			AYIN		2016/04/27		SERIES	
■	= 0	DRAFT WHERE APPLICABLE MUST REMAIN WITHIN DIMENSIONS			DRAWING SIZE		THIRD ANGLE PROJECTION		MATERIAL NUMBER				
▽	= 0				A3				CUSTOMER				
H		REV		GENERAL MARKET		105314		SEE SHEET 2		GENERAL MARKET			
RELEASE STATUS				P1		RELEASE DATE		2020/09/10		08:56:04			
SD-105314-100		PSD		000		4 OF 5							

NOTES FOR ALL PARTS

1> MATERIAL:
 HOUSING: LCP, UL 94V-0.
 TERMINAL: BRASS.
 SOLDER CLIP: BRASS.

2> PLATING FINISHED:
 TERMINAL:
 CONTACT AREA: a. REFLOWED MATTE TIN 1.5MICRONS MIN;
 b. GOLD 0.38 MICRONS MIN;
 c. GOLD 0.76 MICRONS MIN.
 SOLDER AREA: TIN 1.5 MICRONS MIN, UNDER PLATING NICKEL 1.25 MICRONS MIN.
 SOLDER CLIP: TIN 2.5 MICRONS MIN, UNDER PLATING NICKEL 1.25 MICRONS MIN.

3> PRODUCT SPECIFICATION: PS-105300-100.
 4> PACKAGE: TRAY, PK-105309-200.
 5> ALL COMPONENTS AND PRODUCT COMPLIANT TO RoHS DIRECTIVE 2011/65/EU AND ELV DIRECTIVE 2000/53/EC.
 6> PRODUCT MATE WITH SERIES OF 105308(RECEPTACLE), 105300(CRIMP TERMINAL).
 7> PARTS CONFORM TO CLASS 'B'REQUIREMENTS OF COSMETIC SPECIFICATION PS-45499-002.
 8> DISCOLORATION IN THE BANDOLIER PIN CARRIER AREA OF THE PIN IS INHERENT TO THE PLATING PROCESS AND IS DUE TO THE MASKING DEFECT OF THE CARRIER, THIS DISCOLORATION IS IN A NON-FUNCTION AREA OF THE PIN AND WILL NOT AFFECT THE PERFORMANCE OF THE HEADER ASSEMBLY.



IF ANY NUMBER MARK APPEARS ON THIS SURFACE, PLEASE DISREGARD IT, IT IS NO ANY FUCTION AND NO ANY RELATION TO PIN NUMBER, IT IS JUST FOR MOLDING IDENTIFICATION.

QUALITY SYMBOLS ▽ = 0 ▽ = 0 ▽ = 0 ▼ = 0 ▽ = 0 ⊗ = 0 ■ = 0 ▽ = 0	THIS DRAWING CONTAINS INFORMATION THAT IS PROPRIETARY TO MOLEX ELECTRONIC TECHNOLOGIES, LLC AND SHOULD NOT BE USED WITHOUT WRITTEN PERMISSION												
	EC NO: 644963 DRWN: GLLI CHK'D: YXZHENG APPR: YXZHENG	2020/09/09		2020/09/10		2020/09/10		GENERAL TOLERANCES (UNLESS SPECIFIED)		DIMENSION UNITS		SCALE	
		mm				DRWN BY		DATE		GLLI		2015/06/05	
		ANGULAR TOL ± 3.0 °		4 PLACES ±		3 PLACES ± 0.1		2 PLACES ± 0.2		1 PLACE ± 0.3		0 PLACES ±	
		DRAFT WHERE APPLICABLE MUST REMAIN WITHIN DIMENSIONS		A3		THIRD ANGLE PROJECTION		AYIN		2016/04/27		PRODUCT CUSTOMER DRAWING	
		SERIES		MATERIAL NUMBER		CUSTOMER		DRAWING SIZE		THIRD ANGLE PROJECTION		GENERAL MARKET	
	105314		SEE SHEET 2		GENERAL MARKET		A3		THIRD ANGLE PROJECTION		GENERAL MARKET		
	DOCUMENT NUMBER		DOC TYPE		DOC PART		SHEET NUMBER		SD-105314-100		PSD 000 5 OF 5		
	RELEASE STATUS		P1		RELEASE DATE		2020/09/10 08:56:04						