

TRIL

MAIN FEATURES

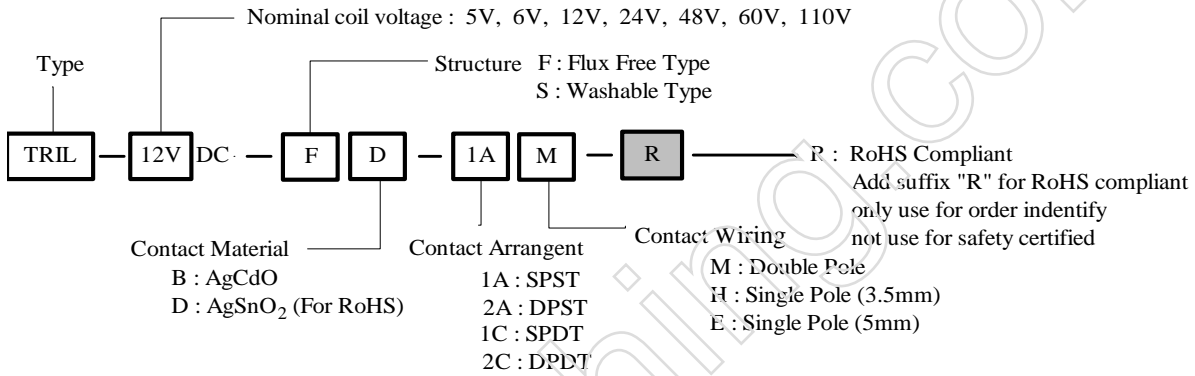
- 16A switching capabilities.
- 1 & 2 pole configurations.
- 5KV/10mm dielectric coil to contacts.
- Low height of 15.7mm.
- Sealed & Unsealed types available.
- UL & cUL recognized.

APPLICATIONS

- Microwave Oven; Facsimile; Refrigerator, Air Conditioner, Stereo Equipment; Copiers, TV Set, Monitor, Vending Machine, Temperature Controller, etc.



ORDERING INFORMATION



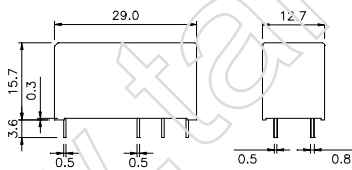
DIMENSION (unit:mm)

DRILLING (unit:mm)

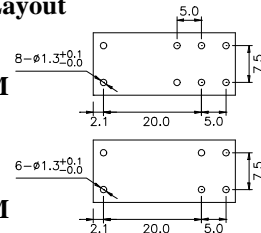
WIRING DIAGRAM

PC Board Layout

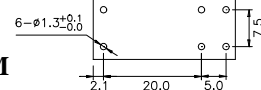
5mm 2 Pole



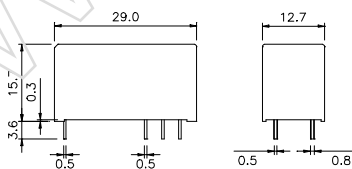
TRIL-2CM



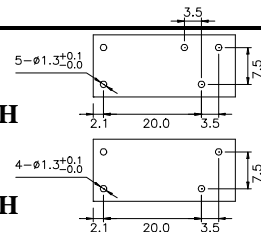
TRIL-2AM



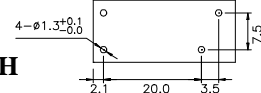
3.5mm 1 Pole



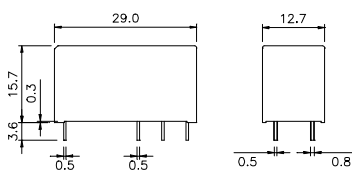
TRIL-1CH



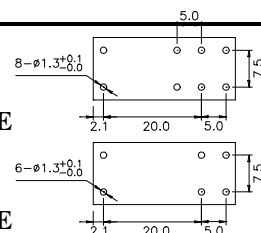
TRIL-1AH



5mm 1 Pole



TRIL-1CE



TRIL-1AE



COIL DATA CHART (AT20°C)

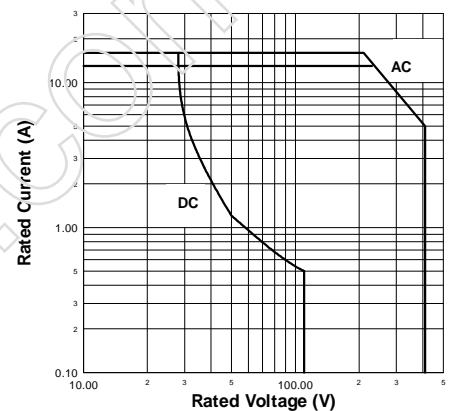
| Coil Sensitivity | Coil Voltage Code | Nominal Voltage (VDC) | Nominal Current (mA) | Coil Resistance (Ω) \pm 10% | Power Consumption (W) | Pull-In Voltage (VDC) | Drop-Out Voltage (VDC) | Max-Allowable Voltage (VDC) |
|------------------|-------------------|-----------------------|----------------------|----------------------------------------|-----------------------|-----------------------|------------------------|-----------------------------|
| TRIL | 005 | 5 | 80.6 | 62 | abt. 0.4W | 70% Max. | 10% Min. | 110% Max. |
| | 006 | 6 | 66.7 | 90 | | | | |
| | 012 | 12 | 33.3 | 360 | | | | |
| | 024 | 24 | 16.7 | 1440 | | | | |
| | 048 | 48 | 8.3 | 5760 \pm 15% | | | | |
| | 060 | 60 | 8.0 | 7500 \pm 15% | | | | |
| | 110 | 110 | 4.3 | 25200 \pm 15% | | | | |

CONTACT RATING

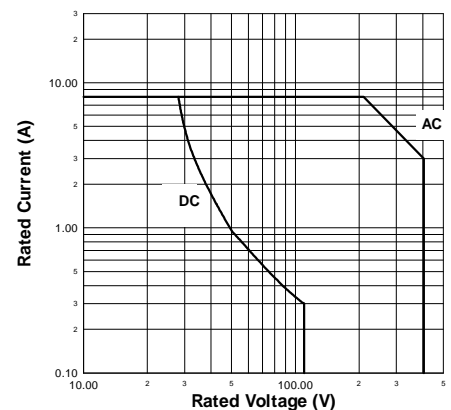
| Item | Type | SPST (1A) , SPDT (1C) | DPST (2A) , DPDT (2C) | |
|-------------------------------------------------|------|-----------------------|-----------------------|-------------|
| | | TRIL-E | TRIL-H | TRIL-M |
| Contact Capacity Resistive Load (cos Φ =1) | | 16A 250VAC | 12A 250VAC | 8A 250VAC |
| Rated Carrying Current | | 16A | 12A | 8A |
| Max. Allowable Voltage | | 250VAC / 125VDC | | |
| Max. Allowable Current | | 16A | 12A | 8A |
| Max. Allowable Power Force | | 4000VA/480 W | 3000VA/360 W | 2000VA/240W |
| Contact Material | | Ag Alloy | | |

REFERENCE DATA

1 Pole 12/16A



2 Pole 8A



PERFORMANCE (at initial value)

| Item | Type | TRIL |
|-------------------------------|------|---------------------------------------------------------------------------------------------------------------------------------------|
| Contact Resistance | | 50m Ω Max (measured at 1A 6VDC). |
| Operation Time | | 7msec Max. |
| Release Time | | 3msec Max. |
| Dielectric Strength | | Between coil & contacts 5000VAC, 1min Between open contacts 1000VAC, 1min Between Contact sets 2500VAC, 1min |
| Insulation Resistance | | 1000 M Ω Min. (500VDC) |
| Operating Ambient Temperature | | -40°C to +70°C |
| Operating Humidity | | 35% to 85% RH |
| Vibration Resistance | | 30 to 150HZ Double Amplitude 1.5mm |
| Shock Resistance | | 100 m/s ² |
| Life Expectancy | | Mechanically 1 \times 10 ⁷ ops. Min. (7200 OPS/Hour) Electrically 1 \times 10 ⁵ ops. Min. (360 OPS/Hour) |
| Weight | | abt. 13.5grs. |
| UL & cUL | | E156406 |

This datasheet for reference and subject to change without notice. Please double check final specification with Tai-Shing.