

Data sheet

Commercial Art.No.: 96.033.0053.0

Connector RST20i3F B2 YR1 GL

RST20i3 connector (90° angled), 3 pole, female, spring clamp connection, application 250V with PE, 20A, for cable diameters 6-10mm, coding color light grey, color of housing light grey



Commercial Art.No.	96.033.0053.0
EAN	4049088000034
Order Unit	1

Certificates / Approvals



LR

RINA



Technical data

General

Rated current	20 A
Rated voltage	250 V
Rated impulse voltage	4 kV
strain relief	yes
Pollution degree	3
Lockable	self-locking (unlocking by tool)
Color of coding/ contact carrier	light grey
Marking of poles	L, N, PE
Color of housing inclusive strain relief	light grey

Connection Data

Cable diameter max.	10 mm
Cable diameter min.	6 mm
Connection cross section solid mm ² max.	2.5 mm ²
Connection cross section solid mm ² min.	0.5 mm ²
Connection cross section solid AWG min.	20 AWG
Connection cross section solid AWG max.	14 AWG
Connection cross section fine stranded mm ² max.	1.5 mm ²
Connection cross section fine stranded mm ² min.	0.5 mm ²
Terminations per pole	2
Connection cross section stranded mm ² min.	0.75 mm ²
Connection cross section stranded mm ² max.	1.5 mm ²
Connection cross section stranded AWG min.	20 AWG

Connection cross section stranded AWG max.	16 AWG
sheath strip length	35 mm
Wire strip length	14.5 mm

Model

Model	female
Connection type	spring clamp connection
Degree of protection (IP)	IP66/68 (3m;2h) /IP69

Material

Housing material	Polyamide
halogen free	yes
Contact material	CuZn
Fire load	0.326 kWh
Insulation components continuous temperature	100 °C
Surface finish	Silver-plated

Dimensions

Length	73.4 mm
Width	34.6 mm
Height	62.3 mm

Classification

ECLASS 11	
ECLASS 8.1	27440605
ETIM 7.0	EC002560
ETIM 6.0	EC002560
ETIM 5.0	EC002560
ETIM 4.0	EC002560

Note

Note	Fine stranded and stranded conductors require cable end sleeve
------	--

Product compliance

ROHS conformity status	Compliant/Exempted
ROHS exceptions	III-6(c)
REACH-SVHC conformity status	Duty-To-Declare
REACH-SVHC substances	Lead
REACH-SVHC CAS numbers	7439-92-1

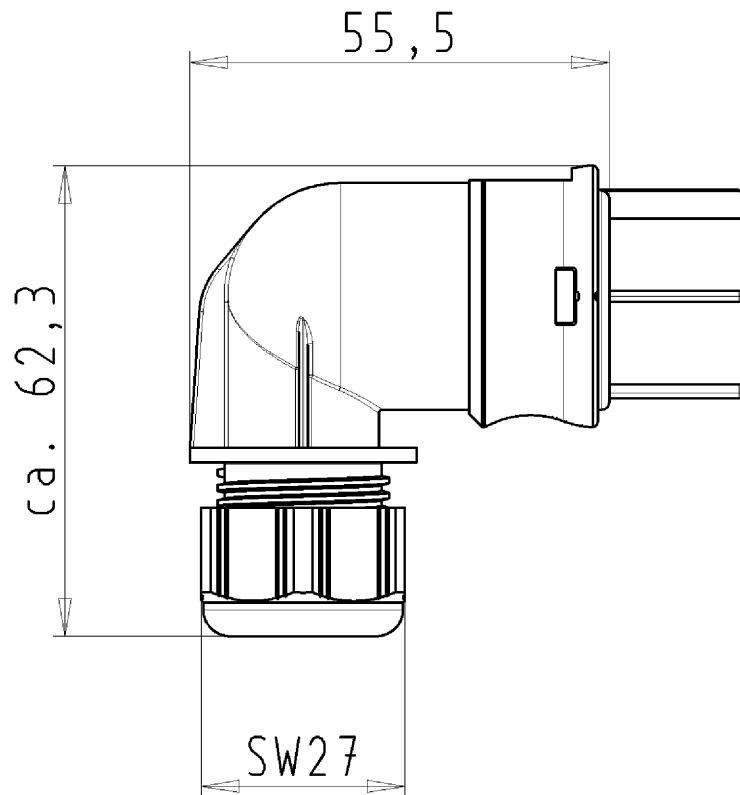
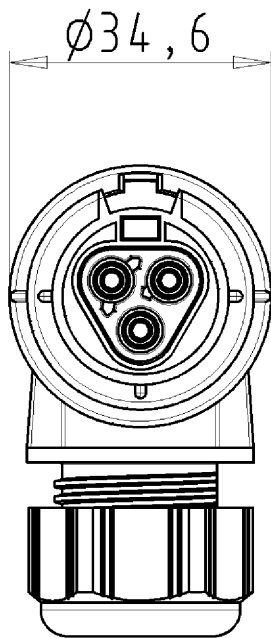
Accessories

Commercial Art.No.:	Article-type description:	Description:
06.502.4300.0	screwdriver DIN 5264 A 0,4 X 2,5	Screw driver according to DIN 5264 A, blade: 0.4x2.5 mm, long and straight version
95.101.1300.0	ferrule crimping tool 0,08 - 10 mm ²	Crimping tool for ferrules, wire strip length: 7-28 mm, nominal cross section: 0,08-10 mm ² , length of tool: 180 mm

06.600.3627.0	ferrules DIN 46228-E1-12	RST end sleeve, for spring clamp contact, with insulating sleeve, for cross section 1.0 mm ² /AWG17
06.600.3727.0	ferrules DIN 46228-E0,75-12	RST end sleeve, for spring clamp contact, with insulating sleeve, for cross section 0.75-1.0 mm ² /AWG17
06.600.3827.0	ferrules DIN 46228-E0,5-10	RST end sleeve, for spring clamp contact, with insulating sleeve, for cross section 0.5 mm ² /AWG20
06.600.3927.0	ferrules DIN 46228-E1,5-12	RST end sleeve, for spring clamp contact, with insulating sleeve, for cross section 1.5 mm ² /AWG16
99.413.6205.2	Cover for female connector GL	RST20i3/2 cover piece, for covering unused female connectors, with fastening belt, color light grey
Z5.564.4553.0	Cover for female connector GL	RST20i3/2 cover piece, for covering unused female connectors, color light grey

Fits with

Commercial Art.No.:	Article-type description:	Description:
96.030.0153.0	Distributor RST20i3V 3P1 F V GL	RST20i3 distribution block, 3 pole, application 250V with PE, 20A, 1 input and 3 outputs, with fastening option, coding color light grey, color of housing light grey
96.032.1053.0	Device connector RST20i3F S2 M01V GL	RST20i3 device connector M25, 3 pole, male, spring clamp connection, application 250V with PE, 20A, coding color light grey
96.233.1030.0	Cable assembly RST20i3K1BS 25 10GL	RST20i3 extension cable female - male, 3 pole, assembled with shrinkage tube, application 250V with PE, 20A, cable type H07RN-F, length 1.0m, cross section 2.5mm ² , coding color light grey
96.032.0053.0	Connector RST20i3F S2 ZR1 V GR	RST20i3 connector, 3 pole, male, spring clamp connection, application 250V with PE, 20A, for cable diameters 6-10mm, coding color light grey, color of housing light grey
96.032.2153.0	Device connector RST20i3F S2 M03V GL	RST20i3 device connector M16, 3 pole, male, spring clamp connection, modular, application 250V with PE, 20A, coding color light grey, color of housing light grey
96.032.2053.0	Device connector RST20i3F S2 M00V GL	RST20i3 device connector M20, 3 pole, male, spring clamp connection, modular, application 250V with PE, 20A, coding color light grey, color of housing light grey
96.034.2053.0	Device connector RST20i3F S2 M90V GL	RST20i3 device connector (90° angled) M20, 3 pole, male, spring clamp connection, modular, application 250V with PE, 20A, coding color light grey, color of housing light grey
96.036.2153.0	Device connector RST20i3F S2 M13V GL	RST20i3 device connector (7° angled) M16, 3 pole, male, spring clamp connection, modular, application 250V with PE, 20A, coding color light grey, color of housing light grey



BUCHSENTEIL MIT ZUGENTLASTUNG

96.033.0053.0 10W

13.08.2008 LUS

M 1:1