

Data sheet

Commercial Art.No.: 46.051.4553.9

Connector RST16i5 S B1 ZT6S H BL

RST16i5 connector, 5 pole, female, screw connection, application 250/400V, 16A, for cable diameters 7.1-13mm, coding color light blue, color of housing black



Commercial Art.No.	46.051.4553.9
EAN	4049088268694
Order Unit	1

Certificates / Approvals



LR

RINA



Technical data

General

Rated current	16 A
Rated voltage	250 V / 400 V
Rated impulse voltage	4 kV
strain relief	yes
Pollution degree	3
Lockable	self-locking (unlocking by hand)
Color of coding/ contact carrier	light blue
Marking of poles	1, 2, 3, 4, 5
Color of housing inclusive strain relief	black

Connection Data

Cable diameter max.	13 mm
Cable diameter min.	7.1 mm
Connection cross section solid mm ² max.	2.5 mm ²
Connection cross section solid mm ² min.	0.25 mm ²
Connection cross section fine stranded mm ² max.	2.5 mm ²
Connection cross section fine stranded mm ² min.	0.25 mm ²
Terminations per pole	1
sheath strip length	25 mm
Wire strip length	8 mm

Model

Model	female
Connection type	screw connection
Degree of protection (IP)	IP66/68 (3m;2h) /IP69

Material

Housing material	Polyamide
halogen free	yes
Contact material	CuZn
Fire load	0.176 kWh
Insulation components continuous temperature	100 °C
Surface finish	Silver-plated

Dimensions

Length	81 mm
Width	24.9 mm
Height	24.9 mm

Classification

ECLASS 11	
ECLASS 8.1	27440605
ETIM 7.0	EC002560
ETIM 6.0	EC002560
ETIM 5.0	EC002560
ETIM 4.0	EC002560

Note

Note	RST® terminals with screw clamping allow the connection of conductors without special preparation (without ferrules) according to EN 60999-1.
------	---

Product compliance

ROHS conformity status	Compliant/Exempted
ROHS exceptions	III-6(c)
REACH-SVHC conformity status	Duty-To-Declare
REACH-SVHC substances	Lead
REACH-SVHC CAS numbers	7439-92-1

Fits with

Commercial Art.No.:	Article-type description:	Description:
46.052.5053.9	Device connector RST16i5 S S1 M03 H BL	RST16i5 device connector M20,2, 5 pole, male, screw connection, application 250/400V, 16A, coding color light blue
46.050.0153.9	Distributor RST16i5B 3P1 F G V BL	RST16i5 compact distribution unit, 5 pole, application 250/400V, 16 A, 1 input and 3 outputs, fastening option, coding color light blue, color of housing black
46.052.4553.9	Connector RST16i5 S S1 ZT6S H BL	RST16i5 connector, 5 pole, male, screw connection, application 250/400V, 16A, for cable diameters 7.1-13mm, coding color light blue, color of housing black
46.052.M053.9	Device connector RST16i5 S D03 MBL	RST16i5 modular device connector M20, 5 pole, male, spring clamp connection, with automatic wiring option, application 250/400V, 16A, coding color light blue
46.052.M0L0.9	Device connector RST16i5 2 D03 MBL	RST16i5 modular device connector with longitudinal sealing M20, 5 pole, male, spring clamp connection, with automatic wiring option, application 250/400V, 16A, coding color light blue

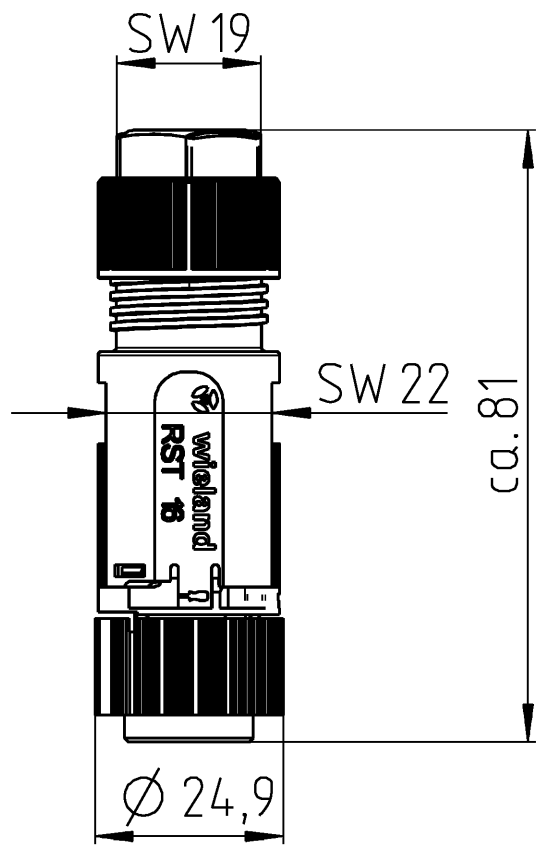
46.050.1253.9	Distributor RST16I5V 2P1 TGVGA TB	RST16i5 distribution block, 5 pole, application 250/400V, 16 A, 1 input and 2 outputs, fastening option with separate mounting plate, coding color light blue
---------------	-----------------------------------	---

A Weitergabe sowie Vervielfältigung dieses Dokuments, Verwertung und Mitteilung seines Inhalts sind verboten, soweit nicht ausdrücklich gestattet. The reproduction, distribution and utilization of this document as well as the communication of its contents to others without express authorization is prohibited.

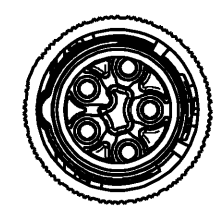
B These dimensions will be especially checked at delivery
 Only inspection dimensions
 With /E marked dimensions are only valid for internal use

C Diese Maße werden bei Abnahme besonders geprüft
 Ausschließlich Prüfmaße
 Mit /E gekennzeichnete Maße sind nur für interne Zwecke gültig

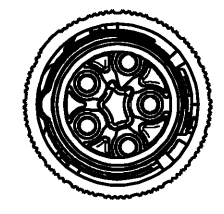
F



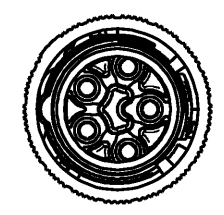
Kodierung/
coding



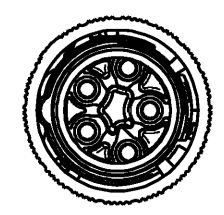
C1



C2

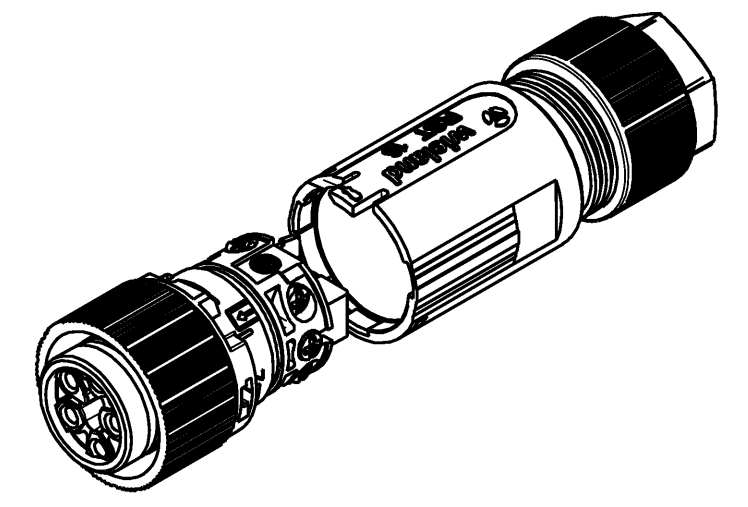
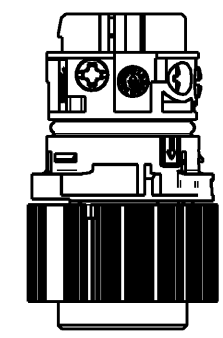
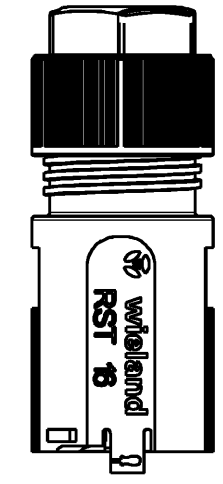


C3



C4

Auslieferungszustand/
delivery condition



46.051.4553.9	RST1615 S B1 ZT6S H BL	C4	lichtblau/ light blue
46.051.4550.4	RST1615 S B1 ZT6S L BR	C3	signalbraun/signal brown
46.051.4553.6	RST1615 S B1 ZT6S A TB	C2	türkisblau/turquoise blue
46.051.4553.1	RST1615 S B1 ZT6 SW	C1	schwarz/black
46.051.4553.0	RST1615 S B1 ZT6 GL	C1	lichtgrau/light grey
Bestellnummer/ order number	Typ/type	Kodierung/ coding	Farbe/color

Weitere Daten siehe KATALOG oder eKatalog. www.wieland-electric.com
 Additional data see CATALOG or eCatalog. eshop.wieland-electric.com

Tolerierung Size ISO 14405 (E) / Tolerance system Size ISO 14405 (E). (This ISO-standard describes the envelope principle. According to the envelope principle the deviations of form and parallelism are limited by the size tolerances). ja/yes Stoffverbots- und Deklarationsliste nach WN 5020.010 ist einzuhalten. Conformity with Wieland document WN 5020.010 e (list of prohibited / declarable hazardous substances) to be declared!

Freitoleranz nach General tolerance CAD - Zeichnung, keine manuellen Änderungen CAD - drawing, no manual modifications allowed 1. Verwendung: First Use: Blatt: 1 von 1 Sheet: 1 of 1

Werkstoff / Material		Tag/Date	Name	Zeichnung Nr. / Drawing No.		Index
Maßstab / Scale		gezeichnet/drawn	01.09.2014	Treschan	T 46.051.4553.0 13K	a
1:1		geprüft/checked				
Vol. mm ³ Dfl./Srf. mm ²		Normgepr. Stand. check				
a 03.04.2019 / Datum / Blatt Date / Sheet		Ersatz für / Replacement for:		Type	Benennung/Title	
Index Änderung / Revision		www.wieland-electric.com		BUCHSENTEIL mit Zugentlastung, 5-polig female connector with strain relief 5 poles		