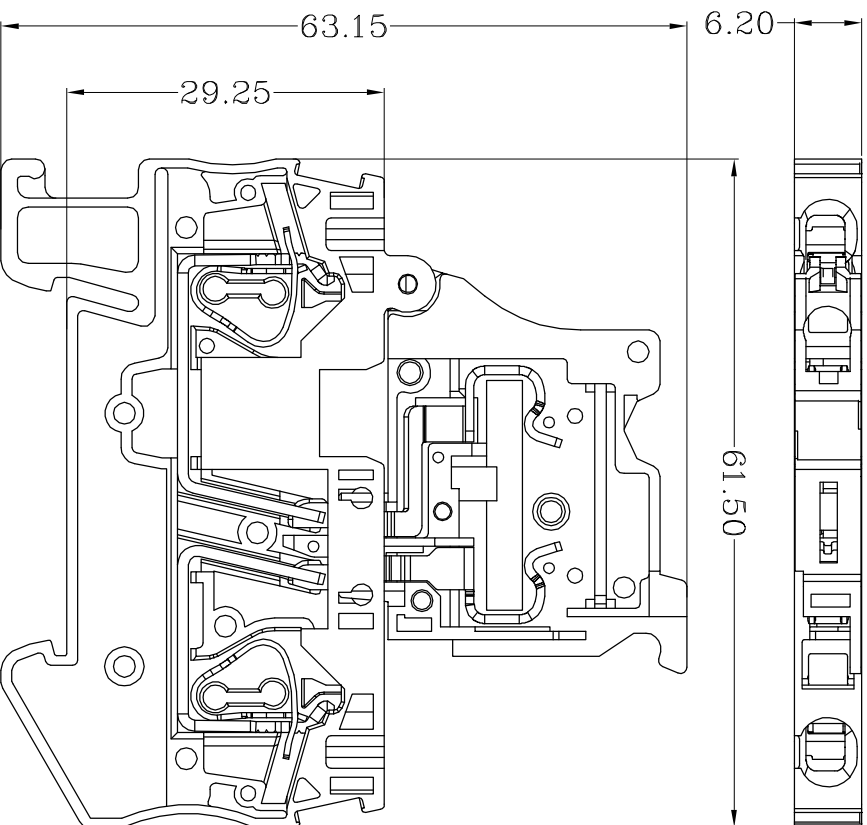




# 宁波速普电子有限公司

NINGBO SUPPU ELECTRONICS.CO.,LTD

产品规格书  
Product Specification



订货信息 Order Info

订货号 PART NUMBER	颜色 COLOR
TC4-FUSE-BK	黑色 Black

未标注公差参照GB/T14486

基本尺寸	0-3	>3-6	>6-10	>10-14	>14-18	>18-24	>24-30	>30-40	>40-50	>50-65	>65-80	>80-100	>100-120	>120-140
公差	±0.08	±0.09	±0.10	±0.12	±0.14	±0.16	±0.18	±0.21	±0.24	±0.28	±0.32	±0.36	±0.41	±0.46

IEC 额定数据/ IEC Rated data		
接线范围/Wire range		0.2-6mm <sup>2</sup>
单股导线/Solid		0.2-6mm <sup>2</sup>
软导线/Stranded		0.2-4mm <sup>2</sup>
带端头软导线/Stranded with ferrules without plastic sleeve		0.2-4mm <sup>2</sup>
带预绝缘端头软导线/Stranded with ferrules with plastic sleeve		0.2-4mm <sup>2</sup>
剥线长度/Strip length		10mm
额定电压/Rated voltage		500V
额定电流/Rated current		6.3A(电流取决于保险管)
额定脉冲耐受电压/Rated surge voltage		6kV
污染等级/Pollution degree		3
过电压类别/Surge voltage category		III
UL 额定数据/UL Rated data		B C D
额定电流/Rated current		10A 10A -
额定电压/Rated voltage		300V 300V -
接线范围/Wire range		24-10AWG
其他信息/Other information		
塑件/Housing		PA66
触点材料/Contact		铜合金/Copper alloy
镀层/Coating		锡/Tin
阻燃等级/Flame retardant rating		V0
使用环境温度/Usage ambient temperature		-25℃ - +70℃
储存及运输环境温度/Storage ambient temperature		-40℃ - +85℃
导轨尺寸/rails Size		SP357.5/SP35X15
<b>认证/Approval</b>		
	Rev. 01	Name TC4悬臂式保险管端子 TC4 lever-type fuse terminal block
单位/Unit	mm	