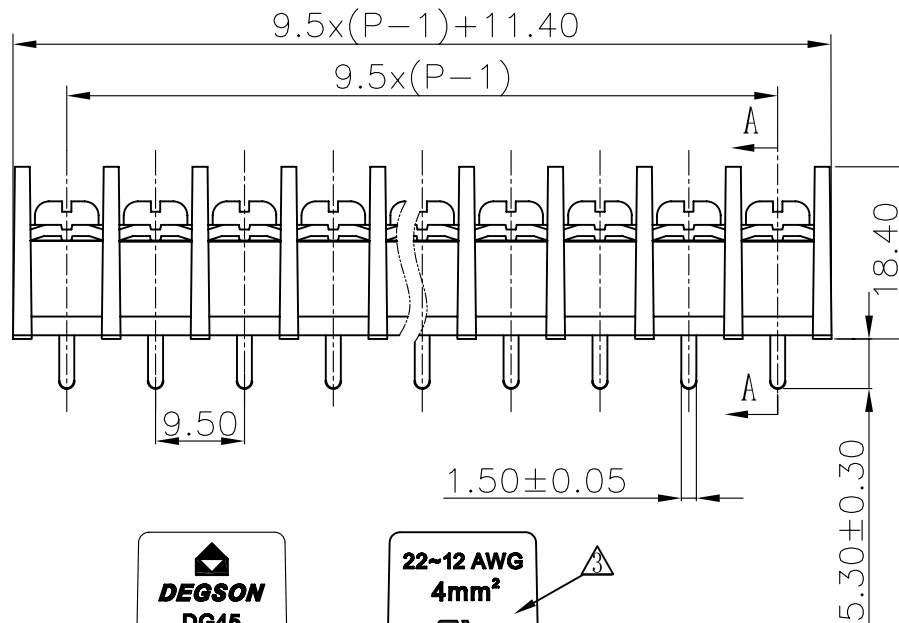
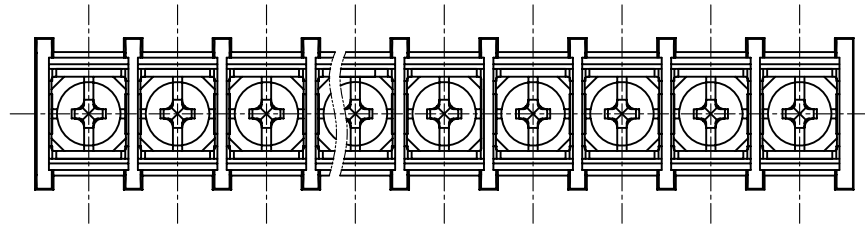


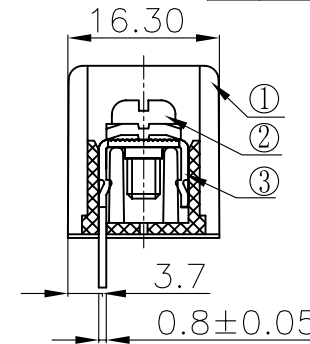
REVISION RECORD					
REV	ECO	DESCRIPTION	DRFT	DATE	
⚠		name numbers: S000001110(H) → S000000570(H) Plating Zinc related → Ni plated	DZJ	09/15/05*	
⚠		增加UL刻字	CSX	07/04/06	
⚠	ECN10-0104	去掉UL中的小“R”	Lasting.He	05/04/10	

Notes:

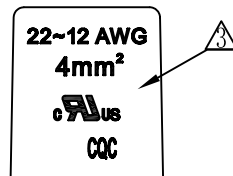
1. Pitch: 9.5mm Poles: 2-26P
2. Rated current: 25A
3. Rated voltage: 300V
4. Operation temperatures: -40° C ~ +105° C
5. Insulation Withstand Voltage: AC2000V/1Min
6. Insulation Resistance: 500MΩ / DC500V
7. Wire Range: 22~12AWG
8. Max. Torque Value: 12.24kgf. cm
9. Undimensioned Tolerances:



Pitch range in mm			Normal dimension range in mm					
to	over	to	to	over	over	over		
6	10	24	6	30	90	200	480	
±0.10	±0.15	±0.25	±0.1	±0.2	±0.3	±0.5	±0.7	0.06/10



Section A-A



1	DG45S-B-00A Housing	5003A0YXXA(H)	1	PA66	UL94V-0
ITEM	NAME OF PART	NO. OF PART	Q'TY	MATERIAL	NOTES
TOLERANCES EXCEPT AS NOTED		DFTO DZJ	DATE 09/02/05*	宁波高正电子有限公司 DEGSON ELECTRONICS CO., LTD NAME: DG45S-B-XXP-1Y-00A(H)	
MM (INCH)		CHKD	DATE		
.0 ±		MFO	DATE		
.00 ±		APPVL	DATE		
.000 ±		MATERIAL :		DRAWING NO. DG45S-E10	
ANGLES ± 1°		G.E :		/PART NO.	
THIRD ANGLE PROJECTION		FINISH :		SCALE : 1:1	
DO NOT SCALE DRAWING			SHEET 1 OF 1		

3	DG45S Pin header	5003B00080(H)	XX	Brass	SnCe
2	4*8(7.5*7.5)Bright Screws	S000000570(H)	XX	Steel	Ni plated