

## Data sheet

Commercial Art.No.: 70.350.3235.1

Hood BAS GOT GA 32 M32 50 A1

Hood revos basic made of aluminum, for double locking lever or. screw cap with threaded hole M32 on the right side, low version, 32-poles



Commercial Art.No.	70.350.3235.1
EAN	4015573627000
Order Unit	1

Certificates / Approvals



## Technical data

### General

Housing material	aluminum
Color	Grey
Surface	With powder coating
Degree of protection (IP)	Other
UV resistant	yes
Inflammability class of insulation material acc. with UL94	Other
Operating temperature range min.	-40 °C
Operating temperature range max.	120 °C

### Model

Construction	32
Locking mechanism	Double locking levers
Cable entry	Sideways
Type of cable	Thread
With cable screw gland	No
Thread size M	32
Thread size PG	
Hinged lid	No
EMC-version	No
Length	94 mm
Width	83 mm
Height	94 mm

### Classification

ECLASS 11	
ECLASS 8.1	27440202
ETIM 7.0	EC000437
ETIM 6.0	EC000437
ETIM 5.0	EC000437
ETIM 4.0	EC000437
ETIM 3.0	EC000437

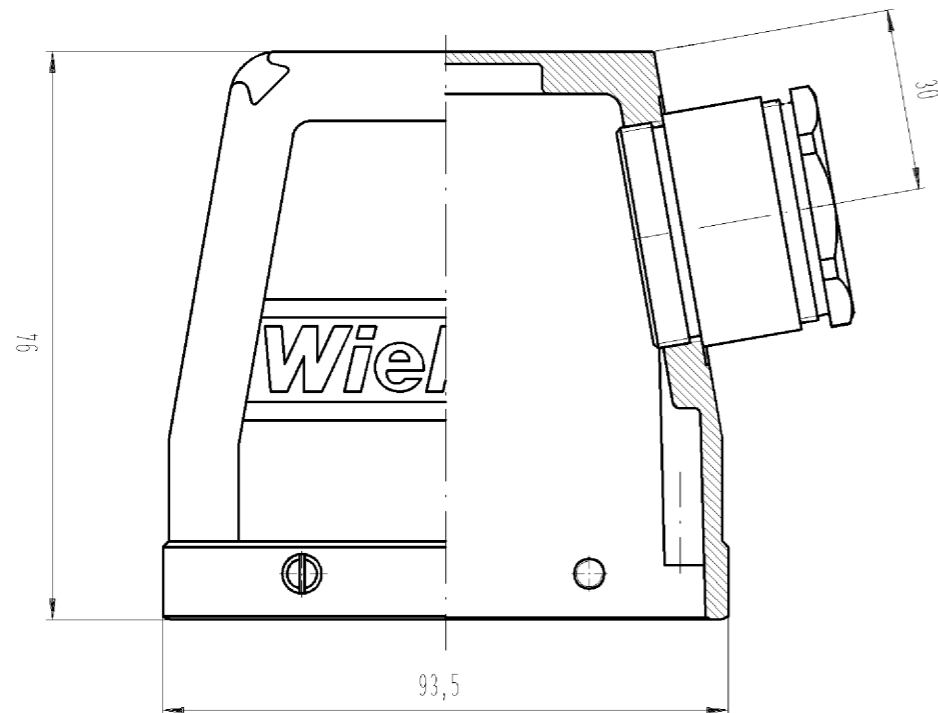
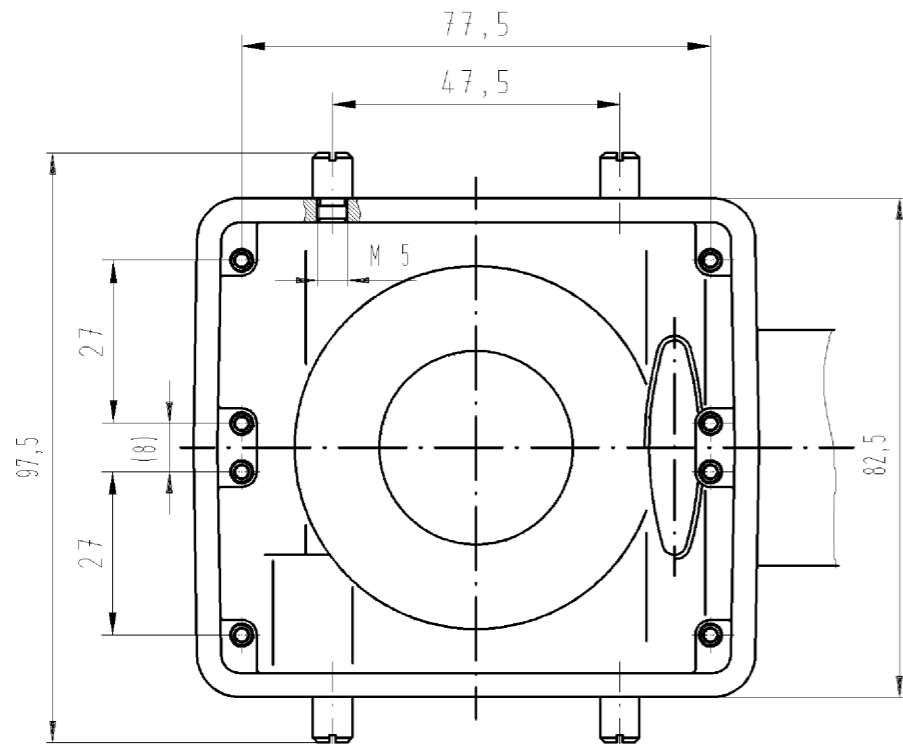
**Product compliance**

ROHS conformity status	Compliant
REACH-SVHC conformity status	Compliant

**Fits with**

Commercial Art.No.:	Article-type description:	Description:
70.300.3253.0	Female insert BAS BUS 32 2,5 50	Female insert revos basic, 32-poles, rated current: 16A, rated voltage:500V, with tin-plated contacts
70.310.3253.0	Male insert BAS STS 32 2,5 50	Male insert revos basic, 32-poles, rated current: 16A, rated voltage: 500V, with tin-plated contacts
70.500.3253.0	Female insert BAS BUF 32 2,5 50	Female insert revos basic, 32-poles, rated current: 16A, rated voltage:500V, with tin-plated contacts
70.510.3253.0	Male insert BAS STF 32 2,5 50	Male insert revos basic, 32-poles, rated current: 16A, rated voltage: 500V, with tin-plated contacts
70.700.3253.0	Female insert BAS BUC 32 50	Female insert revos basic, 32-poles, rated current: 16A, rated voltage:500V, with tin-plated contacts
70.710.3253.0	Male insert BAS STC 32 50	Male insert revos basic, 32-poles, rated current: 16A, rated voltage: 500V, with tin-plated contacts
72.300.3253.0	Female insert BAS BUS 32 2,5 69	Female insert revos basic, 32-poles, rated current: 16A, rated voltage:690V, with tin-plated contacts
72.310.3253.0	Male insert BAS STS 32 2,5 69	Male insert revos basic, 32-poles, rated current: 16A, rated voltage: 690V, with tin-plated contacts
73.700.8058.0	Female insert HD BUC 80 25	revos BASIC HD 80 pole + ground, female insert 250V/10A, crimp connection
73.710.8058.0	Male insert HD STC 80 25	revos BASIC HD 80 pole + ground, male insert 250V/10A, crimp connection

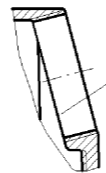
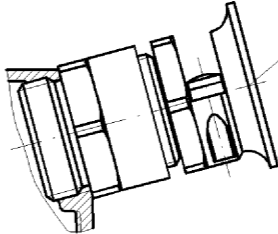
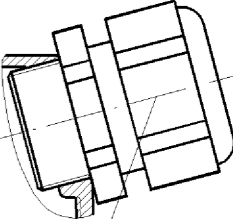
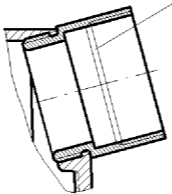
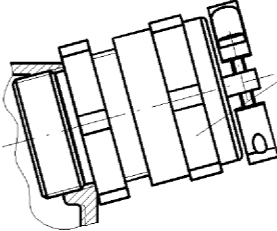
Diese Maße werden bei Abnahme besonders geprüft  
 Ausschließlich Prüfmaße  
 Mit /E gekennzeichnete Maße sind nur für interne Zwecke gültig




Ausführung .0  
version .0

Kabelverschraubung M32  
cable gland M32

Teile-Nr. part no.	Typ type
70.350.3235.0	BAS GOT GA 32 M32 50 A0
70.350.3235.1	BAS GOT GA 32 M32 50 A1
70.350.3235.2	BAS GOT GA 32 M32 50 A2
70.350.3235.3	BAS GOT GA 32 M32 50 A3
70.350.3235.4	BAS GOT GA 32 M32 50 A4
70.350.3235.5	BAS GOT GA 32 M32 50 A5

 Gewinde M32 thread M32  <u>Ausführung .1</u> <u>version .1</u>	 Kabeldurchführung M32 mit Zugentlastung und Biegeschutz cable gland M32 with strain relief and bending protection  <u>Ausführung .3</u> <u>version .3</u>	 <u>Ausführung .5</u> <u>version .5</u>  Kabelverschraubung M32 cable gland M32  IP 65
 Stützen M32 intermediate support with thread M32  <u>Ausführung .2</u> <u>version .2</u>	 Kabelverschraubung M32 mit Zugentlastung und Knickschutz cable gland M32 with strain relief an kink protection  <u>Ausführung .4</u> <u>version .4</u>	

Freitoleranz nach		CAD - Zeichnung, keine manuellen Änderungen			1. Verwendung: -		Bl.: 1 von 1	
	/	Maßstab	Werkstoff und Oberfläche:		2003	Tag	Name	
	/	%	Farbe: silbergrau		Entworfen	10.07.	Bauer F.	
	/		colour: silvergry		Geprüft	-	-	
	/	Vol.	mm <sup>3</sup>	Off.	mm <sup>2</sup>	Normgepr.	-	
	/	 <b>wieland</b>		Benennung		<b>GEHAEUSEOBERTE IL</b> Größe 32 bzw. 80 / M32 schmale Seite HOOD size 32 or rather 80 / M32 narrow side		
Buchstabe	Datum / Blatt	Änderung		Elektrische Verbindungen				

Weitergabe sowie Vervielfältigung dieses Dokuments, Verwertung und Mitteilung seines Inhalts sind verboten, soweit nicht ausdrücklich gestattet. Die Reproduktion, Distribution und Utilization of this document as well as the communication of its contents to others without express authorization is prohibited.

1  
2  
3  
4  
5  
6  
7  
8  
9  
10  
11  
12  
13  
14  
15  
16  
17  
18  
19  
20  
M1  
M2  
M3  
L  
G  
1.1  
2.1  
1.1