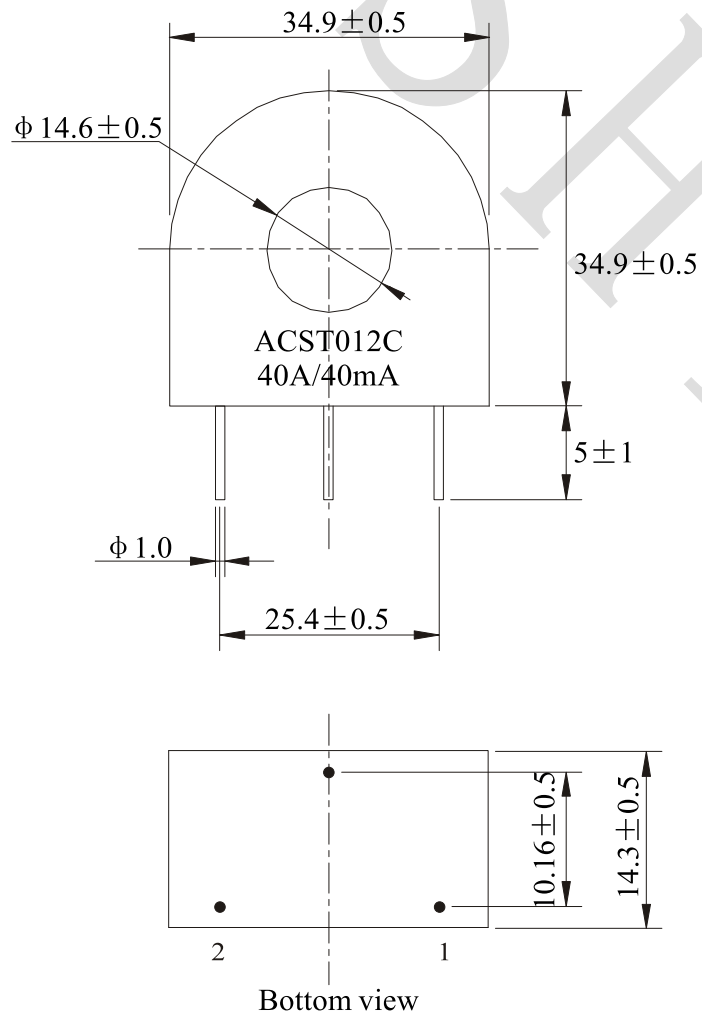
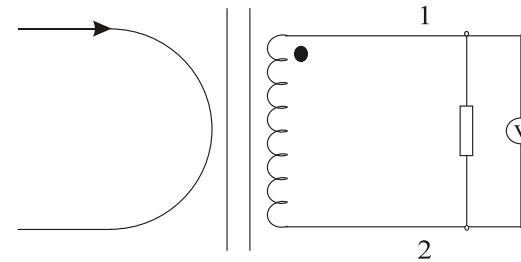




1. PHYSICAL CHARACTERISTICS (mm)



2. ELECTRONICAL SCHEMATIC



3. ELECTRONICAL SPECIFICATIONS

- Turns ratio: 1000:1
- Rated current: 40A
- Output current: 40mA@40A Input
- Hi-Pot: Pri to Sec AC4KV 1mA 1Min
- RDC: $29.3 \Omega \pm 15\%$ @T=20°C
- Storage temperature: -55°C to +130°C

NOTES:
Temp 20°C 48%RH
RoHS Compliant

NAME:		Current transformer	
CUSTOMER P/N:	AC1040	DATE:	2022-08-05
SHINHOM P/N:	ACST012C-40A-40mA	REV: A0	PAGE: 1/1
DRAWN BY	CHECKED BY	APPROVE BY	



SHINHOM
SHAANXISHINHOM ENTERPRISE CO.LTD

The Document property belong to SHINHOM & is not allowed to be duplicated without authorization