

PRODUCT SPECIFICATION

Model No.: FYL-3014UWC1A

Descriptions:
■ Dice material: InGaN.
■ Emitting Color: Super Bright White.
■ Device Outline: Φ3mm Round Type.
■ Lens Type: Water clear.



CUSTOMER APPROVED SIGNATURES	APPROVED BY	CHECKED BY	PREPARED BY

NINGBO FORYARD OPTOELECTRONICS CO.,LTD.

Add: NO.115 Qixin Road Ningbo Zhejiang China

Zip: 315051

Tel: 0086-574-87933652 87927870 87922206

Fax: 0086-574-87927917

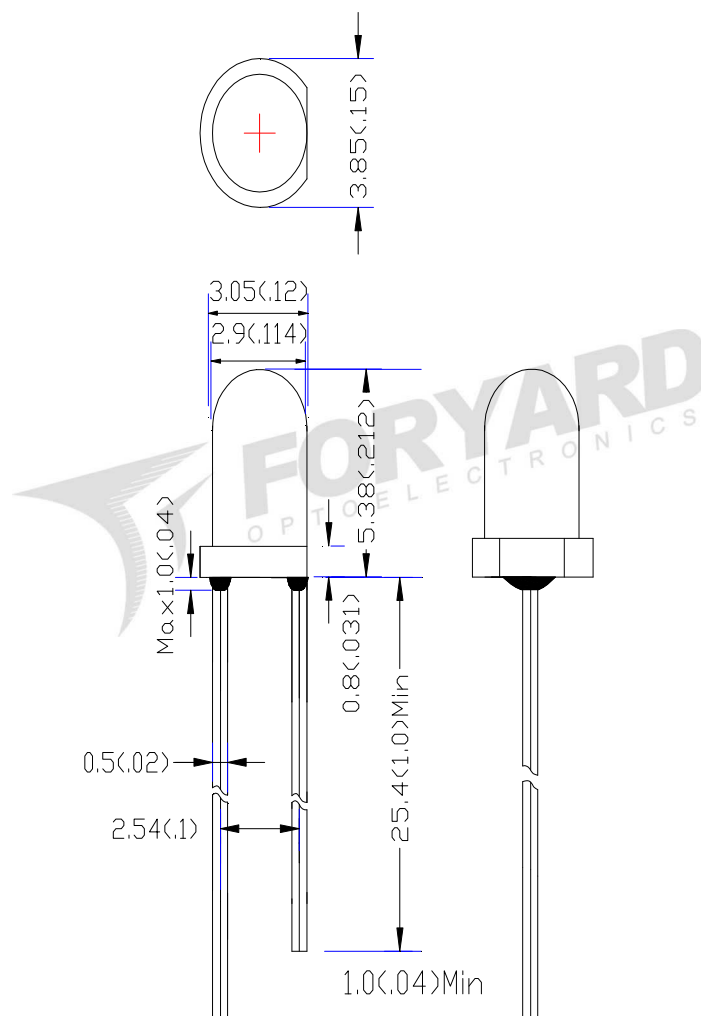
E-mail: Sales@foryard.com (General)

[Http://www.foryard.com](http://www.foryard.com)

■ **Features**

1. Low power consumption.
2. High efficiency.
3. General purpose leads.
4. High intensity.
5. RoHs compliant.

■ **Package configuration**



Notes:

1. All dimensions are millimeters (inches)
2. Tolerance is $\pm 0.25\text{mm} (.010\text{")}$ unless otherwise noted.
3. The specifications, characteristics and technical data described in the datasheet are subject to change without prior notice.

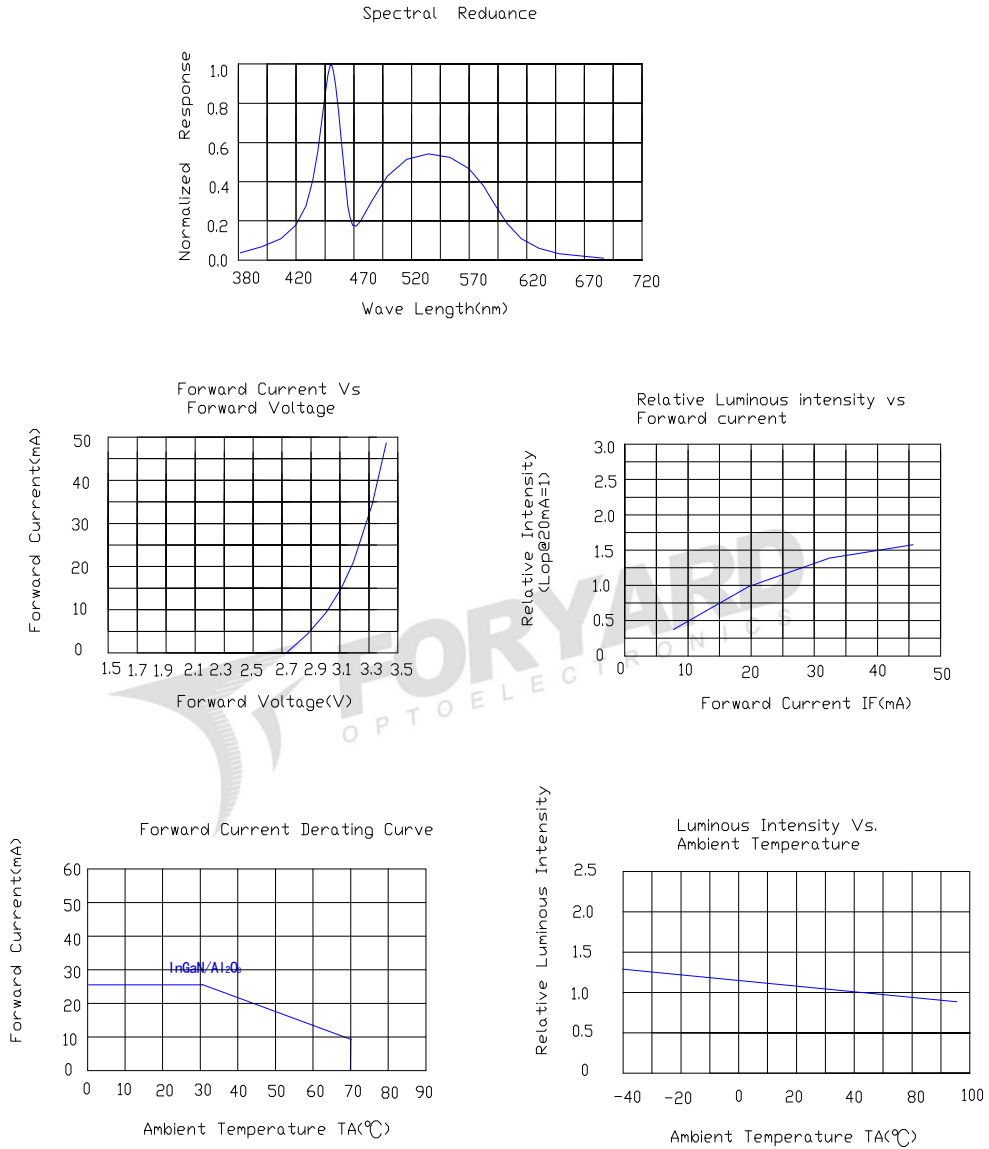
■ Absolute maximum ratings(Ta=25 ° c)

Parameter	MAX.	Unit
Power Dissipation	90	mW
Peak Forward Current (1/10 Duty Cycle, 0.1ms Pulse Width)	100	mA
Continuous Forward Current	25	mA
Derating Linear From 50°C	0.4	mA/°C
Reverse Voltage	5	V
Operating Temperature Range	-40°C to +85°C	
Storage Temperature Range	-40°C to +100°C	
Lead Soldering Temperature[4mm(.157") From Body]	260°C for 5 Seconds	

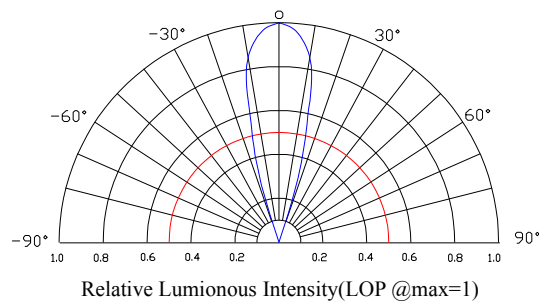
■ Electrical and optical characteristics(Ta=25 ° c)

Parameter	Symbol	Min.	Typ.	Max.	Unit	Test Condition
Luminous Intensity	I _v	8000	12000	15000	mcd	I _F =20mA
Viewing Angle	2θ _{1/2}	25	30	35	Deg	
Chromaticity coordinates	X	-	0.29			
	Y		0.30			
Color temperature	CCT	-	9500	-	K	
Forward Voltage	V _F	2.8	3.2	3.6	V	
Reverse Current	I _R			10	μA	V _R =5V

■ **Typical Electrical Characteristics Curves**
(25 °c Ambient Temperature Unless Otherwise Noted)

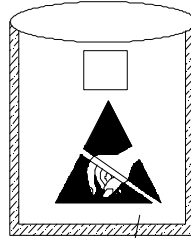


Radiation pattern.

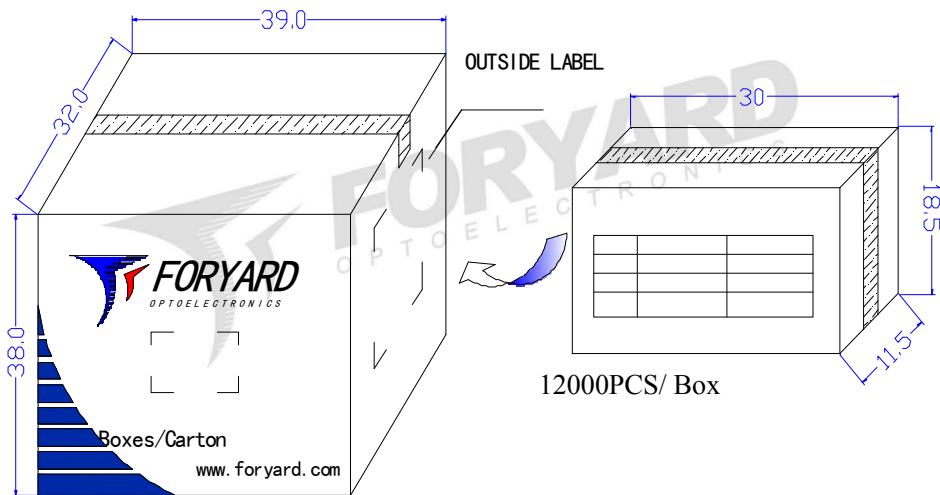
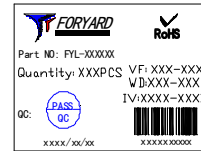


Model. No.	FYL-3014UWC1A
Rev.	A

■ LAMP PACKING.



3mm 1000PCS/Polybag



72000PCS/ Carton



OUTSIDE LABEL